

Product End of Life Notice

Rev 3/2017

Apollo to PAX Lite Panel Meter Comparison



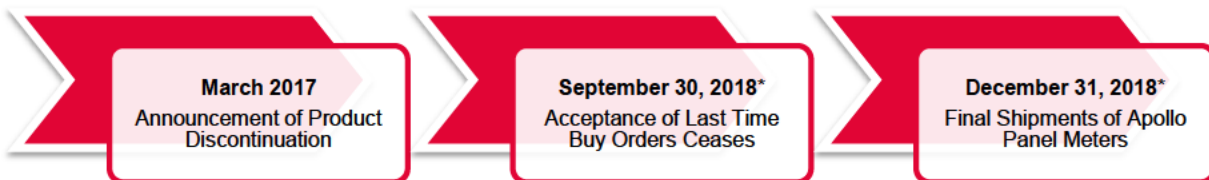
Introduction

The Apollo Series was introduced in 1988, marking Red Lion's first entry into the digital panel meter market. In 2003 the PAX Lite was released as an alternative for the Apollo Series. PAX Lite features full plastic construction, switch selectable power, DIP switch programmable inputs, and a better price position. For nearly three decades the Apollo Series has served the market; however, given the features and benefits of the PAX Lite products it is time to announce the discontinuation of the Apollo Series panel meters.

This document describes the discontinuation, details the alternatives available and provides information on how their features compare with the Apollo products.

Timing

Red Lion Controls intends to honor the standard warranty obligation for this product when ordered and delivered in accordance with the following transition schedule:



March 2017

- Announcement to customers
- Red Lion begins accepting non-cancellable, non-returnable last time buy orders
- Orders may be scheduled for delivery between now and December 31, 2018

September 30, 2018

- General availability of Apollo panel meters ceases
- Acceptance of last time buy orders concludes

December 31, 2018

- Shipment of Apollo panel meters stops

Why is this transition taking place?

The PAX Lite panel meters were designed with new features that meet or exceed those available on the Apollo panel meters. Despite their continued value and reliability, sustaining the Apollo line is no longer possible.

What happens to my current investment in Apollo panel meters?

Maintaining excellent compatibility for easy and cost-effective transition is an important design criterion when designing next generation products. Red Lion Controls suggests the PAX Lite panel meters as a replacement for the Apollo panel meters. The PAX Lite products provide certifications and improved functionality at a lower price while still maintaining brand-leading compatibilities.

*Dates may be subject to change depending on product sales

Comparison of Apollo Panel Meters and PAX Lite Panel Meters

The PAX Lite panel meters are the suggested replacement for the Apollo panel meters. The chart below compares the features of the two products.

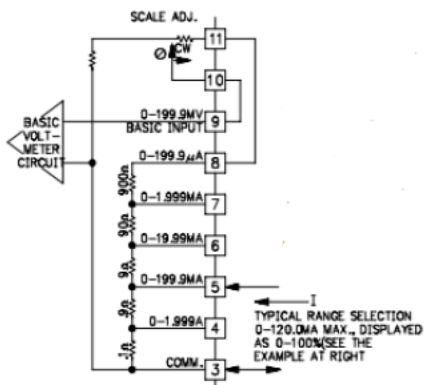


Apollo Panel Meter

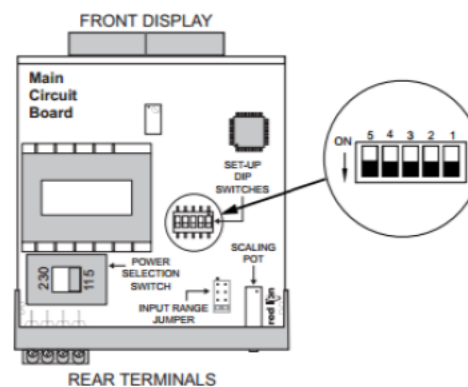


PAX Lite Panel Meter

	Apollo Panel Meters	PAX Lite Panel Meters
Part Number	See list below	
Power	Model dependent, selected when ordering	Switch selectable 115/230 VAC
Construction	Metal bezel	Plastic
Connections	Removable terminal	Fixed terminal
Input	Model dependent	Model dependent
Display Type	Red LED	Red LED
Display Height	0.56 in	0.56 in
Mounting Considerations		Direct replacement



Apollo Input Connections



PAX Lite Input Switches