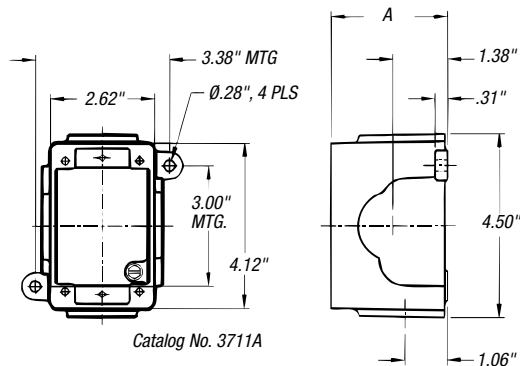


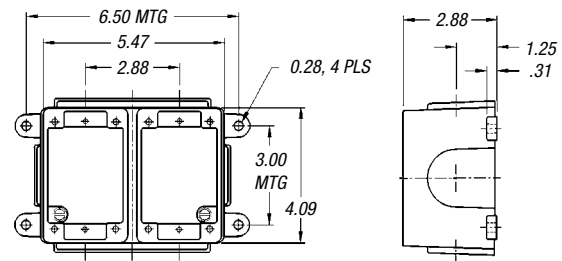
## Computer System Interconnections

All Conduit Boxes/Angle Adapters are Copper-Free, Cast Aluminum, Epoxy Powder Coat Finish.

### Conduit Boxes (for Surface Mounting)



Catalog No. 3711A



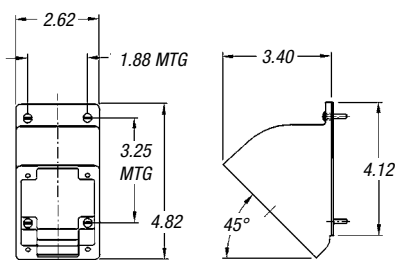
Catalog No. 3712A



RECEPTACLE SIZE	CAT. NO.	
	SINGLE-GANG	DOUBLE-GANG
20, 30 and 50 Amp	3711A	3712A
60 Amp*	JB6-1	—
50 Amp	3781A	—

\* Various mounting options available. 4" deep (not shown)

### Angle Adapter



Catalog Number 3678A

RECEPTACLE SIZE	CAT. NO.	
	45°	20°
20, 30 and 50 Amp	3678A	—
60 Amp*	JAA6-45	JAA6-AB6

Mounts to conduit boxes to angle receptacle downward for easier access, no moisture retention on surfaces and better plug-cable drop bend relief.

\* Various mounting options available.

### Conduit Adapter

Kit includes gland nuts for plugs or connectors.



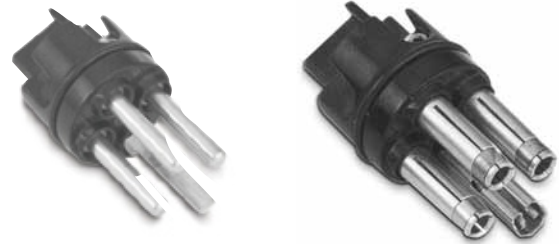
PLUG/CONNECTOR SIZE	TAPPED HOLE SIZE	CAT. NO.		
		FS/FD™	SPEC GRADE	DURAGARD®
20 Amp	1/2"	FSA11	—	9X2C50
	3/4"	FSA12	—	9X2C75
	1/2"	FSA21	—	9X3C50
30 Amp	3/4"	FSA22	—	9X3C75
	1"	FSA23	—	—
50 Amp	3/4"	—	—	9X5C75
	1"	—	—	9X5C10
60 Amp	3/4"	JPA62	—	—
	1"	JPA63	—	—
Angle Type	1 1/4"	JPA64	—	—
	1 1/2"	JPA65	—	—

## Computer System Interconnections

### Plug/Connector Replacement Items

	SPEC GRADE	DURAGARD®	SPEC GRADE	DURAGARD®	
Item Color	Blue	Yellow	Blue	Yellow	Black
Plug/Connector Amperage	20A	20A	30A	30A	50A
Gland Nut	C17077C	C17077A	C17076CX	C17076AX	C17076BX
Nylon Locking Screw	N/A	NA	B16983	B16983	B16983
Bushing, Clamp, Nut and Screw Kit (Inc. Nylon Locking Screw — 30/50A)	B17019CPR	B17019APR	B17018CPR	B17018APR	B17018BPR
Bushings	To Spec	To Spec	To Spec	To Spec	To Spec
Glide Washer	863-8	863-8	500RS	500RS	500RS
Gland Nut Assembly	B17019CR	B17019AR	B17018CR	B17018AR	B17018BR

**Note:** Minimum purchase quantities apply.



### Replacement Interiors

AMPERAGE			VOLTAGE POLARIZATION	CAT. NO.	
				MALE INTERIOR ASSEMBLY	FEMALE INTERIOR ASSEMBLY
—	—	125VAC		9XM23U1	9XF23U1
2P3W	20	250VAC		9XM23U2	9XF23U2
—	—	Through 600VAC/250VDC		9XM23U0	9XF23U0
2P3W	30	Through 600VAC/250VDC		9XM33U0	9XF33U0
2P3W	50	Through 600VAC/250VDC		9XM53U0	9XF53U0
3P4W	20	Through 600VAC/250VDC		9XM24U0	9XF24U0
3P4W	30	Through 600VAC/250VDC		9XM34U0	9XF34U0
3P4W	50	Through 600VAC/250VDC		9XM54U0	9XF54U0

**Notes:** For replacement bushings, see DuraGard® section, page H-371.

Interiors with ground straps are specials.