

## FS/FD™ Metallic Connections

### For Plugs and Connectors

#### Combination Gland Nut and Cable Clamp



Provides extra clamping protection in hard service applications. Relieves terminals and rubber gland of all cable strain.

PLUG OR CONNECTOR SIZE	CAST ALUMINUM CAT. NO.	CAST BRASS CAT. NO.	MAX. CABLE DIA.
EX: 3913 10–20 Amp	3905	3905B	.62"
EX: 3934 20/30 Amp	3906	3906B	1.12"

Material — Cast aluminum, corrosion-resistant copper-free alloy; cast brass, epoxy powder coat finish.

#### Conduit Adapters



Adapter tapped with NPT thread to accommodate armored and non-metallic cable or flexible conduit.

PLUG OR CONNECTOR SIZE	CAST ALUMINUM CAT. NO.	CAST BRASS CAT. NO.	TAPPED NPT
EX: 3913 10–20 Amp	FSA11 FSA12	FSA11B FSA12B	1/2" 3/4"
EX: 3934 20/30 Amp	FSA21 FSA22 FSA23	FSA21B FSA22B FSA23B	1/2" 3/4" 1"

Furnished complete with gasket.

#### Cable Bushings

HOLE DIAMETER FOR CABLE (INCHES)	TYPE 2 10 AMP	TYPE 3 20 AND 30 AMP
.313	SG05	—
.375	SG1	JG31
.438	SG15	—
.500	SG2	JG32
.531	SG2A	—
.563	SG25	JG325
.594	SG2B	—
.625	SG3	JG33
.688	SG3A	—
.750	SG4	JG34
.875	—	JG35
1.000	—	JG36**
1.125	—	JG361**

\*\* Special for large O.D. cable.

**Note:**

When standard plugs or connectors are required to be furnished with one or more of the above accessories, add the suffix and catalog number of the accessory selected to the catalog number of the plug or connector. Complete list price is the total of the list price of the device plus the list price of the accessory.

Examples — Using Catalog No. 3934:

- Combo. Gland Nut and Cable Clamp      3934-3906
- Adapter at 3/4"                                      3934-FSA22
- 1/2" Cable Bushing                                3934-JG32

Material — Oil-resistant Neoprene.



Type 2  
Cable Bushing



Type 3  
Cable Bushing

## FS/FD™ Metallic Connections

### Type FS (Shallow) and Type FD (Deep)

Aluminum boxes have 6-32 cover mounting holes tapped to accommodate all FS and FD cover assemblies.

Brass boxes have 10-24 cover mounting holes tapped to accommodate all FS and FD cover assemblies.



Single-Gang



Two-Gang



DSFD

GANGS	TYPE	CAST ALUMINUM	CAST BRASS	OVERALL DIMENSIONS*	FOR USE WITH
Single	FS	<b>3701A</b>	<b>3721</b>	4.12" x 2.62" x 2.31"	15–20A
	FD	<b>3711A</b>	<b>3731</b>	4.12" x 2.62" x 2.94"	30A
	DSFD	<b>3781A</b>	—	4.12" x 3.62" x 4.12"	30A
Two	FS	<b>3702A</b>	<b>3722</b>	4.12" x 5.5" x 2.25"	15–20A
	FD	<b>3712A</b>	<b>3732</b>	4.12" x 5.62" x 2.87"	30A

\* Dimensions are overall exclusive of conduit pads and mounting lugs

**Note:**

When Type FD devices (20A) are to be mounted in boxes, Type FD boxes should be used. FS boxes will not accommodate FD devices (30A or 3P4W).

Mounting — All the above boxes are for surface mounting. For flush mounting, see **page H-384**.

Boxes — Cast brass, natural finish; cast aluminum, corrosion-resistant copper-free alloy, epoxy powder-coat finish.

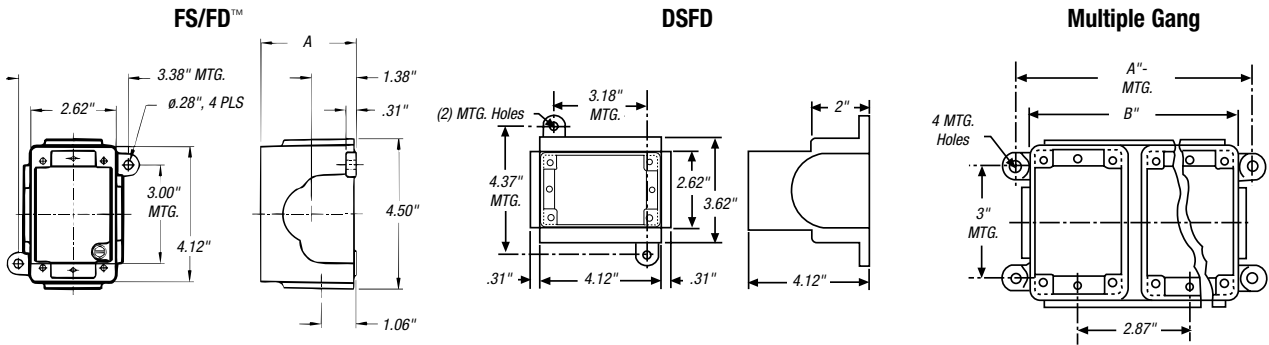
Outlets — Unless otherwise specified, furnished with one .75" outlet per gang, top or bottom. Additional outlets charged extra — see price list. Specify size and location.

Maximum Conduit — FS and FD: 1", one per gang top and bottom and one each side.

DSFD — One 1.5" or two .5" top and bottom.

Cast iron available on special order — consult your Thomas & Betts representative.

## Dimensions



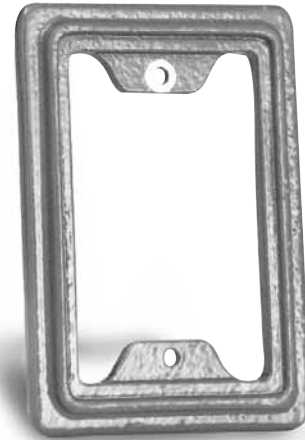
TYPE	A
FS	2.31
FD	2.94

A		B	
FS	FD	FS	FD
6.50"	6.50"	5.50"	5.62"

## FS/FD™ Metallic Connections

### Adapter Flush Frames\*

For mounting to standard wall outlet boxes (2-screw mount).



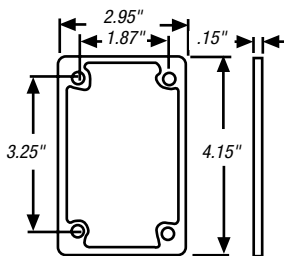
GANGS	CAST ALUMINUM	CAST BRASS	OVERALL DIMENSIONS
1	3671A	3681	5" x 3.5"
2	3672A	3682	5" x 6.5"

Adapters and covers to fit boxes on [page H-379](#).

\* Furnished complete with gasket and screws.

### Blank Cover\*

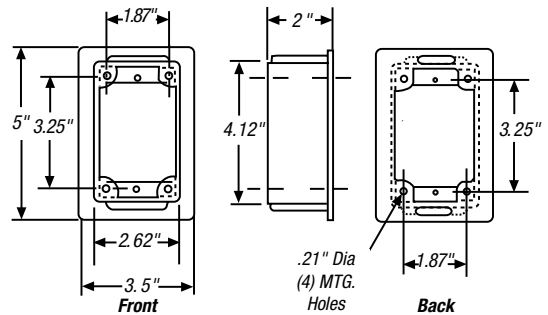
Covers standard FS/FD™ box openings.



CAT. NO.	MATERIAL
3677A	Cast Aluminum
3687	Cast Brass

\* Furnished complete with gasket and screws.

### Flush Wall Mounting Extension\*



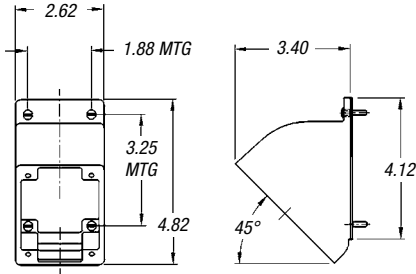
CAT. NO.	MATERIAL
3679A	Cast Aluminum
3679B	Cast Brass

\* Furnished complete with gasket and screws.

## FS/FD™ Metallic Connections

### 45° Angle Adapter\*

Mounts to any FS/FD™ box.



CAT. NO.	MATERIAL
3678A	Cast Aluminum
3678B	Cast Brass

\* Furnished complete with gasket and screws.

### Type FSWS and FDWS (with Mounting Shelf for Box-Mounted Devices)

Aluminum die-cast boxes with cover mounting holes tapped for 6-32 screws to accommodate all FS and FD cover assemblies.



CAT. NO.	CONDUIT ENTRIES	
	TOP	BOTTOM
FSWS-62	3/4"	NA
FDWS-62	3/4"	NA
FDWS-622	3/4"	3/4"
FDWS-63	1"	NA
FDWS-633	1"	1"

\* Furnished complete with gasket and screws.

**Notes:**

Materials — Cast aluminum, corrosion-resistant copper-free alloy, epoxy powder-coat finish; cast brass, natural finish.

Boxes — Aluminum die-cast, corrosion-resistant copper-free alloy, epoxy powder-coat finish.

Outlets — Standard as listed.

Mounting — All of the above boxes are for surface mounting.

