
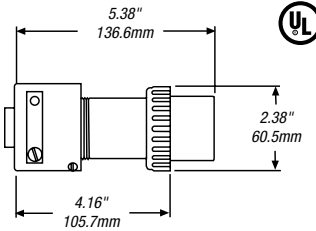

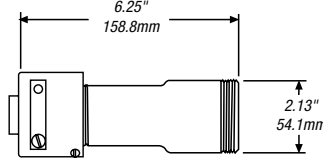

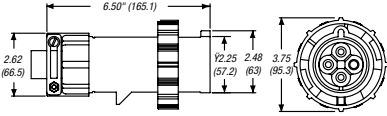

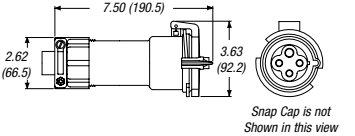

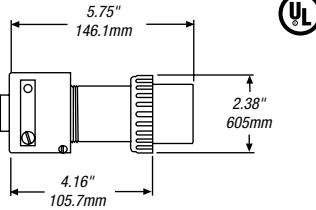

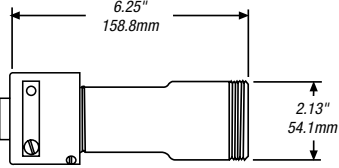

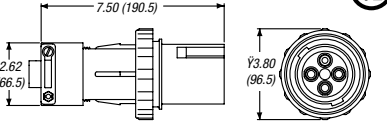

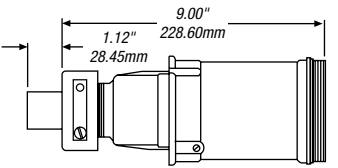

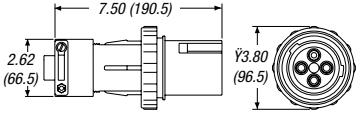

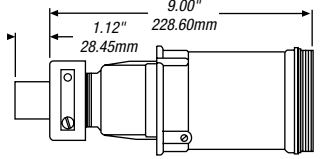


Mipco™ Connections for Refrigerated Containers

Plugs and Connectors

Power & High Voltage — Russellstoll® Pin & Sleeve Power Connectors

Male Plugs		Female Connectors		
CAT. NO.	DIMENSIONS	RATING	CAT. NO.	DIMENSIONS
334MPXT	 	30 AMP 250VAC 60 Hz 3P4W	334FC •	 
333MPXT ★	 	32 AMP 380/440VAC 50/60 Hz 3P4W IEC 309-2 480VAC USA	333FCV ▲ (DuraV® Housing)	  <p>Snap Cap is not Shown in this view</p>
534MPXT	 	50 AMP 250VAC 60 Hz 3P4W	534FC •	 
634MP2XT	 	60 AMP 250VAC 60 Hz 3P4W	634FC2 •	 
634MP4XT	 	60 AMP 480VAC 60 Hz 3P4W	634FC4V ▲ (DuraV Housing)	 

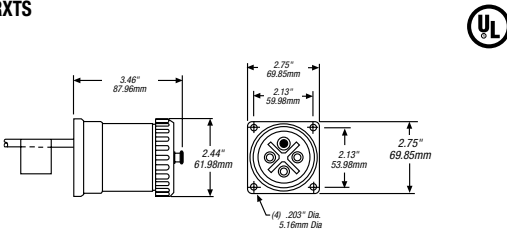
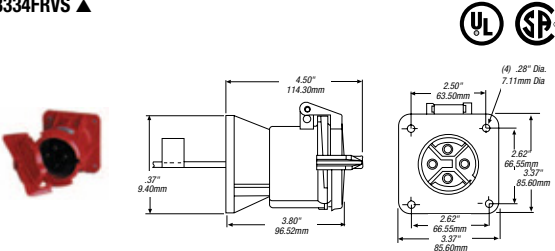
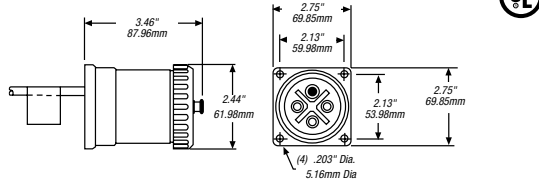
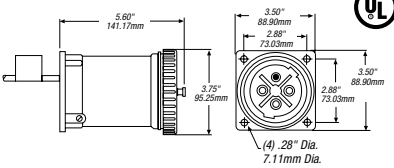
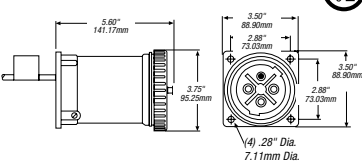
Additional bushing sizes available for plugs and connectors to ensure sealing to your cable. See **page H-478** for ordering information.

- Polycarbonate housing.
- ▲ DuraV® housing, UL94V-0 flame rated.
- ★ AMTUF® housing.

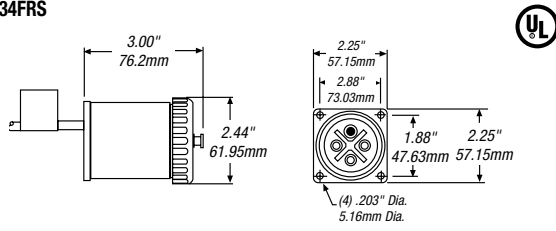
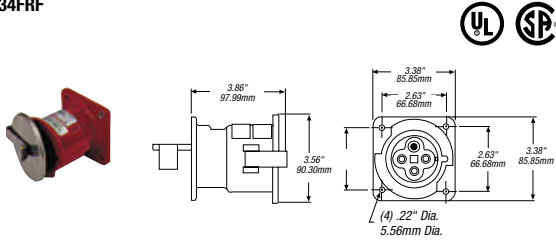
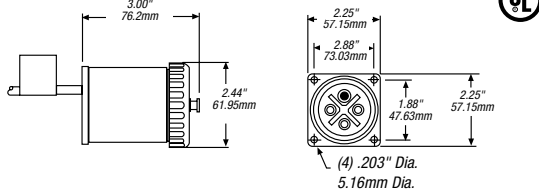
Mipco™ Connections for Refrigerated Containers

Receptacles

Non-Metallic Female Receptacles

CAT. NO.	DIMENSIONS	RATING
3034FRXTS		30 AMP 250VAC 60 Hz 3P4W
3334FRVTS ▲		32 AMP 380/440VAC 50/60 Hz 3P4W IEC 309-2 480VAC USA
5034FRXTS ★		50 AMP 250VAC 60 Hz 3P4W
6234FRXTS ★		60 AMP 250VAC 60 Hz 3P4W
6434FRXTS ★		60 AMP 480VAC 60 Hz 3P4W

Metallic Female Receptacles

CAT. NO.	DIMENSIONS	RATING
3034FRS		30 AMP 250VAC 60 Hz 3P4W
3334FRF		32 AMP 380/440VAC 50/60 Hz 3P4W IEC 309-2 480VAC USA
5034FRS		50 AMP 250VAC 60 Hz 3P4W

For all Receptacles — Flap Cap, order using suffix "F". Example 3334FRVF.
Screw Cap, order using suffix "S". Example 3034FRXTS.

Additional bushing sizes available for plugs and connectors to ensure sealing to your cable. See [page H-478](#) for ordering information.

- Polycarbonate housing.
- ▲ DuraV® housing, UL94V-0 flame rated.
- ★ AMTUF® housing.