

AC Current Indicator LCS10T12 & LPM Go-Glow Indicator



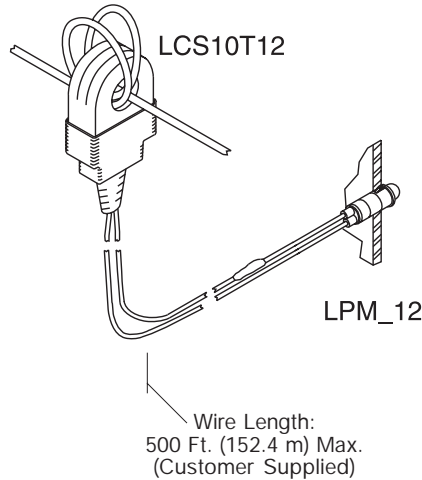
- Low Cost Go/No Go Indication
- May Be Connected To Wires Up To 500 Feet (152.4 m) Long
- Remote Monitoring of Currents Up To 50 A
- Green or Red LED Indicator Available

Approvals:

Description

The LCS10T12 connected to the LPM12 or LPMG12 indicator is a low cost, easy to use, go/no go indication system for the remote monitoring of current flow. The LCS10T12 is installed on an adequately insulated wire of the monitored load. Its 12 in. (30.4 cm) leads are connected to the LPM12 or LPMG12 panel mount indicator directly or via customer supplied wires up to 500 feet (152.4 m) long.

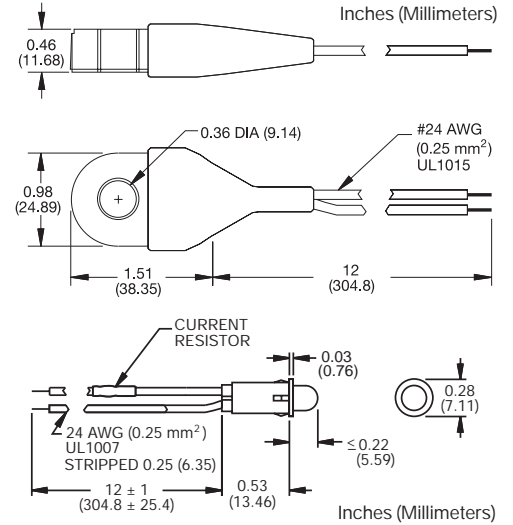
Connection



Operation

When the monitored current is 5 ampere-turns, the panel mount LPM indicator will glow. The LCS10T12 is designed to maximize the light output of the panel mount indicator. It can be used to monitor current flow of less than 5 A by passing the monitored conductor 2 or more times through the sensor.

Mechanical View



Panel mount indicator designed to match the output of the LCS10T12. The LPM12 and LPMG12 come with 12 in. (30.4 cm) wires and a one piece mounting clip. Both devices install quickly in a 0.25 in. (6.35 mm) hole in panels from 0.031 ... 0.062 in. (0.79 ... 1.6 mm) thick.

CAUTION: The LCS10T12 must be connected to the LPM12 or LPMG12 before current flows to prevent damage or a shock hazard. Monitored wires must be properly insulated.

Ordering Table

Description	Part Number
AC Current Sensor	LCS10T12
Red LED Indicator	LPM12
Green LED Indicator	LPMG12

Technical Data		Monitored Current			
Current Range		2 ... 50 A AC			
Wire Passes	Min. Current	Max. Current	Max. Inrush	Max. Wire Dia.	
1	5 A	50 A	120 A	0.355 in. (9.0 mm)	
2	2.5 A	25 A	60 A	0.187 in. (4.7 mm)	
3	1.7 A	16.6 A	40 A	0.15 in. (3.8 mm)	
4	1.3 A	12.5 A	30 A	0.125 in. (3.2 mm)	
5	5/X	50/X	120/X		
Maximum Current		50 ampere-turns continuous			
Frequency		50 ... 60 Hz			
DC Resistance of Current Limiter		65 Ω			
Mechanical					
Sensor Hole		0.36 in. (9.14 mm) for up to #4 AWG (21.1 mm ²) THHN wire			
Termination		12 in. (30.4 cm) wire leads			
Environmental					
Operating/Storage Temperature		-40°C ... +60°C / -40°C ... +85°C			
Weight		LCS: ≅ 0.8 oz (23 g) LPM: ≅ 0.2 oz (6 g)			