

# STAINLESS STEEL ELJ CONSOLES & ACCESSORIES

## Application

Designed to house electrical and electronic controls, instruments, and components. Provides a degree of protection from dust, dirt, oil and water. Consoles can be mounted on either of two sides to give a control surface inclined 30° or 60°. Can be mounted on desks, machines, or pedestals.

## Construction

- 0.063" stainless steel Type 304.
- Seams continuously welded and ground smooth.
- Flange trough collar around all sides of door opening.
- Removable hinges.
- Pour in place oil and water resistant gasket.
- Standoffs provided for mounting optional subpanels.
- Cable door stops included on SCE-12C\*\*, SCE-16C\*\* & SCE-20C\*\*
- Black mini quarter turn latches.
- Latches are opened or closed with a screwdriver.
- Ground stud on door and body.
- Mounting holes in back.

## Options

Can be special ordered in Type 316/316L stainless steel.

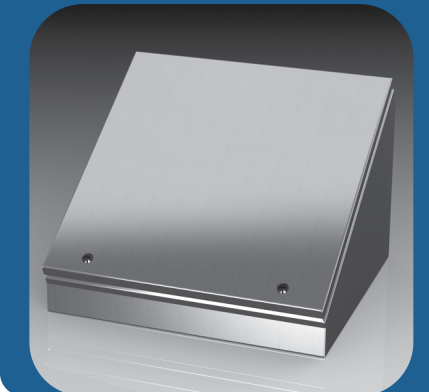
## Finish

#4 brushed finish on all exterior surfaces. Optional subpanels powder coated white.

## IS6 Industry Standards

NEMA Type 3R, 4, 4X, 12 & Type 13  
UL Listed Type 3R, 4, 4X & 12  
CSA Type 3R, 4, 4X & 12  
IEC 60529 IP66

\*\*\*To maintain Type 3R listing, drainage is required. Install equally rated drainage device or drill a 1/8 to 1/4 inch hole in the bottom center of the enclosure, approximately 1 inch from the right, and 1 inch from the left for drainage, use listed rain-tight or wet location hubs. Drip shield over the door is recommended for all outdoor applications.



# STAINLESS STEEL ELJ CONSOLES TECHNICAL DATA

## STAINLESS STEEL ELJ CONSOLES

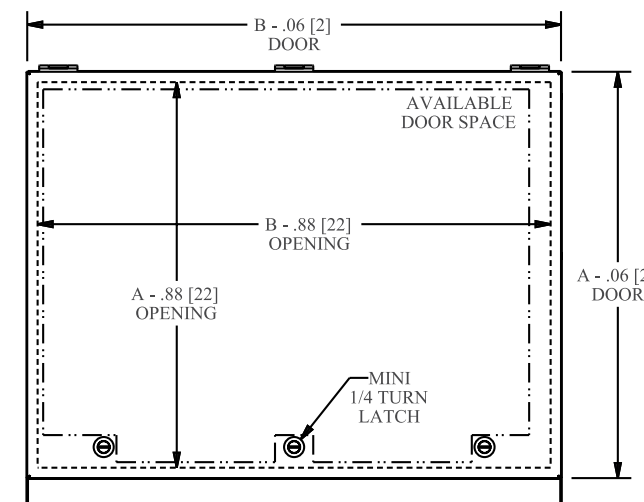
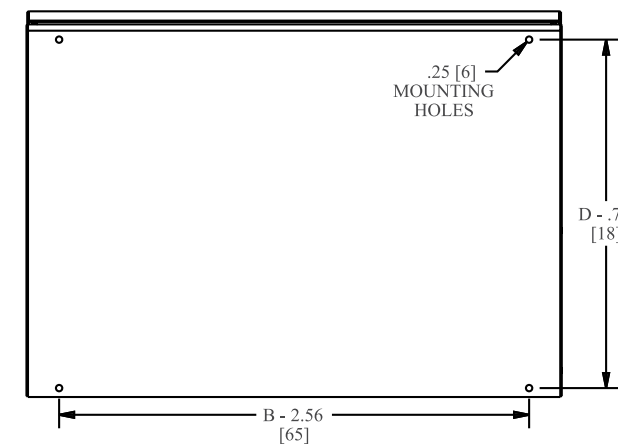
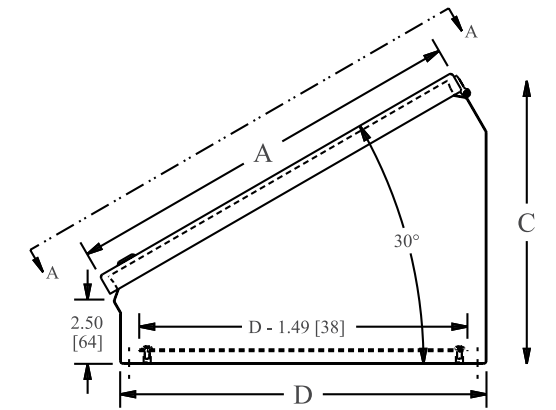
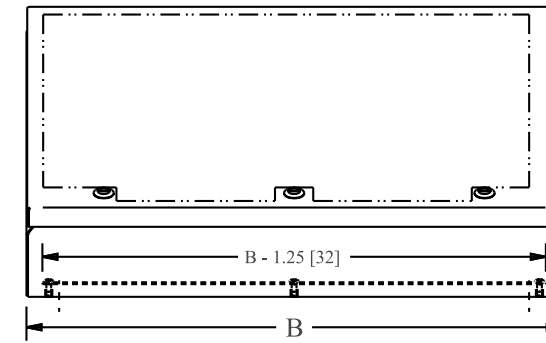
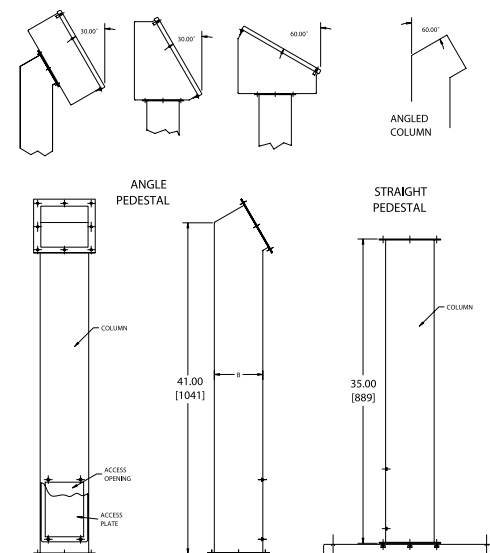
Enclosure Product Code S1				Subpanel (P3)			
Catalog No.	Height (A)	Width (B)	Depth (C)	Depth (D)	Catalog No.	Panel Height (E)	Panel Width (C)
<a href="#">SCE-8C8ELJSS</a>	8.00	8.00	7.09	7.44	<a href="#">SCE-8P8C</a>	6.00	6.75
<a href="#">SCE-8C12ELJSS</a>	8.00	12.00	7.09	7.44	<a href="#">SCE-8P12C</a>	6.00	10.75
<a href="#">SCE-8C16ELJSS</a>	8.00	16.00	7.09	7.44	<a href="#">SCE-8P16C</a>	6.00	14.75
<a href="#">SCE-8C20ELJSS</a>	8.00	20.00	7.09	7.44	<a href="#">SCE-8P20C</a>	6.00	18.75
<a href="#">SCE-12C12ELJSS</a>	12.00	12.00	9.09	10.91	<a href="#">SCE-12P12C</a>	9.50	10.75
<a href="#">SCE-12C16ELJSS</a>	12.00	16.00	9.09	10.91	<a href="#">SCE-12P16C</a>	9.50	14.75
<a href="#">SCE-12C20ELJSS</a>	12.00	20.00	9.09	10.91	<a href="#">SCE-12P20C</a>	9.50	18.75
<a href="#">SCE-12C24ELJSS</a>	12.00	24.00	9.09	10.91	<a href="#">SCE-12P24C</a>	9.50	22.75
<a href="#">SCE-16C16ELJSS</a>	16.00	16.00	11.09	14.38	<a href="#">SCE-16P14</a>	15.00	13.00
<a href="#">SCE-16C20ELJSS</a>	16.00	20.00	11.09	14.38	<a href="#">SCE-16P20C</a>	12.88	18.75
<a href="#">SCE-16C24ELJSS</a>	16.00	24.00	11.09	14.38	<a href="#">SCE-16P24C</a>	12.88	22.75
<a href="#">SCE-20C20ELJSS</a>	20.00	20.00	13.09	17.84	<a href="#">SCE-20P20C</a>	16.38	18.75
<a href="#">SCE-20C24ELJSS</a>	20.00	24.00	13.09	17.84	<a href="#">SCE-20P24C</a>	16.38	22.75
<a href="#">SCE-20C30ELJSS</a>	20.00	30.00	13.09	17.84	<a href="#">SCE-20P30C</a>	16.38	28.75

## CABLE DOOR STOP

Catalog No.	Description	For Use On	Product Code
<a href="#">SCE-CBL15</a>	15 Inch 135° Door Stop	SCE-12C** & SCE-16C*	P2
<a href="#">SCE-CBL20</a>	20 Inch 135° Door Stop	SCE-20C**	P2

## ACCESSORY COLUMNS AND BASES

Catalog No.	Description	Size	Product Code
<a href="#">SCE-18SBASESS</a>	Stainless Steel Pedestal Base	18.00 x 18.00 x 1.00	P2
<a href="#">SCE-24SBASESS</a>	Stainless Steel Pedestal Base	24.00 x 24.00 x 1.00	P2
<a href="#">SCE-44CCOLSS</a>	Stainless Steel Straight Column	4.00 x 4.00	P2
<a href="#">SCE-44PBCOLSS</a>	Stainless Steel Angled Column	4.00 x 4.00	P2
<a href="#">SCE-66CCOLSS</a>	Stainless Steel Straight Column	6.00 x 6.00	P2
<a href="#">SCE-66PBCOLSS</a>	Stainless Steel Angled Column	6.00 x 6.00	P2



**NOTES:**  
Provisions for cable stops on door and body when "A" >= 12.00 [305]

**LATCH NOTES:**  
One latch centered on door horizontally if "B" <= 14.00 [356]

Two latches located 3.00 [76] from right & left side of door if "B" > 14.00 [356]

Omit center latch if "B" > 14.00 [356] and <= 20.00 [508]

**SUB-PANEL NOTES:**  
Provisions only for sub-panel in bottom.