



LOW-COST STATUS!

Hawkeye® 600/800

Mini Split- & Solid-Core Fixed Setpoint Digital Output Current Switches

LOWEST TURN-ON IN THE INDUSTRY!

The Hawkeye 600/800 Series go/no current switches provide a cost-effective solution for monitoring status on unit vents, exhaust fans, recirculation pumps and other fixed loads where belt loss is not a concern.

Veris has applied new technology to the H600 and H800 models to achieve impressive improvement in turn-on levels. The Hawkeye 600 now has the lowest turn-on current in the industry at a mere 150mA!

APPLICATIONS

- Monitoring on/off status of electrical loads
- Monitoring direct drive units, exhaust fans and other fixed loads
- Verifying lighting run times

On/off status for direct-drive fans, pumps, and process motors

- More reliable for status than relays across auxiliary contacts
- Ideal for direct-drive units, unit vents, fan coil units, exhaust fans and other fixed loads
- Great for lighting status—less expensive than 277V relays
- Low 0.15A turn-on (H600) . . . ideal for small exhaust fans (Not intended to detect belt loss)
- Mounting bracket provides installation flexibility

Monitor status of fans, pumps, motors & other electrical loads

- Split-core 600 for fast retrofit installation
- Mini solid-core 800 fits in tight enclosures
- 100% solid-state, no moving parts to fail
- Polarity insensitive output
- 5-year limited warranty

ORDERING INFORMATION

See the H500 series on page 26 for Start/Stop & Status of fractional HP loads

MODEL	AMPERAGE RANGE	OUTPUT TYPE	OUTPUT RATING (MAX.)
Solid-Core			
H800	0.25 - 200A*	N.O., Solid-state	1.0A@30VAC/DC
H800HV**	0.75 - 200A*	N.O., Solid-state	0.5A@250VAC/DC
H800NC	0.5 - 200A*	N.C., Solid-state	0.1A@30VDC
Split-Core			
H600	0.15 - 200A*	N.O., Solid-state	1.0A@30VAC/DC

*See temperature specifications on next page

**CE not currently available on this product

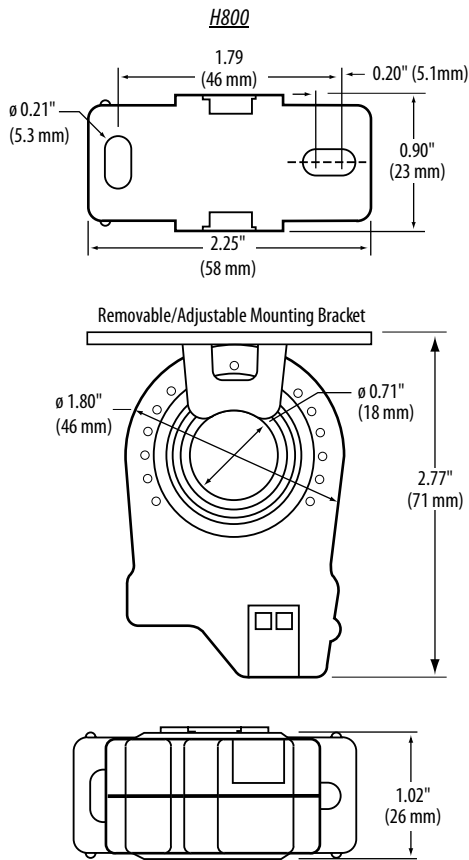
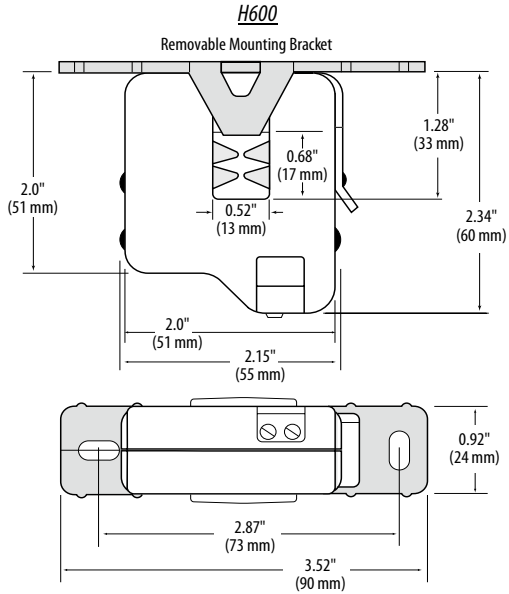


ACCESSORIES

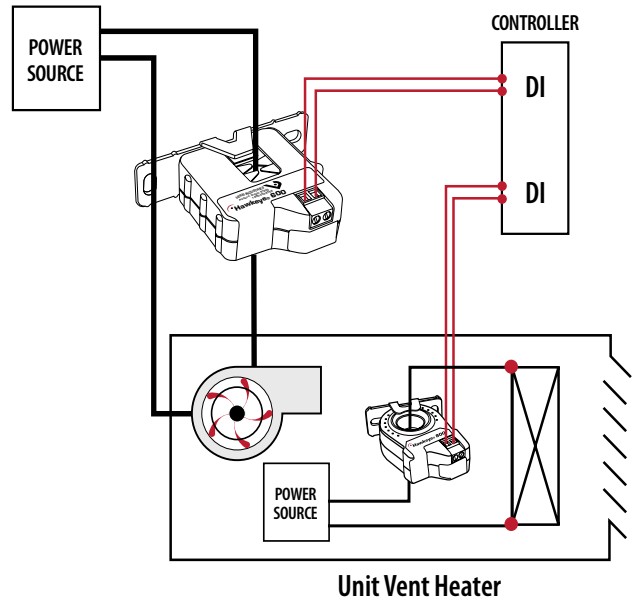
DIN Rail Clip Set...See page 234



DIMENSIONAL DRAWINGS



APPLICATIONS/WIRING EXAMPLE



29

SPECIFICATIONS

Amperage Range	Fixed 0.25 max. to 200A (H800), 0.15 max. to 200A (H600)
Sensor Power	Induced
Output	Digital switch (see ordering table)
Insulation Class	600VAC rms
Frequency Range	50/60Hz.
Temperature Range:	
H600*	15° to 40°C (0-200A)*; -15° to 60°C (0-150A)
H800/800NC*	-15° to 60°C.
H800HV**	-40° to 75° C. (0.75-100A), contacts to 0.25A@250VAC/DC -40° to 50° C. (0.75-200A), contacts to 0.5A@250VAC/DC

*Use min. 75°C insulated conductor

** Use min. 90°C. insulated conductor

Humidity Range	0 - 95% non-condensing
Trip Setpoint:	
H600	Fixed 0.15A max.
H800	Fixed 0.25A max.
H800HV	Fixed 0.75A max.
H800NC	Fixed 0.50A max.
Dimensions (H600) ... (L x W x H)	2.34" (60mm) x 2.15" (55mm) x .92" (24mm)
Sensor Hole Size (H600) ... (L x W)	0.52" (13mm) x 0.68" (17mm)
Dimensions (H800) ... (L x W x H)	2.77" (71mm) x 1.80" (46mm) x 1.02" (26mm)
Sensor Hole Size (H800)	0.71" (18mm) diameter

Do not use the LED status indicators as evidence of applied voltage.