

ACTUATOR HEAD FOR POSITION SWITCH 3SE51/52 ROLLER
LEVER W. METAL LEVER AND PLASTIC ROLLER 13MM



Product designation	actuator head for position switch
Manufacturer's article number	
<ul style="list-style-type: none"> of the supplied actuator head for position switches 	3SE5000-0AE10
General technical data:	
Product function	
<ul style="list-style-type: none"> positive opening 	Yes
Shock resistance	
<ul style="list-style-type: none"> acc. to IEC 60068-2-27 	30 g / 11 ms
Vibration resistance	
<ul style="list-style-type: none"> acc. to IEC 60068-2-6 	0.35 mm/5g
Mechanical service life (switching cycles)	
<ul style="list-style-type: none"> typical 	15 000 000
Equipment marking	
<ul style="list-style-type: none"> acc. to DIN EN 61346-2 	T
<ul style="list-style-type: none"> acc. to DIN EN 81346-2 	T
Active principle	mechanical
Minimum actuating force in activation direction	10 N

Enclosure:

Coating of the enclosure Other types

Drive Head:

Standard-compliant actuator head EN 50047, design E
Shape of the switch head roller
Outer diameter of the switch head 13 mm

Communication/ Protocol:

Design of the interface without



Ambient conditions:

Ambient temperature
• during operation -25 ... +85 °C
• during storage -40 ... +90 °C

Installation/ mounting/ dimensions:

Mounting position any
Mounting type lockable plug-in fixing

Certificates/approvals

General Product Approval	Declaration of Conformity	Test Certificates	other	
 CSA	 UL		 EG-Konf.	spezielle Prüfbescheinigungen Bestätigungen

other

[Schwingen / Schocken](#)

Further information

Information- and Downloadcenter (Catalogs, Brochures,...)

<http://www.siemens.com/industrial-controls/catalogs>

Industry Mall (Online ordering system)

<https://mall.industry.siemens.com/mall/en/en/Catalog/product?mlfb=3SE50000AE10>

Cax online generator

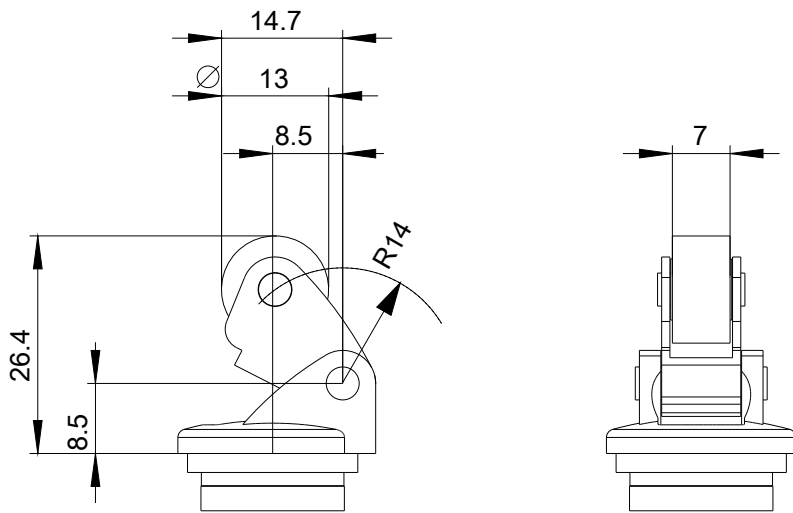
<http://support.automation.siemens.com/WW/CAXorder/default.aspx?lang=en&mlfb=3SE50000AE10>

Service&Support (Manuals, Certificates, Characteristics, FAQs,...)

<https://support.industry.siemens.com/cs/ww/en/ps/3SE50000AE10>

Image database (product images, 2D dimension drawings, 3D models, device circuit diagrams, EPLAN macros, ...)

http://www.automation.siemens.com/bilddb/cax_de.aspx?mlfb=3SE50000AE10&lang=en



last modified:

11.03.2016