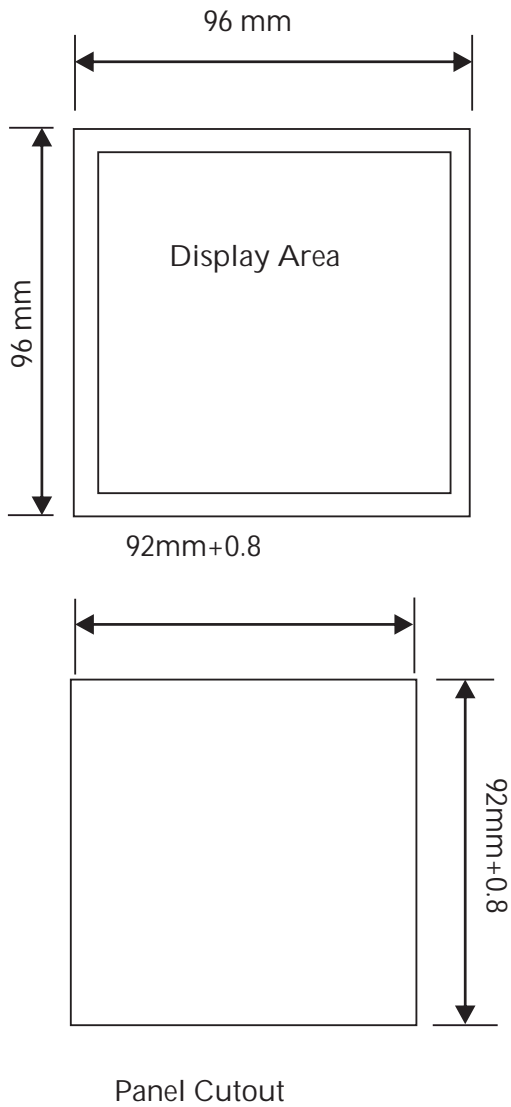


Dimension Details

With optional MODBUS / Limit switch



Dimension Details

With optional MODBUS / Limit switch

