



FUSERBLOC UL

Fusible disconnect switches UL and CSA
from 30 to 800 A

Fuse protection



The solution for

- > Motor on-load disconnect
- > Protection of industrial cabinet
- > Electrical distribution



Strong points

- > Improved safety
- > High breaking capacity
- > A complet range of functions

Conformity to standards⁽¹⁾

- > IEC 60947-3
- > NFPA79 (2002 Edition)
- > UL489, Guide WJAZ, file E255272 (Frame size 1 and 2)
- > UL98, Guide WHTY, file E201138 (Frame sizes 3 to 8)
- > CSA22.2 #5, Class 4652-06, file 112964 (Frame size 1 and 2)
- > CSA22.2 #4, Class 4651-02, file 112964 (Frame sizes 3 to 8)



(1) Product reference on request.

Function

FUSERBLOC UL fusible disconnect switches are heavy duty switches that break and make power circuits on and off load. The switches employ double break contacts per pole that ensure complete isolation of the fuse when the switch is in the "OFF" position. These switches are extremely durable and are tested and approved for use in the most demanding applications. The TEST position function is enabled with handles with the TEST position. This function tests the control circuit auxiliaries without switching the main contacts. It is a simple alternative to a separately wired push button.

Advantages

Improved safety

- On load make and break power circuit applications.
- Double break by phase.
- Touch safe covers.

High breaking capacity.

- Up to 200 kA Short circuit rating.

A complet range of functions

- Compact footprints.
- Front or side operation.
- Flange operation.
- NFPA 79 compliant kits.
- Voltage sensing terminals.

References

Fusible disconnect

Rating (A) Fuses Frame size	No. of poles	Switch body	Direct handle	Front external handle	External right side handle ⁽¹⁾	Shaft external handle	NFPA79 kit	U-type auxiliary contacts	Terminal shrouds	
CD 30 A CC 1	3 P	3710 3003	Black 3729 4012	S0 type Black IP65 I - 0 1, 3R, 12 1493 0111 4, 4X 149D 0111		S0 type 200 mm 7.9 inches 1405 0620	3729 4532			
	3 P + switched neutral	3710 4003				320 mm 12.6 inches 1405 0632				
	3 P + solid neutral	3710 5003				400 mm 15.7 inches 1405 0640				
CD 30 A J 2	3 P	3710 3004	3729 4014	S1 type Black IP65 I - 0 1, 3R, 12 141F 2111 4, 4X 141D 2111		S1 type 200 mm 7.9 inches 1401 0520		1 contact NO 3999 0701 1 contact NC 3999 0702	not required	
	3 P + switched neutral	3710 4004				320 mm 12.6 inches 1401 0532				
	3 P + solid neutral	3710 5004				400 mm 15.7 inches 1401 0540				
30 A J 4	2 P	3861 2004	Black 3629 7910	S1 type Black I - 0 1, 3R, 12 Defeatable 141F 2111 I - 0 4, 4X Defeatable 141D 2111	S1 type Black I - 0 4, 4X 141H 6111 S1 type Red / yellow I - 0 4, 4X 141I 6111	S1 type 200 mm 7.9 inches 1400 1020	3729 7540			
	3 P	3861 3004								
	4 P	3861 6004								
60 A J 4	2 P	3861 2005		I - 0 4, 4X Defeatable 141D 2111 I - 0 - Test 4, 4X Defeatable 141D 2115		320 mm 12.6 inches 1400 1032				
	3 P	3861 3005								
	4 P	3861 6005								

(1) No door interlocking.

FUSERBLOC UL

Fusible disconnect switches UL and CSA
from 30 to 800 A

References (continued)

Rating (A) fuses Frame size	No. of poles	Switch body	Direct handle	Front external handles	External right side handle ⁽¹⁾	Shaft for external handle	NFPA79 kit	U-type auxiliary contacts	Terminal shrouds						
60 A J 5	2 P	3861 2006	Black 3629 7910	S2 type Black I - 0 1, 3R, 12 Defeatable 142F 2111	S2 type Black I - 0 4, 4X 142H 6111	S2 type 200 mm 7.9 inches 1400 1020	3729 7540	1 contact type NO 3999 0701 1 contact type NC 3999 0702	not required						
	3 P	3861 3006													
	4 P	3861 6006													
100 A J 5	2 P	3861 2010													
	3 P	3861 3010													
	4 P	3861 6010													
200 A J 6	2 P	3861 2020								4, 4X Defeatable 142D 2111	Red / yellow I - 0 4, 4X 142I 6111	320 mm 12.6 inches 1400 1032	3729 7544		3898 2020
	3 P	3861 3020													3898 3020
	4 P	3861 6020													3898 4020
400 A J 7	2 P	3851 2038								Black 3859 6011	S3 type Black I - 0 1, 3R, 12 Defeatable 143F 3111 4, 4X Defeatable 143D 3111	S3 type 200 mm 7.9 inches 1400 1220	3729 7552		3898 2040
	3 P	3851 3038	3898 3040												
	4 P	3851 6038	3898 6040												
600 A J 8	2 P	3850 2060			320 mm 12.6 inches 1400 1232			2 P							
	3 P	3850 3060						3898 2080							
	4 P	3850 6060						3898 3080							
800 A L 8	2 P	3850 2080						4 P							
	3 P	3850 3080						3898 4080							
	4 P	3850 6080													

(1) No door interlocking.

Accessories

Electronic fuse operation indication (FMD)

Use

For fuse cartridge BS88, DIN and UL.

Principle

The FMD detects fuse operation using a bistable relay and a signaling LED. It can be mounted on a DIN rail, a back plate, next to the FUSERBLOC, or on the door.

References

For FUSERBLOC 100 to 800 A			
Nb of leds	Type	Operating voltage Ph/Ph	Reference
1	FMD10	120 - 260 VAC	3899 1120
1	FMD10	380 - 690 VAC	3899 1380
3	FMD30	120 - 260 VAC	3899 3120
3	FMD30	380 - 690 VAC	3899 3380

Accessories		Reference
Kit for connection accessories	Standard	3819 9120
Kit for connection accessories	Door mounted	3829 9120

Relay characteristics

Type	Relay operating current I _e (A)	
	AC-15	DC-13
FMD10 and FMD30	2.5 A	0.2



FMD10
1-led version

FMD30
3-leds version

NFPA79 accessories

Flange handle for flange operation

Use

Meets both UL508A and NFPA79 requirements.
The handle will operate the switch by cable or rod.

Rating (A)	Type	Nema type	Reference
30 ... 200	Standard handle	1, 3, 3R, 4, 12	3729 9002 ⁽¹⁾
30 ... 200	Chrome plated handle	1, 3, 3R, 4, 4X, 12	3729 9003 ⁽¹⁾

(1) Defeatable handle.



sfico_246_a_1_cat

Cable operator

Use

Link between the flange handle and the switch, please order the flange handle, the mechanism and a cable length of your choice.

Rating (A)	Description	Reference
30 ... 200	Cable flange mechanism	3729 9903

Cable length (inches)	Cable length (mm)	Reference
36	900	3729 9992
60	1500	3729 9993
120	3000	3729 9994



sfico_247_a_1_cat



ul_042_b_1

Rod operator

Use

Link between the flange handle and the switch. The rod flange is an economical solution, please order the flange handle and a rod kit.

Rating 30 ... 200 A

For enclosure depth (inches)	For enclosure depth (mm)	Reference
8 ... 24	203 ... 613	3729 9904



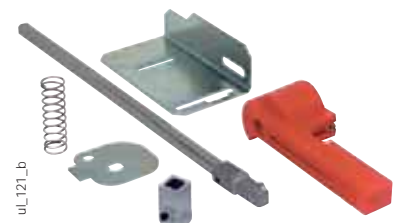
ul_043_a

NFPA79 "Through the door" kit

Use

Meets both UL508A and NFPA79 requirements.
Allows retrofit of your installations for ratings from 30 to 800 A.
Please order an S-type external handle separately.

Number of auxiliary contact installed on the switch will be limited to 1 layer (instead of 2).
If more needed please use the S type auxiliary contacts



ul_121_b

Rating (A)	Frame size	Reference
CD 30	1/2	3729 4532
30 ... 200	3 ... 6	3729 7540
400	7	3729 7544
600 ... 800	8	3729 7552

FUSERBLOC UL

Fusible disconnect switches UL and CSA
from 30 to 800 A

Accessories

Direct handle

Rating (A)	Color	Fuses	Fig.	Reference
CD 30	Black	CC	1	3729 4012
CD 30	Black	J	1	3729 4014
30 ... 400	Black	J	2	3629 7910
600 ... 800	Black	J / L	2	3859 6011



Fig. 1

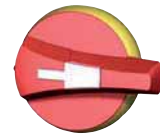
Fig. 2

External handle

Use

The locking function of the front external handle prevents the user from opening the door of the enclosure when the switch is in the "ON" position, and when the switch is padlocked in the "OFF" position (S1, S2, S3 and S4 type handles only).

Opening the door when the switch is in the "ON" position is possible by defeating the interlocking function with the use of a tool (authorised persons only). The interlocking function is restored when the door is re-closed.



S0-type handle



S-type handle



S2-type handle



S3-type handle

Front operation

Rating (A)	Frame size	Handle type	Nema type	Test	Handle color	Standard Reference	Heavy duty Reference
CD 30	1	S0	1, 3R, 12	I - 0	Black	1493 0111	
CD 30	1	S0	1, 3R, 12	I - 0	Red/Yellow	1494 0111	
CD 30	1	S0	4, 4X	I - 0	Black	149D 0111	
CD 30	1	S0	4, 4X	I - 0	Red/Yellow	149E 0111	
CD 30 ... 60	3/4	S1	1, 3R, 12	I - 0	Black	141F 2111	
CD 30 ... 60	3/4	S1	1, 3R, 12	I - 0	Red/Yellow	141G 2111	
CD 30 ... 60	3/4	S1	4, 4X	I - 0	Black	141D 2111	141D 2911
CD 30 ... 60	3/4	S1	4, 4X	I - 0	Red/Yellow	141E 2111	141E 2911
CD 30 ... 60	3/4	S1	4, 4X	I - 0 - Test	Black	141D 2115	
CD 30 ... 60	3/4	S1	4, 4X	I - 0 - Test	Red/Yellow	141E 2115	
60 ... 200 ⁽¹⁾	5 ... 7	S2	4, 4X	I - 0 - Test	Black	142D 2115	
60 ... 200 ⁽¹⁾	5 ... 7	S2	4, 4X	I - 0 - Test	Red/Yellow	142E 2115	
60 ... 400	5 ... 7	S2	1, 3R, 12	I - 0	Black	142F 2111	
60 ... 400	5 ... 7	S2	1, 3R, 12	I - 0	Red/Yellow	142G 2111	
60 ... 400	5 ... 7	S2	4, 4X	I - 0	Black	142D 2111	142D 2911
60 ... 400	5 ... 7	S2	4, 4X	I - 0	Red/Yellow	142E 2111	142E 2911
600 ... 800	8	S3	1, 3R, 12	I - 0	Black	143F 3111	
600 ... 800	8	S3	1, 3R, 12	I - 0	Red/Yellow	143G 3111	
600 ... 800	8	S3	4, 4X	I - 0	Black	143D 3111	143D 3911
600 ... 800	8	S3	4, 4X	I - 0	Red/Yellow	143E 3111	143E 3911

(1) No test position on 400 A.

Right side operation

Rating (A)	Frame size	Handle type	Nema type	Test	Handle color	Standard Reference	Heavy duty Reference
30 ... 60	3/4	S1	4, 4X	I - 0	Black	141H 6111	141H 6911
30 ... 60	3/4	S1	4, 4X	I - 0	Red/Yellow	141I 6111	141I 6911
100 ... 400	5 ... 7	S2	4, 4X	I - 0	Black	142H 6111	142H 6911
100 ... 400	5 ... 7	S2	4, 4X	I - 0	Red/Yellow	142I 6111	142I 6911
600 ... 800	8	S3	4, 4X	I - 0	Black	consult us	consult us
600 ... 800	8	S3	4, 4X	I - 0	Red/Yellow	consult us	consult us

S-type handle raiser

Use

Enables S-type handles to be fitted in place of existing older style SOCOMEC handles. Adapter can also be used as a spacer to increase the distance between the panel door and the handle lever.

Dimensions

Increases distance to door by 0.47 in / 12 mm.

Handle color	Pack qty	External degree of protection (IP)	Reference
Black	10	IP65	1493 0000



access_187_a_1_cat

Alternative color S-type handle cover

Use

For single lever handle S-type S1, S2, S3 and double lever handle, type S4. Other colors: please consult us.

Handle color	Pack qty	Handle type	Reference
Light grey	50	S2, S3	1401 0001
Dark grey	50	S2, S3	1401 0011
Light grey	50	S4	1401 0031
Dark grey	50	S4	1401 0041



access_198_a_1_cat

Shaft for external handle

Use

Standard lengths:
- 7.9 in / 200 mm,
- 12.6 in / 320 mm,
- 15.7 in / 400 mm.

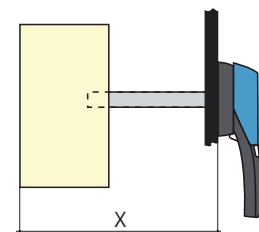
Other lengths: please consult us.

Rating (A)	Dimensions X		Handle type	Length		Reference
	(in)	(mm)		(in)	(mm)	
CD 30	4.02 ... 9.65	102 ... 245	S0	7.9	200	1405 0620
CD 30	4.02 ... 14.37	102 ... 365	S0	12.6	320	1405 0632
CD 30	4.02 ... 17.52	102 ... 445	S0	15.7	400	1405 0640
CD 30	4.02 ... 9.65	102 ... 245	S1	7.9	200	1401 0520
CD 30	4.02 ... 14.37	102 ... 365	S1	12.6	320	1401 0532
CD 30	4.02 ... 17.52	102 ... 445	S1	15.7	400	1401 0540
30 ... 100	5.3 ... 9.06	135 ... 230	S2	7.9	200	1400 1020
30 ... 100	5.3 ... 13.78	135 ... 350	S2	12.6	320	1400 1032
30 ... 100	5.3 ... 16.93	135 ... 430	S2	15.7	400	1400 1040
30 ... 100	5.3 ... 20.87	135 ... 530	S2	19.7	500	1400 1050
200	5.7 ... 9.06	145 ... 230	S2	7.9	200	1400 1020
200	5.7 ... 13.78	145 ... 350	S2	12.6	320	1400 1032
200	5.7 ... 16.93	145 ... 430	S2	15.7	400	1400 1040
200	5.7 ... 20.87	145 ... 530	S2	19.7	500	1400 1050
400	7.87 ... 10.24	200 ... 260	S2	7.9	200	1400 1020
400	7.87 ... 22	200 ... 560	S2	19.7	500	1400 1050
400	7.87 ... 14.96	200 ... 380	S2	12.6	320	1400 1032
400	7.87 ... 18.1	200 ... 460	S2	15.7	400	1400 1040
600 ... 800	10.63 ... 11.97	270 ... 304	S3	7.9	200	1400 1220
600 ... 800	10.63 ... 16.69	270 ... 424	S3	12.6	320	1400 1232
600 ... 800	10.63 ... 19.84	270 ... 504	S3	15.7	400	1400 1240
600 ... 800	10.63 ... 23.78	270 ... 604	S3	19.7	500	1400 1250



access_145_b_1_cat

access_369_a_1_cat



access_202_a_1_cat

FUSERBLOC UL

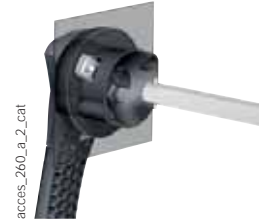
Fusible disconnect switches UL and CSA
from 30 to 800 A

Accessories (continued)

Shaft guide for external handle

Use

This accessory enables handle to engage shaft with a misalignment of up to 15 mm.
Required for a shaft length over 400 mm for S1 to S3 handles and for a shaft from 12.6 in / 320 mm for S0 handle.



Description	Reference
Shaft guide for S1 to S3 handles	1429 0000
Shaft guide for S0 handle	1419 0000

U-type auxiliary contacts

Use

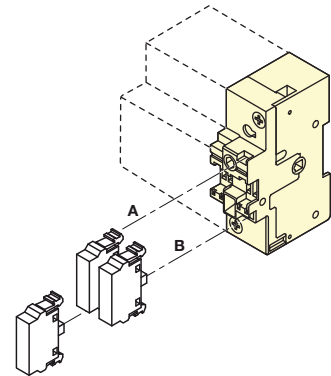
U-type AC can be configured to be operated on both, standard and TEST position switches from CD 30 to 800 A.
Each slot can accommodate up to 2 interlocked ACs.

- For CD 30A/CC, a maximum of 4 ACs (8 with an additional holder);
- For CD 30A/J, maximum 2 ACs (6 with an additional holder),
- For 30 to 200A/J, maximum 4 ACs,
- For 400 to 800A/L, maximum 8 ACs.

Electrical characteristics

A600.

When FUSERBLOC is front operated, ACs are prebreak and signaling position I and 0.
When FUSERBLOC is side operated, ACs are signaling positions I and 0.



CD 30 : U-type auxiliary contacts cannot be mounted on switches with direct operation handle

NO auxiliary contacts		
Rating (A)	Number of contacts	Reference
CD 30 ... 800	1	3999 0701

NC auxiliary contacts		
Rating (A)	Number of contacts	Reference
CD 30 ... 800	1	3999 0702

Contact holder for additional auxiliary contacts		
Rating (A)	Fuses	Reference
CD 30	CC	3999 0710
CD 30	J	3999 0710

S-type auxiliary contacts

Use

Side operated auxiliary contacts for FUSERBLOC 30 to 400 A, position OFF and ON signalled by 1 to 4 NO + NC auxiliary contacts.

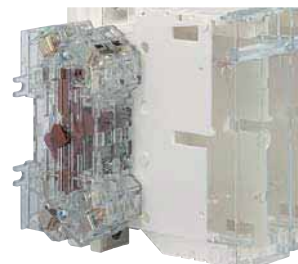
Electrical characteristics

A600/D600.

S-type auxiliary contacts are signaling position I and 0.



NO+NC auxiliary contacts		
Rating (A)	Number of contacts	Reference
30 ... 800	1	3999 U041
30 ... 800	2	3999 U042



Terminal shrouds

Use

Top or bottom protection against direct contact with terminals or connection parts.
2 sets required to fully shroud both line and load terminals.

Front and side operation		
Rating (A)	No. of poles	Reference ⁽¹⁾
30 ... 100	2/3/4 P	as standard
200	2 P	3898 2020
200	3 P	3898 3020
200	4 P	3898 4020
400	2 P	3898 2040
400	3 P	3898 3040
400	4 P	3898 6040
600 ... 800	2 P	3898 2080 ⁽²⁾
600 ... 800	3 P	3898 3080 ⁽²⁾
600 ... 800	4 P	3898 4080 ⁽²⁾

(1) Top or bottom. (2) Line side delivered as standard.



fuser_314_a_1_cat

Terminals lugs

Use

Connection of cables to the terminals.

Rating (A)	Wires range	No wires per lug	Lugs per kit	Wires	Reference
CD 30	#14 - #10	1		Cu	as standard
30	#14 - #10	1		Cu	as standard
30 ... 60	#10 - #6	1		Cu	as standard
60 ... 100	#12 - #1	1		Cu	as standard
200	#6 - 300MCM	1	2	Cu / Al	3954 2020
200	#6 - 300MCM	1	3	Cu / Al	3954 3020
200	#6 - 300MCM	1	4	Cu / Al	3954 4020
400	#2 - 600MCM	1	2	Cu / Al	3954 2040
400	#2 - 600MCM	1	3	Cu / Al	3954 3040
400	#2 - 600MCM	1	4	Cu / Al	3954 4040
400	2 x (#6 - 350 MCM)	2	2	Cu / Al	3954 2041
400	2 x (#6 - 350 MCM)	2	3	Cu / Al	3954 3041
400	2 x (#6 - 350 MCM)	2	4	Cu / Al	3954 4041
600 ... 800	2 x (#2 - 600MCM)	1	2	Cu / Al	3954 2060
600 ... 800	2 x (#2 - 600MCM)	2	3	Cu / Al	3954 3060
600 ... 800	2 x (#2 - 600MCM)	2	4	Cu / Al	3954 4060



ul_032_a

Solid links

Rating (A)	Fuses	No of links per kit	Reference
100	J	3	3799 9010
100	J	4	3799 8010
200	J	3	3799 9020
200	J	4	3799 8020
400	J	3	3799 9040
400	J	4	3799 8040
600 ... 800	J / L	3	3799 9080
600 ... 800	J / L	4	3799 8080



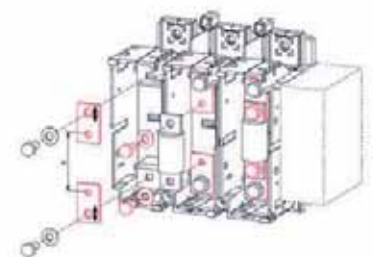
fuser-ul_019_a_1_cat

Class T fuse adapter

Use

The adapter makes it possible to fit class T fuses in the FUSERBLOC fuse switches.

Rating (A)	Size Class T fuse		No. of poles	Reference
	(in)	(mm)		
100	2.34	59.5	3 P	3729 8010
200	2.48	63	3 P	3729 8020
400	2.71	69	3 P	3729 8040
600	2.95	75	3 P	3729 8060
800	3.17	80.5	3 P	3729 8080
100	2.34	59.5	4 P	3729 9010
200	2.48	63	4 P	3729 9020
400	2.71	69	4 P	3729 9040
600	2.95	75	4 P	3729 9060
800	3.17	80.5	4 P	3729 9080



fuser-ul_014_b_1_cat

FUSERBLOC UL

Fusible disconnect switches UL and CSA
from 30 to 800 A

Characteristics according to UL98/CSA22.2 #4

CD 30 to 800 A

Characteristics UL and CSA	CD 30A ⁽³⁾	CD 30A ⁽³⁾	30A	60A	60A	100A	200A	400A	600A	800A
Short circuit rating at 600 VAC (kA)	100	100	200	100	200	200	200	200	200	200
Type of fuse	CC	J	J	J	J	J	J	J	J	L
Max. fuse rating (A)	30	30	30	60	60	100	200	400	600	800

Max. motor hp / FLA 3 ph motor max.

220-240 VAC	7.5 / 22	7.5 / 22	7.5 / 22	15 / 42	15 / 42	30 / 80	60 / 154	125 / 312	200 / 480	200 / 480
440-480 VAC	15 / 21	15 / 21	15 / 21	30 / 40	30 / 40	60 / 77	125 / 156	250 / 302	500 / 590	500 / 590
600 VAC	20 / 22	20 / 22	20 / 22	50 / 52	50 / 52	75 / 77	150 / 144	350 / 336	500 / 472	500 / 472
125 VDC ⁽¹⁾	3 / 25	3 / 25	3 / 25	3 / 25	3 / 25	7.5 / 58	15 / 112	20 / 148		
250 VDC ⁽²⁾	5 / 20	5 / 20	5 / 20	10 / 38	10 / 38	20 / 38	40 / 140	50 / 173		

Mechanical endurance

Endurance (number of operating cycles)	10 000	10 000	10 000	10 000	10 000	10 000	8 000	6 000	5 000	5 000
Operating torque (lbs.in / Nm)	31 / 3.5	31 / 3.5	71 / 8	71 / 8	71 / 8	71 / 8	90 / 10.2	150 / 17	586 / 66.2	586 / 66.2

Connection

Min. connection cross-section/ (mm ²) ⁽²⁾	#14	#14	#10	#10	#10	#10	#6	#2 or 2 x #6	2 x #2	2 x #2
Max. connection cross-section/ (mm ²) ⁽²⁾	#10	#10	#6	#6	#2/0	#2/0	300MCM	600MCM or 2 x 350MCM	2 x 600MCM	2 x 600MCM

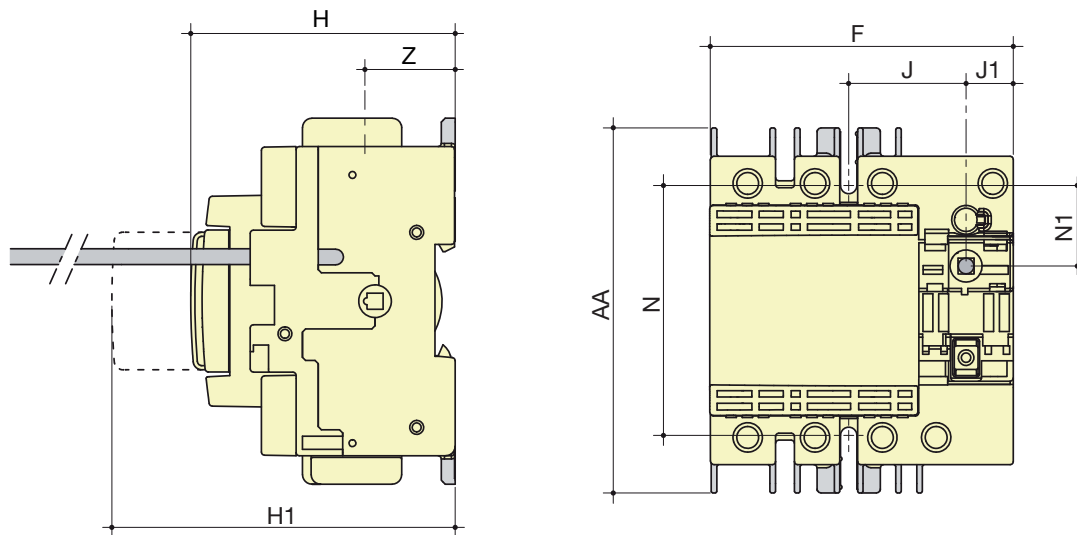
(1) 2 pole in series.

(2) 3 pole in series.

(3) UL 489/CSA22.2 #5.

Dimensions (in/mm)

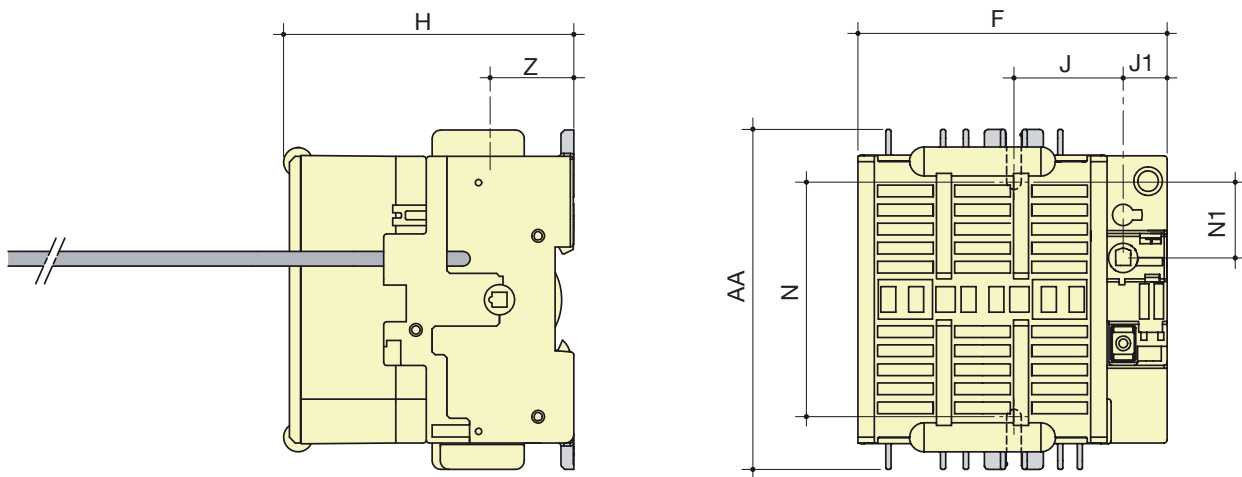
CD 30 A / CC - Frame size 1



fuser_665_a_1_X_cat

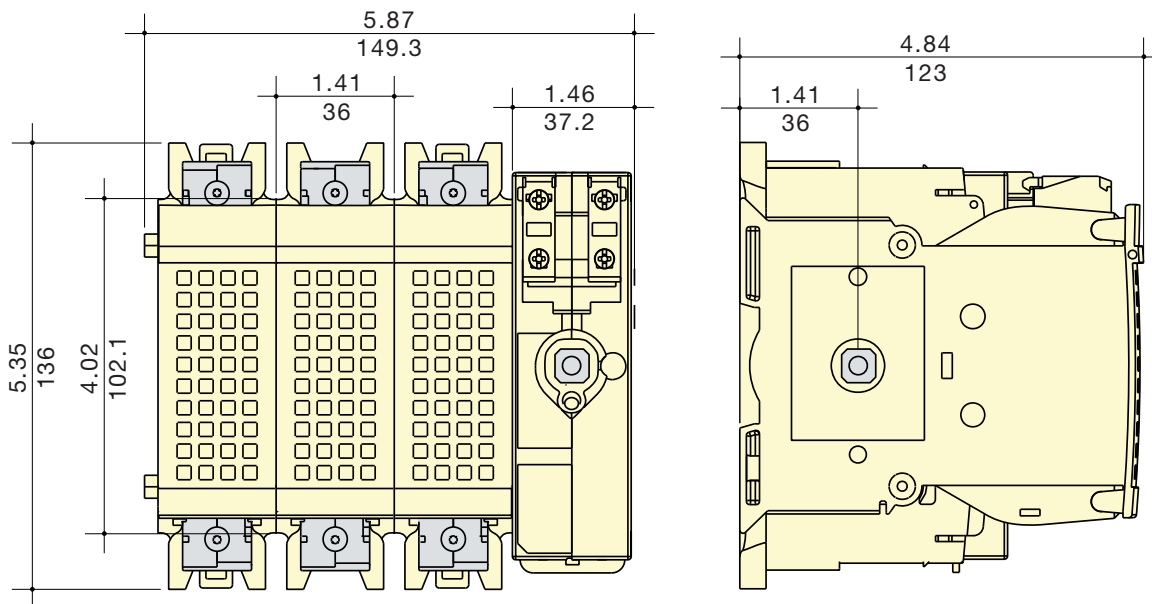
Rating (A) / Fuse	Unit	Switch body					Switch mounting		Connection	
		F	H	H1	J	J1	N	N1	AA	Z
CD 30 A / CC	in	3.78	3.28	5.19	1.47	0.59	3.13	1	4.56	1.12
	mm	96	83.5	132	37.5	15	79.5	25.5	116	28.5

CD 30 A / J - Frame size 2



Rating (A) / Fuse	Unit	Switch body				Switch mounting		Connection	
		F	H	J	J1	N	N1	AA	Z
CD 30 A / J	in	4.13	3.89	1.47	0.59	3.30	1	4.56	1.12
	mm	105	99	37.5	15	84	25.5	116	28.5

30 to 60 A / J - Frame size 4



Note for width:

For 2 pole device decrease overall width by 1.41 in / 36 mm.

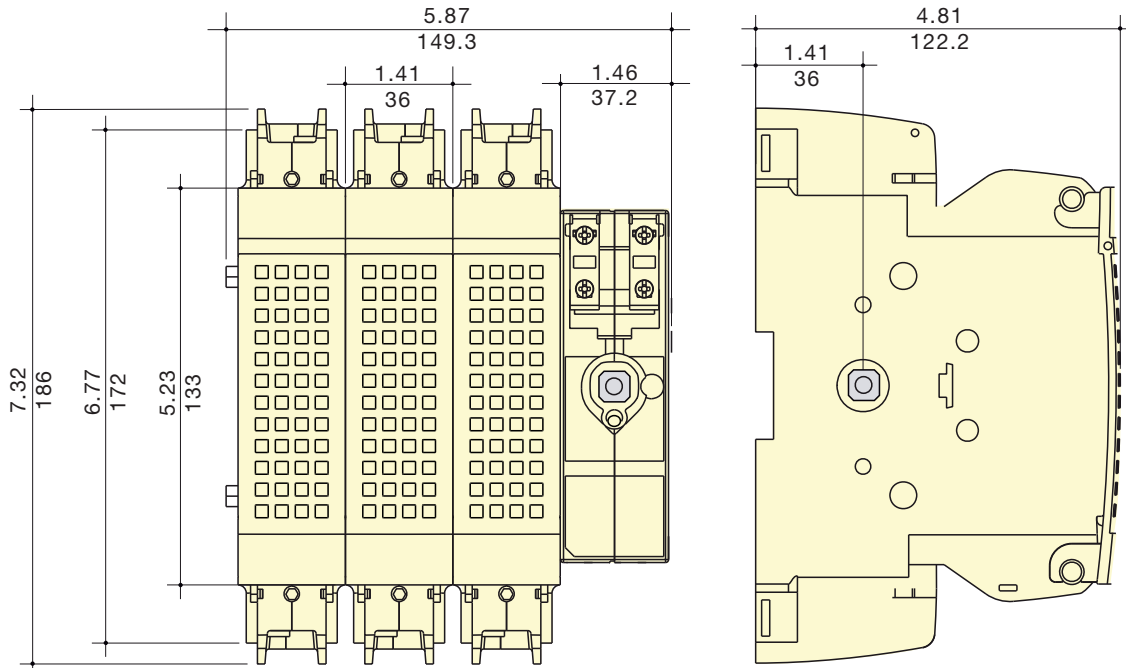
For 4 pole device increase overall width by 1.41 in / 36 mm.

FUSERBLOC UL

Fusible disconnect switches UL and CSA
from 30 to 800 A

Dimensions (in/mm) (continued)

60 to 100 A / J - Frame size 5



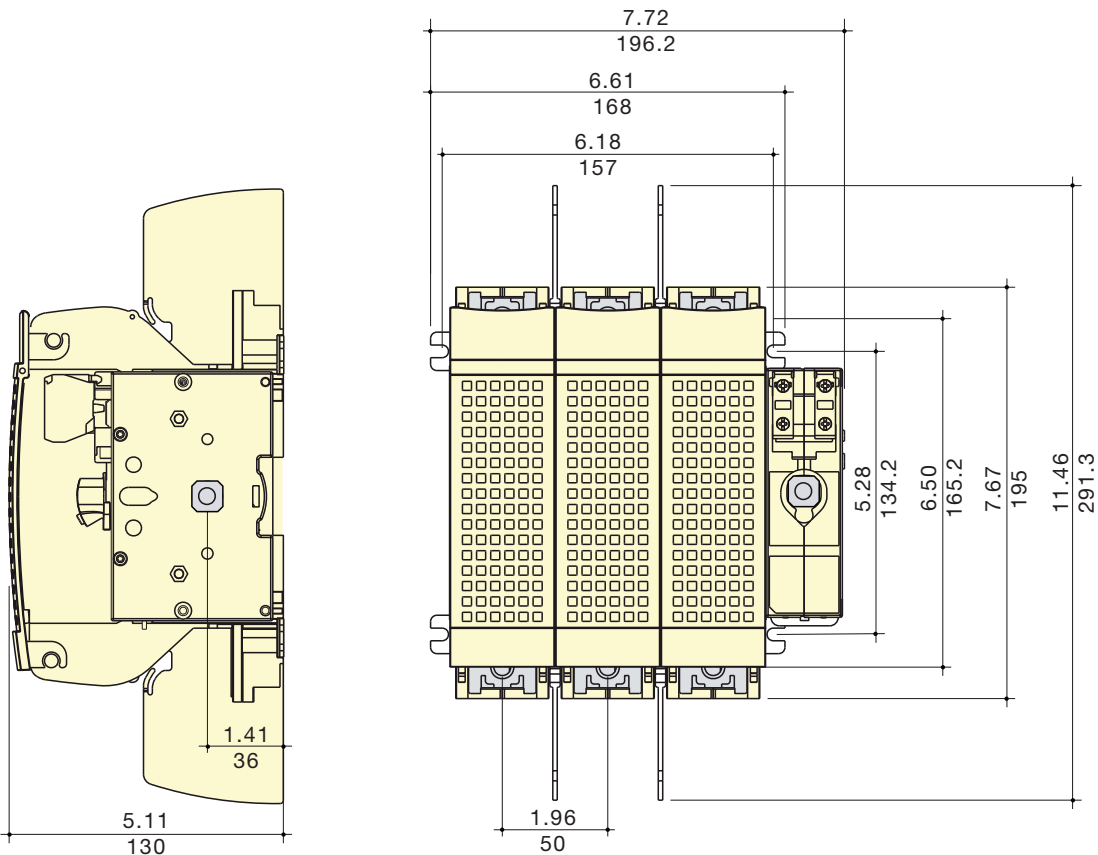
fuser-ul_002_a_1_x_cat

Note for width:

For 2 pole device decrease overall width by 1.41 in / 36 mm.

For 4 pole device increase overall width by 1.41 in / 36 mm.

200 A / J - Frame size 6



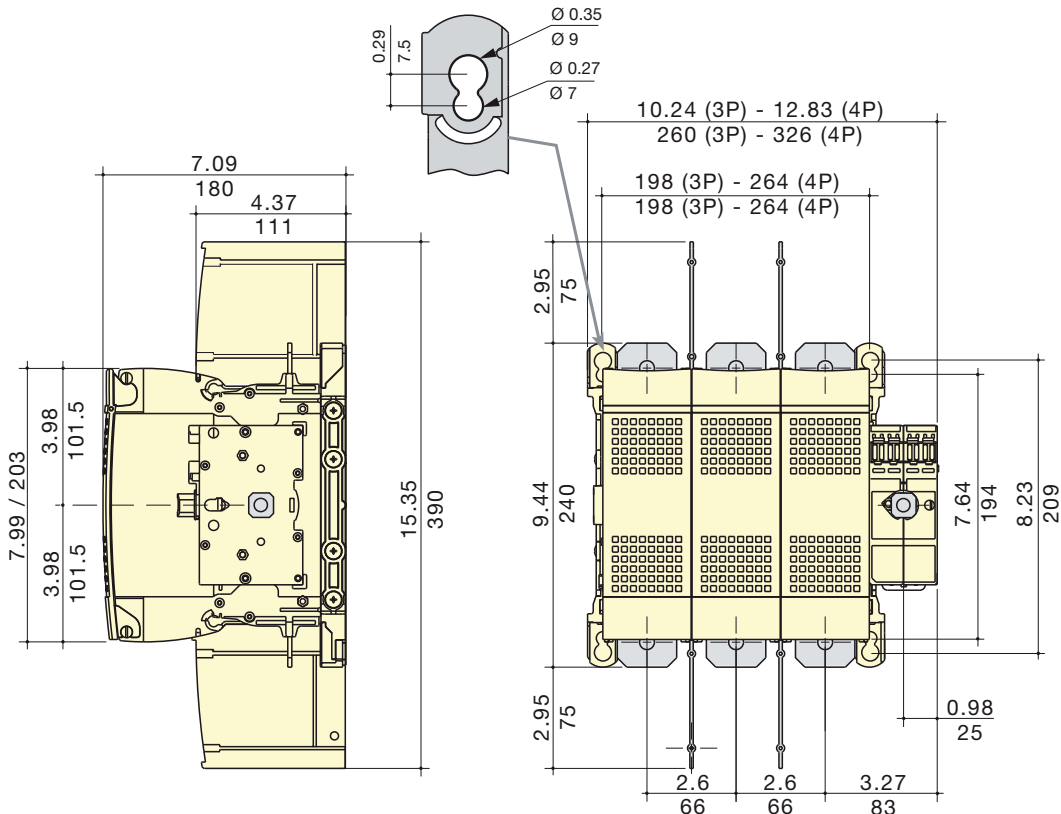
fuser-ul_003_a_1_x_cat

Note for width:

For 2 pole device decrease overall width by 1.96 in / 50 mm.

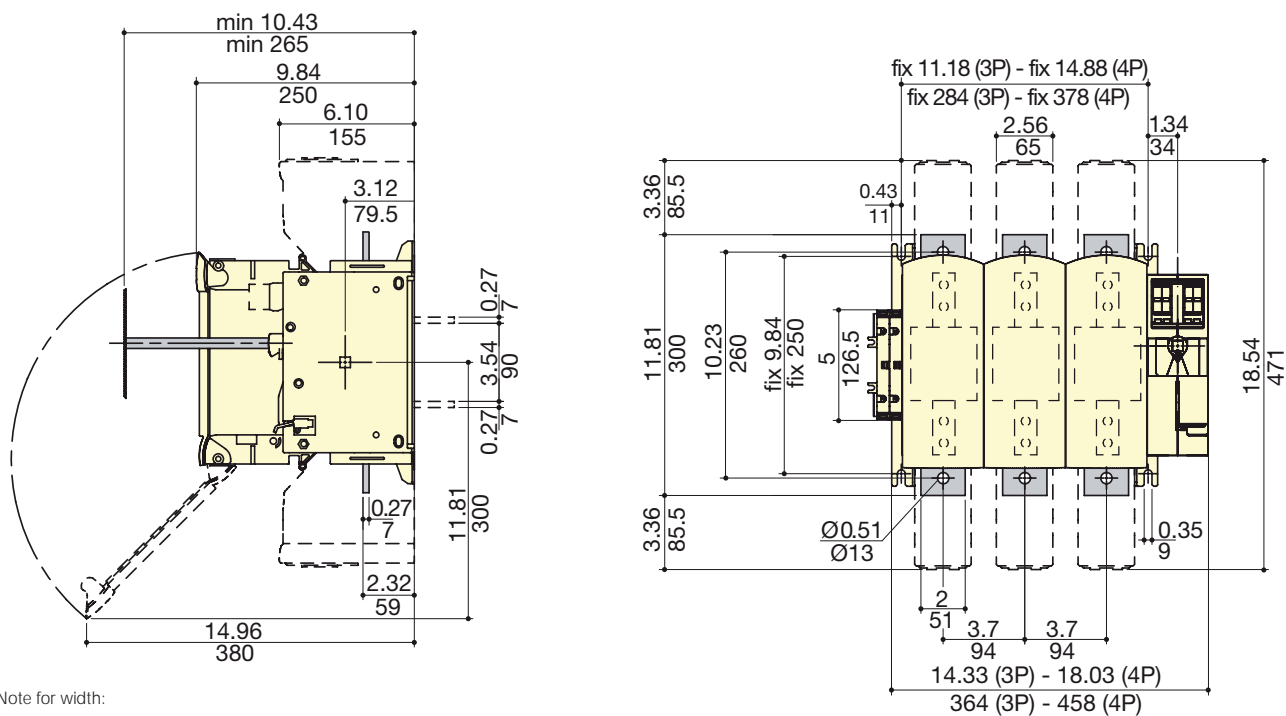
For 4 pole device increase overall width by 1.96 in / 50 mm.

400 A / J - Frame size 7



Note for width:
 For 2 pole device decrease overall 3 pole width by 2.59 in / 66 mm.

600 to 800 A / J - Frame size 8



Note for width:
 For 2 pole device decrease overall 3 pole width by 3.7 in / 94 mm.

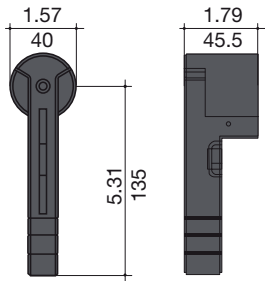
FUSERBLOC UL

Fusible disconnect switches UL and CSA
from 30 to 800 A

Dimensions (in/mm) (continued)

30 to 400 A

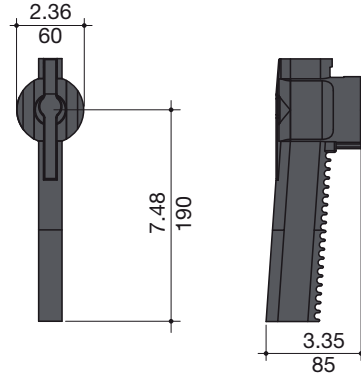
Front direct handle



silco-ul_027_a_1_x_cat

600 to 800 A

Front direct handle



silco_267_b_1_x_cat

External handle dimensions (in/mm)

CD 30 A - Frame size 1 / 2

Handle type	Front operation Direction of operation	Side operation Direction of operation	Door drilling
S0 type 			<p>With 4 fixing screws</p> <p>With fixing nut</p>

fuser-ul_015_a_1_gb_cat

CD 30 to 60 A - Frame size 1 / 2 / 4

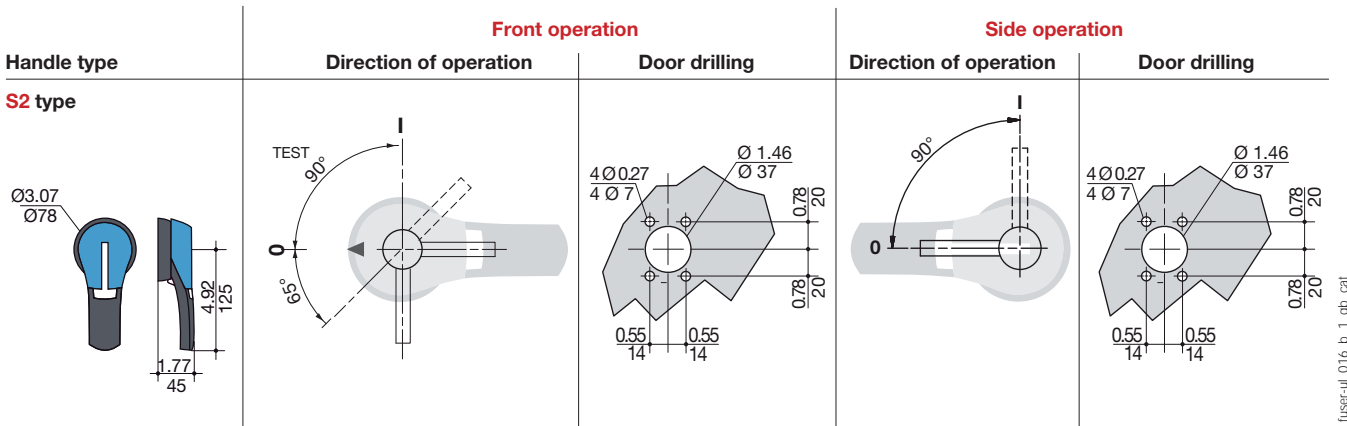
Handle type	Front operation Direction of operation	Door drilling	Side operation ⁽¹⁾ Direction of operation	Door drilling
S1 type 				

fuser-ul_015_b_1_gb_cat

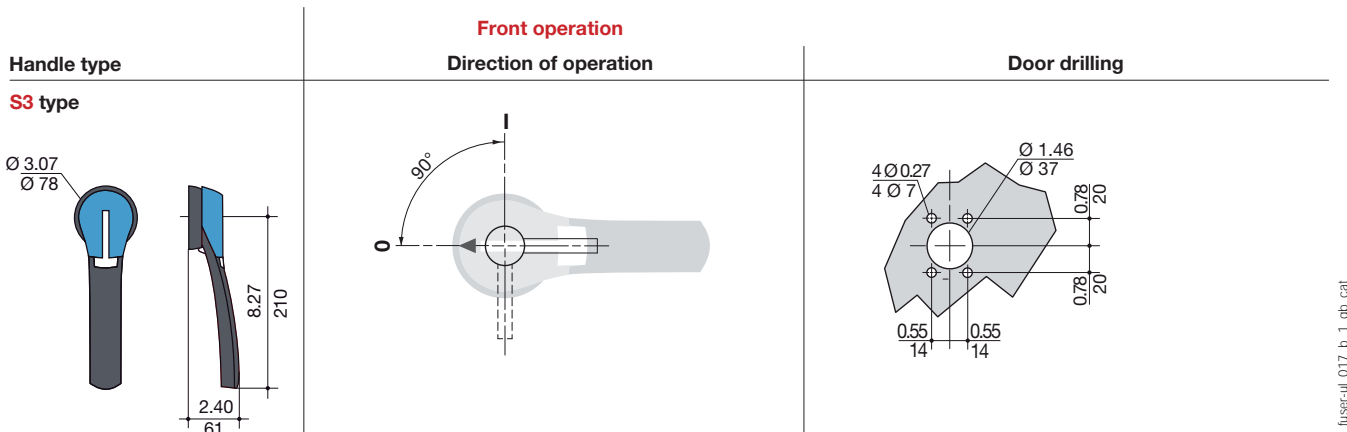
(1) Not for frames 1 and 2.

External handle dimensions (in/mm)

60 to 400 A - Frame size 5 / 6 / 7

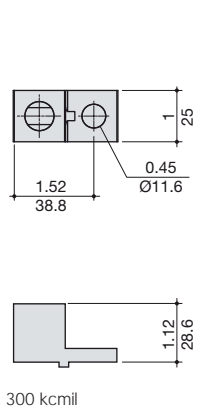


600 and 800 A - Frame size 8

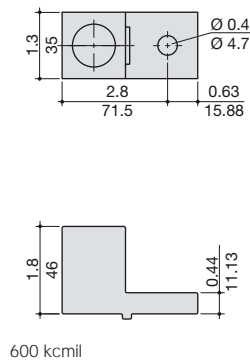


Terminal lugs (in/mm)

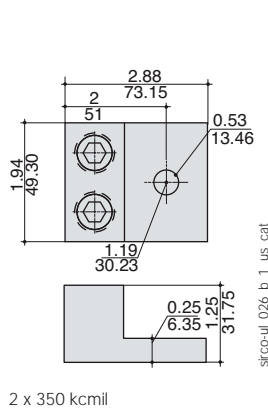
200 A



400 A



400 A



600 to 800 A

