

# FUSERBLOC uR

Fused combination switches to protect power semiconductors

50 to 1250 A

Fuse protection



## Function

**FUSERBLOC uR** are multipole fuse combination switches with manual right front-side operation and high-speed fuses. Combined with high-speed fuses (uR curve), they can break or make under load, and provide safe isolation and protection from overcurrent for power semiconductors (variable drivers, inverters, etc.) up to 1250 A. This range includes versions for direct and external operation, 2, 3 and 4 poles and up to 1250 A.

## Advantages

### Limiting short-circuit current

The fuse solution for limiting short-circuit current is by far the most efficient and economical in the market (uR fuses).

### Optimum safety

The double disconnect per phase (upstream-downstream of the fuse) and the fully visible cut-off guarantee the safety of people and equipment against overcurrents.

### High breaking capacity

High breaking capacity fuses (300 kA rms) provide protection from overloads and short circuits.

## The solution for

- > Energy
- > Industry

## Strong points

- > Limiting short-circuit current
- > Optimum safety
- > High breaking capacity

## Conformity to standards

- > IEC 60947-3
- > EN 60947-3

## Sustainable advantages :

- > Replace only the fuse - not the entire protection system - to extend the installation's lifespan
- > RoHS & REACH compliant

## FUSERBLOC for 690 VAC cylindrical uR fuses

### Characteristics

<b>FUSERBLOC CD 50 A for 14 x 51 fuses</b>								
Fuse rating (A)	10	12	16	20	25	32	40	50
I max. for FUSERBLOC (A)	10	12	16	20	25	29	36	40
<b>FUSERBLOC CD 125 A for 22 x 58 fuses</b>								
Fuse rating (A)	20	25	32	40	50	63	80	100
I max. for FUSERBLOC (A)	20	25	32	40	50	63	71	85

### References

#### Front or right-side external operation

Rating (A) / Fuse size / Frame size	No. of poles	Switch	External front handle	External side handle	Shaft for external operation	Auxiliary contact for pre-break and position signalling
50 A / 14 x 51 11	2 P	3831 <b>2005</b>	Black IP55 1411 <b>2111</b>	Black IP55 1415 <b>2111</b>	320 mm 1400 <b>1032</b>	1 NC contact 3999 <b>0701</b>  1 NO contact 3999 <b>0702</b>
	3 P	3831 <b>3005</b>	Red/Yellow IP65 1414 <b>2111</b>	Red / Yellow IP65 1418 <b>2111</b>		
	4 P	3831 <b>6005</b>				
125 A / 22 x 58 13	2P	3831 <b>2011</b>	Black IP55 1421 <b>2111</b>	Black IP55 1425 <b>2111</b>		
	3 P	3831 <b>3011</b>	Red IP65 1424 <b>2111</b>	Red/Yellow IP65 1428 <b>2111</b>		
	4 P	3831 <b>6011</b>				

### Accessories

For other accessories, see "FUSERBLOC" pages.

# FUSERBLOC uR

Fused combination switches to protect power semiconductors

50 to 1250 A

FUSERBLOC for 690 VDC uR knife-edge fuses DIN 43620

## Characteristics

<b>FUSERBLOC 160 A for fuses size 000 and 00</b>																
Fuse rating (A)	10	16	20	25	32	40	50	63	80	100	125	160	200	250	315	
I max. for FUSERBLOC (A)	10	16	20	25	32	32	37	44	51	92	105	121	140	140	140	
<b>FUSERBLOC 250 A for size 1 fuses*</b>																
Fuse rating (A)				40	50	63	80	100	125	160	200	250	315	350	400	
I max. for FUSERBLOC (A)				40	50	63	80	100	125	155	178	205	210	215	220	
<b>FUSERBLOC 400 A for size 2 fuses</b>																
Fuse rating (A)						200	250	315	350	400	450	500	550	630	700	
I max. for FUSERBLOC (A)						120	150	169	210	330	330	340	340	350	350	
<b>FUSERBLOC 630 A for size 3 fuses</b>																
Fuse rating (A)										500	550	630	700	800	900	1000
I max. for FUSERBLOC (A)										360	380	420	450	480	500	510

## References

### Front or right-side external operation

Rating (A) / Fuse size / Frame size	No. of poles	Switch	External front handle	External side handle	Shaft for external operation	Auxiliary contact for pre-break and position signalling	Fuse protection cover
160 A / 0 13	2 P	3831 2015	Black IP55 1421 2111	Black IP55 1425 2111	200 mm 1400 1020	1 NC contact 3999 0701	3990 7015 <sup>(1)</sup>
	3 P	3831 3015					3990 8015 <sup>(1)</sup>
	4 P	3831 6015					3990 9015 <sup>(1)</sup>
160 A / 0 14	2 P	3831 2016	Red/Yellow IP65 1424 2111	Red/Yellow IP65 1428 2111	320 mm 1400 1032	1 NO contact 3999 0702	3990 7016 <sup>(1)</sup>
	3 P	3831 3016					3990 8016 <sup>(1)</sup>
	4 P	3831 6016					3990 9016 <sup>(1)</sup>
250 A / 1 15	4 P	3831 6024					3990 9024 <sup>(1)</sup>
400 A / 2 16	4 P	3831 6039					3990 9039 <sup>(1)</sup>
630 A / 3 17	2 P	3811 2063	Black IP65 1433 3111	Black IP65 1437 3111	200 mm 1400 1220	1 NO contact 3999 0702	3990 7063 <sup>(1)</sup>
	3 P	3811 3063					3890 8063 <sup>(1)</sup>
	4 P	3811 6063	Red/Yellow IP65 1434 3111	Red/Yellow IP65 1438 3111	320 mm 1400 1232		3890 9063 <sup>(1)</sup>

(1) Protection covers for FUSERBLOC devices equipped with auxiliary contacts for fuse blown signal.

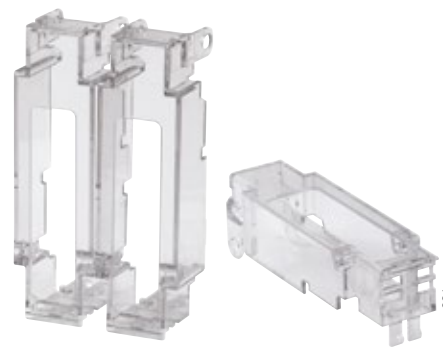
### Accessories

#### Protection covers for FUSERBLOC devices equipped with auxiliary contacts for fuse blown signal

##### Use

Protection from direct contact with live parts located in the fuse compartment, for FUSERBLOC devices equipped with uR fuses with auxiliary contacts for fuse blown signal.

Rating (A)	Fuses <sup>(1)</sup>	No. of poles	Option <sup>(2)</sup>	Accessories <sup>(3)</sup>
			(factory fit)	(customer fit)
			References	References
160	00	2 P	3990 <b>7015</b>	3999 <b>7015</b>
160	00	3 P	3990 <b>8015</b>	3999 <b>8015</b>
160	00	4 P	3990 <b>9015</b>	3999 <b>9015</b>
160	0	2 P	3990 <b>7016</b>	3999 <b>7016</b>
160	0	3 P	3990 <b>8016</b>	3999 <b>8016</b>
160	0	4 P	3990 <b>9016</b>	3999 <b>9016</b>
250	1	2 P	3990 <b>7024</b>	3999 <b>7024</b>
250	1	3 P	3990 <b>8024</b>	3999 <b>8024</b>
250	1	4 P	3990 <b>9024</b>	3999 <b>9024</b>
400	2	2 P	3990 <b>7039</b>	3999 <b>7039</b>
400	2	3 P	3990 <b>8039</b>	3999 <b>8039</b>
400	2	4 P		3999 <b>9039</b>
630	3	3 P	3890 <b>8063</b>	3899 <b>8063</b>
630	3	4 P	3890 <b>9063</b>	3899 <b>9063</b>



access\_221\_apv

(1) For fuses, see "uR fuses 10 to 2000 A" pages.

(2) If ordered with the basic device.

(3) If ordered later.

For other accessories, see "FUSERBLOC" pages.

#### FUSERBLOC for 690 VDC uR type K/50 fuses

### Characteristics

FUSERBLOC V 800 A for BK size 2 fuse														
Fuse rating (A)	400	450	500	550	630	700	800	900	1000	1100	1250			
I max. for FUSERBLOC (A)	380	420	440	450	500	520	530	530	530	540	550			
FUSERBLOC 1250 A for size 3 fuses														
Fuse rating (A)	500	550	630	700	800	900	1000	1100	1250	1400	1500	1600	1800	2000
I max. for FUSERBLOC (A)	500	550	620	630	720	790	870	940	1050	1100	1100	1100	1100	1100

### References

#### Front operation

Rating (A) / Fuse	No. of poles	Switch body <sup>(1)</sup>	Direct handle	External handle	Shaft for external operation	Fuse protection cover	Auxiliary contact for pre-break and position signalling	Terminal shroud
800 A / 2	3 P	3680 <b>3081</b>	3999 <b>6012</b>	Black IP55 1443 <b>3111</b> <sup>(2)</sup>	200 mm 1400 <b>1220</b>	included	1 <sup>st</sup> NO/NC 3999 <b>0051</b> 2 <sup>nd</sup> NO/NC 3999 <b>0052</b>	3998 <b>3063</b>
1250 A / 3	3 P	3680 <b>3121</b>		Red/Yellow IP65 1444 <b>3111</b>	320 mm 1400 <b>1232</b>			3998 <b>3120</b>

(1) Contact us.

(2) Standard.

# FUSERBLOC uR

Fused combination switches to protect power semiconductors

50 to 1250 A

## FUSERBLOC for uR type K/110 fuses

### Characteristics

FUSERBLOC 250 A for 690 VAC size 1 fuses <sup>(1)</sup>																
Fuse rating (A)	40	50	63	80	100	125	160	200	250	315	350	400	450	500	550	630
I max. for FUSERBLOC (A)	40	50	63	80	100	120	140	165	195	215	230	240	240	240	230	240
FUSERBLOC 400 A for 690 VAC size 1 fuses <sup>(1)</sup>																
Fuse rating (A)					200	250	315	350	400	450	500	550	630	700	800	900
I max. for FUSERBLOC (A)					145	165	200	220	240	265	290	310	340	370	395	395
FUSERBLOC 500 A for 690 VAC size 2 fuses <sup>(1)</sup>																
Fuse rating (A)											400	450	500	550	630	700
I max. for FUSERBLOC (A)											320	345	370	390	425	460
FUSERBLOC 630 A for 690 VAC size 2 fuses <sup>(1)</sup>																
Fuse rating (A)											800	900	1000	1100	1250	
I max. for FUSERBLOC (A)											495	545	590	610	620	
FUSERBLOC 800 A for 690 VAC size 3 fuses <sup>(1)</sup>																
Fuse rating (A)			500	550	630	700	800	900	1000	1100	1250	1400	1500	1600	1800	2000
I max. for FUSERBLOC (A)			370	395	440	480	535	590	645	695	760	800	800	800	800	800

FUSERBLOC 1250 A for fuses size 3, contact us.

(1) For 1250 VAC uR type K/110 fuses, please contact us.

### References

#### Right-side or front direct operation

Rating (A) / Fuse size / Frame size	No. of poles	Switch	Side handle, direct operation	Front handle, direct operation	Fuse protection cover	Auxiliary contact for pre-break and position signalling	Terminal shroud	
250 A / 1* / 6	2 P	36U1 2024	Black 3629 7901		2 P 3990 2839 <sup>(1)</sup>	1 NO/NC contact 3999 0021	2 P 3998 2025	
	3 P	36U1 3024						
400 A / 1 / 6	2P	36U1 2039					3 P 3990 3839 <sup>(1)</sup>	3 P 3998 3025
	3 P	36U1 3039						
500 A / 2 / 17	2 P	38U1 2050	Black 1437 7911	Black 3899 6011	2 P 3890 2U63 <sup>(1)</sup>	1 NC contact 3999 0701	2P 3898 2080	
	3 P	38U1 3050						
630 A / 2 / 17	2 P	38U1 2063					3 P 3890 3U63 <sup>(1)</sup>	3 P 3898 3080
	3 P	38U1 3063						
800 A / 3 / 18	3 P	38U1 3080					1 NO contact 3999 0702	3898 2120
1250 A / 3 / 18	2P	38U1 2120						
	3 P	38U1 3120	3898 3120					

(1) Protection covers for FUSERBLOC devices equipped with auxiliary contacts for fuse blown signal.

### References (continued)

#### External right-side or front operation

Rating (A) / Fuse size / Frame size	No. of poles	Switch	External front handle	External side handle	Shaft for external operation	Fuse protection cover	Auxiliary contact for pre-break and position signalling	Terminal shroud
250 A / 1 / 16	2 P	38U1 2024	S2 type Black IP55 1421 2111	S2 type Black IP55 1425 2111	320 mm 1400 1032	2 P 3990 2839 <sup>(1)</sup>		2 P 3998 2025
	3 P	38U1 3024						
400 A / 1 / 16	2 P	38U1 2039	Red IP65 1424 2111	Red/Yellow IP65 1428 2111		3 P 3990 3839 <sup>(1)</sup>		3 P 3998 3025
	3 P	38U1 3039						
500 A / 2 / 17	2 P	38U1 2050	S3 type Black IP65 1433 3111	S3 type Black IP65 1437 3111	320 mm 1400 1232	2 P 3890 2U63 <sup>(1)</sup>	1 NC contact 3999 0701	2 P 3898 2080
	3 P	38U1 3050						
630 A / 2 / 17	2 P	38U1 2063	Red/Yellow IP65 1434 3111			S3 type Black IP65 1437 3111	3 P 3890 3U63 <sup>(1)</sup>	3 P 3898 3080
	3 P	38U1 3063						
800 A / 3 / 17	3 P	38U1 3080		Red/Yellow IP65 1438 3111				
1250 A / 3 / 18	2 P	38U1 2120	S4 type Black IP65 1443 3111		Standard		1 NO contact 3999 0702	2 P 3898 2120
	3 P	38U1 3120	Red/Yellow IP65 1444 3111					3 P 3898 3120

(1) Protection covers for FUSERBLOC devices equipped with auxiliary contacts for fuse blown signal.

### Accessories

#### Protection covers for FUSERBLOC devices equipped with auxiliary contacts for fuse blown signal

##### Use

Protection from direct contact with live parts located in the fuse compartment, for FUSERBLOC devices equipped with uR fuses with auxiliary contacts for fuse blown signal.

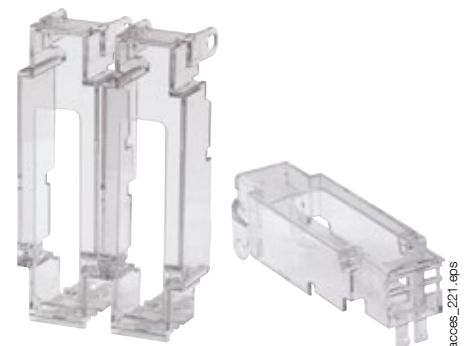
Rating (A)	Fuses <sup>(3)</sup>	No. of poles	Option <sup>(2)</sup>	Accessories <sup>(1)</sup>
			(factory fit) Reference	(customer fit) Reference
250 ... 400	1* / 1	3 P	3990 3839	3999 3839
500 ... 800	2 / 3	2 P	3890 2U63	3899 2U63
500 ... 800	2 / 3	3 P	3890 3U63	3899 3U63
1250	3	2 P	Standard	Standard
1250	3	3 P	Standard	Standard

(1) If ordered later.

(2) If ordered with the basic device.

(3) For fuses, see "uR fuses 10 to 2000 A" pages.

For other accessories, see "FUSERBLOC" pages.



access\_221.eps