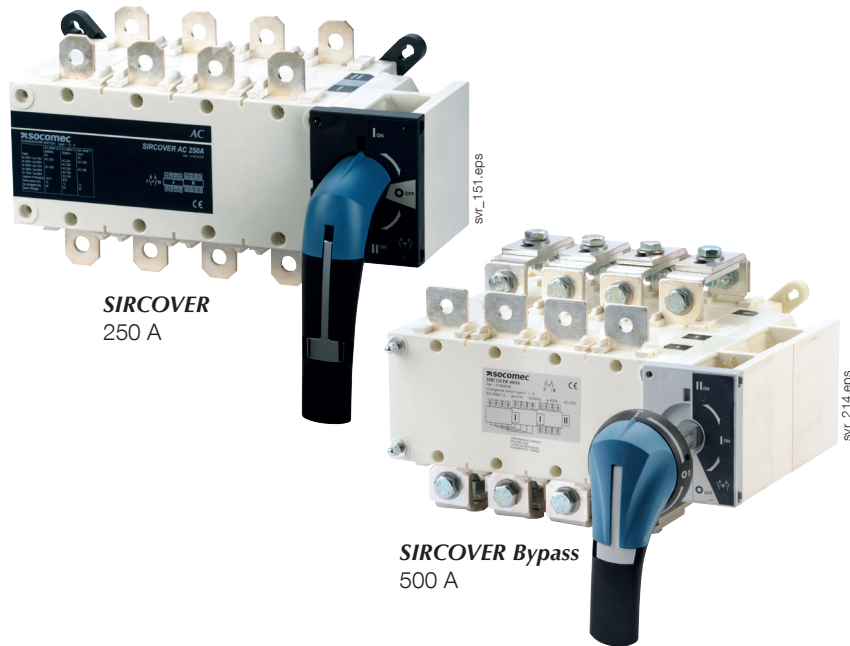


SIRCOVER

Manually operated Transfer Switching Equipment

from 125 to 3200 A



SIRCOVER
250 A

SIRCOVER Bypass
500 A

Function

SIRCOVER products are manually operated transfer switches with positive break indication. There are 4 ranges in the series:

- **SIRCOVER** for open-transition switching (I-0-II) available in 3 or 4 pole.
- **SIRCOVER** for overlapping contact switching (I-I+II-II). For applications where both sources are synchronised and there is to be no interruption to the load supply during transfer - available in 3 or 4 pole.
- **SIRCOVER Bypass** This combination of three interlocked load break switches provides 3+6 or 4+8 poles for bypass applications.
- **SIRCOVER Bypass** for overlapping contact switching (I-I+II-II). This combination of three interlocked load break switches provides bypass to a UPS or other devices when sources are synchronised and the UPS is in static bypass mode.

They provide on-load transfer between two sources for any low voltage power circuit, as well as safety isolation by double breaking per pole. Other applications include source inversion (e.g. to change the direction of a motor) or grounding/earthing.

Advantages

A complete range

There are 4 SIRCOVER models to meet every need:

The standard model I-0-II, the overlapping contact model I-I+II-II, the bypass model and the bypass with overlapping contact model I-I+II-II.

Easy to connect

For ratings of 2000 to 3200 A, we offer Copper bar connection pieces. This gives you the option of different connection methods - flat, edgewise with top or bottom bridging.

Stable positions

SIRCOVER devices have three stable positions, unaffected by voltage fluctuations and vibrations, protecting loads from network disturbances.

On-load switching

With its AC-23 and AC-33 characteristics, tested according to standards IEC 60947-3 and IEC 60947-6-1, the SIRCOVER enables safe on-load switching for any type of load. With its on-load transfer capabilities, it is not necessary to isolate loads prior to transfer therefore the SIRCOVER offers an economical solution.

The solution for

- > Manufacture
- > Power distribution



Strong points

- > Complete range
- > Easy to connect
- > Stable positions
- > On-load switching

Conformity to standards

- > IEC 60947-6-1
- > IEC 60947-3
- > GB/T 14048-11



Approvals and certifications⁽¹⁾



⁽¹⁾ Product part numbers on request.

SIRCOVER in enclosure



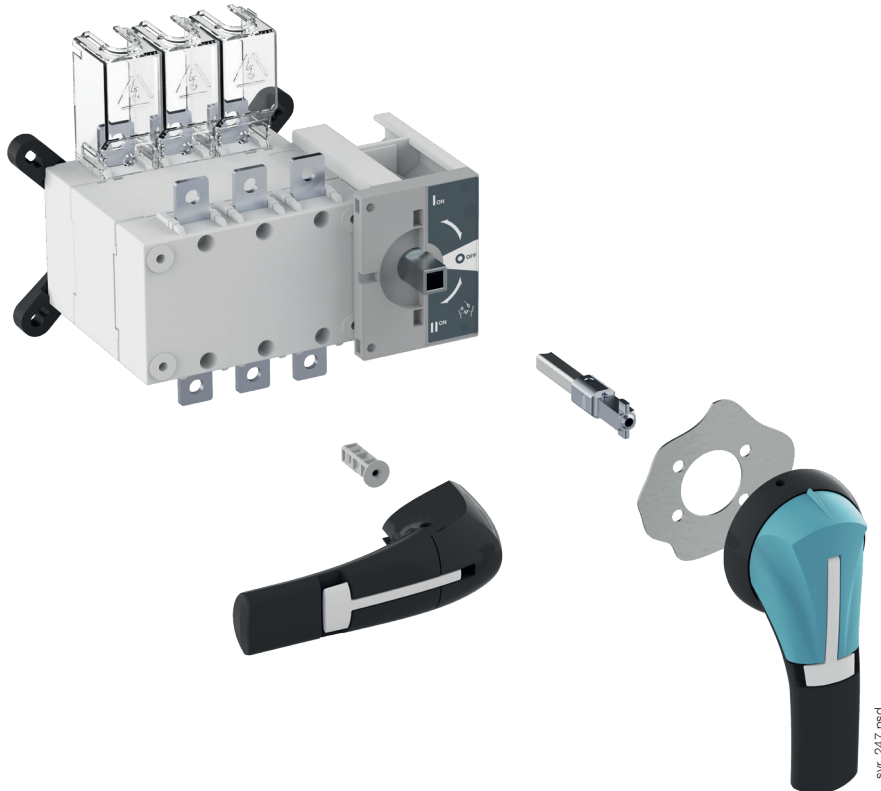
See "Enclosed transfer switches"

Sustainable advantages

- > Robust design, using durable and stable materials to maximise product lifetime.
- > Tested beyond market standards to maximise product lifetime - even in severe operating environments.
- > RoHS & REACH compliant

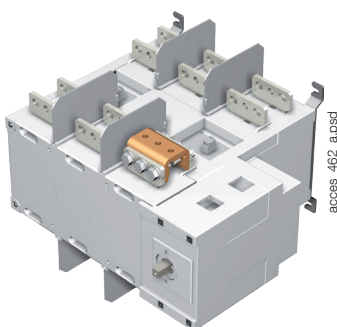
What you need to know

- SIRCOVER with **break-before-make contacts (I-0-II)** are available as 3 or 4 pole models with ratings of 125 to 3200 A. They are available in steel or polyester enclosures (125 to 1600 A).
- SIRCOVER switches **with overlapping contacts (I-I+II-II)** are available as 3 or 4 pole models from 125 to 1600 A. They are available in steel enclosures.
- With **break-before-make (I-0-II) or overlapping contact positions (I-I+II-II)**, SIRCOVER Bypass devices are a combination of three interlocked switches enabling the use with 3+6 or 4+8 poles from 125 to 1600 A. They are available in steel enclosures.
- All SIRCOVER can be operated with **direct front operation or external handles**.



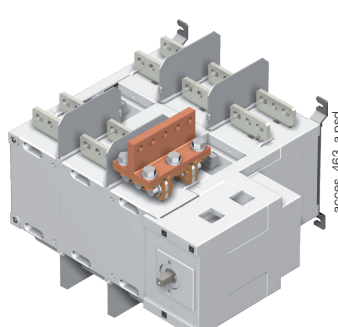
- **Copper bar connection pieces** enable connection between the 2 power terminals of the same pole (Fig. 1 and 2) and the bridging of switch I and switch II on the top or the bottom for ratings 2000, 2500 and 3200 A (Fig. 3).

Fig. 1



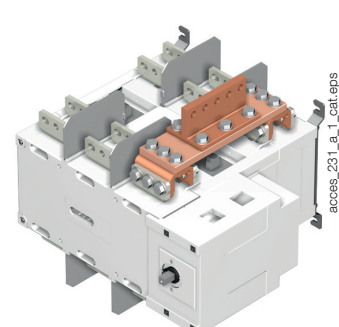
Top or bottom
flat connection

Fig. 2



Top or bottom
edgewise connection

Fig. 3



Top or bottom
bridging connection

SIRCOVER

Manually operated Transfer Switching Equipment

from 125 to 3200 A

References

SIRCOVER I-0-II

Rating(A) / Frame size	No. of poles	Switch body	Direct handle	External handle	Shaft for external operation	Bridging bars	Auxiliary contact	Terminal shrouds	Terminal screens	Inter-phase barriers
125 A / B3	3 P	41AC 3013	J2 type Blue 1122 1111 Red 1123 1111	S2 type Black IP55 1421 2113 IP65 1423 2113 ⁽¹⁾	200 mm 1400 1020	4109 0019 ⁽⁶⁾	1st/2nd NO/NC contact 4109 0021 ⁽²⁾	3 P 2694 3014 ⁽³⁾⁽⁴⁾ 4 P 2694 4014 ⁽³⁾⁽⁴⁾	3 P 1509 3012 4 P 1509 4012	3P 2998 0033 ⁽⁸⁾ 4P 2998 0034 ⁽⁸⁾
	4 P	41AC 4013								
160 A / B3	3 P	41AC 3016								
	4 P	41AC 4016								
200 A / B3	3 P	41AC 3020								
	4 P	41AC 4020								
250 A / B4	3 P	41AC 3025								
	4 P	41AC 4025								
315 A / B4	3 P	41AC 3031								
	4 P	41AC 4031								
400 A / B4	3 P	41AC 3040								
	4 P	41AC 4040								
500 A / B5	3 P	41AC 3050								
	4 P	41AC 4050								
630 A / B5	3 P	41AC 3063								
	4 P	41AC 4063								
800 A / B6	3 P	41AC 3080								
	4 P	41AC 4080								
1000 A / B6	3 P	41AC 3100	J3 type Black 1132 1111	S4 type Black IP65 1443 3113	200 mm 1401 1520	4109 0080 ⁽⁶⁾	-	-	3 P 1509 3080 4 P 1509 4080	Included
	4 P	41AC 4100								
1250 A / B6	3 P	41AC 3120								
	4 P	41AC 4120								
1600 A / B7	3 P	41AC 3160								
	4 P	41AC 4160								
2000 A / B8	3 P	41AC 3200	S5 type Black 2799 7042	S5 type Black IP65 1453 8113	200 mm 2799 3015	5	1st and 2nd NO/NC contact included	-	included	
	4 P	41AC 4200								
2500 A / B8	3 P	41AC 3250								
	4 P	41AC 4250								
3200 A / B8	3 P	41AC 3320								
	4 P	41AC 4320								

(1) Standard

(2) 2 contacts supplied: one for position I and one for position II.

(3) For complete shrouding at front, rear, top and bottom, order quantity 4; if equipped with bridging bars order quantity 3.

(4) For top and bottom shrouding for the front only, order quantity 2.

(5) See "Copper bar connection kits"

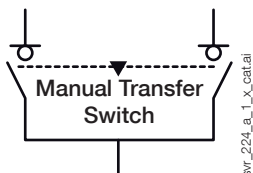
(6) For a 3-pole device order quantity 3 bridging bars. For a 4-pole device order quantity 4.

(7) Shaft guide : reference 1429 0000 for shafts longer than 320 mm.

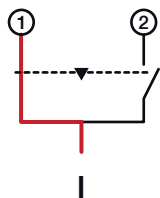
(8) A 3-pole reference contains 2 screens, a 4-pole reference contains 3.

Operating principle

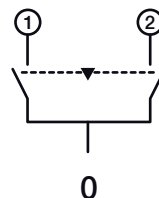
SIRCOVER I-0-II



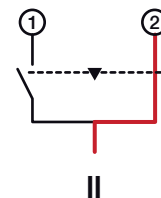
svr_224_a_1_x_cat1ai



I



0



svr_225_a_1_x_cat1ai

References (continued)

SIRCOVER I-I+II-II

Rating (A) / Frame size	No. of poles	Switch body	Direct handle	External handle	Shaft for external operation	Bridging bars	Auxiliary contact	Terminal shrouds	Terminal screens	Inter-phase barriers
125 A / B3	3 P	4190 3013	J2 type Blue 1122 1111 Red 1123 1111	S2 type Blue IP65 1423 2114	200 mm 1400 1020 320 mm 1400 1032 ⁽¹⁾	4109 0019 ⁽⁵⁾	1 st /2 nd NO/NC contact 4109 0021 ⁽²⁾	3 P 2694 3014 ⁽³⁾⁽⁴⁾ 4 P 2694 4014 ⁽³⁾⁽⁴⁾	3 P 1509 3012 4 P 1509 4012	3 P 2998 0033 ⁽⁶⁾ 4 P 2998 0034 ⁽⁶⁾
	4 P	4190 4013								
160 A / B3	3 P	4190 3016								
	4 P	4190 4016								
200 A / B3	3 P	4190 3019								
	4 P	4190 4019								
250 A / B4	3 P	4190 3025								
	4 P	4190 4025								
400 A / B4	3 P	4190 3039								
	4 P	4190 4039								
630 A / B5	3 P	4190 3063								
	4 P	4190 4063								
800 A / B6	3 P	4190 3080								
	4 P	4190 4080								
1250 A / B6	3 P	4190 3120	J3 type Black 1132 1111	S4 type Blue IP65 1443 3114	200 mm 1401 1520 320 mm 1401 1532 ⁽¹⁾	4109 0080 ⁽⁵⁾	-	3 P 1509 3080 4 P 1509 4080	3 P 2998 0013 ⁽⁶⁾ 4 P 2998 0014 ⁽⁶⁾	
	4 P	4190 4120								
1600 A / B7	3 P	4190 3160								
	4 P	4190 4160								

(1) Standard.

(2) 2 contacts supplied: one for position I and one for position II.

(3) For complete shrouding at front, rear, top and bottom, order quantity 4; if equipped with bridging bars order quantity 3.

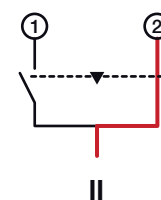
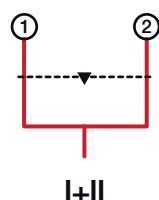
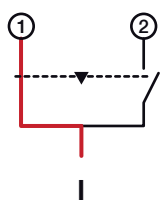
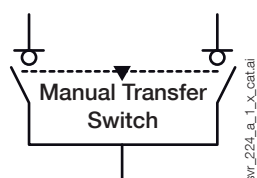
(4) For top and bottom shrouding for the front only, order quantity 2.

(5) For a 3-pole device order quantity 3 bridging bars. For a 4-pole device order quantity 4.

(6) A 3-pole reference contains 2 screens, a 4-pole reference contains 3.

Operating principle

SIRCOVER I-I+II-II



Warning: Please note that in I+II position there is contact overlapping.
If a UPS is present, make sure it is operating in static bypass mode before use.

SIRCOVER

Manually operated Transfer Switching Equipment
from 125 to 3200 A

References (continued)

SIRCOVER Bypass I-0-II

Rating (A) / Frame size	No. of poles	Switch body	Direct handle	External handle	Shaft for external operation	Bridging bars	Auxiliary contact	Terminal shrouds	Terminal screens	Inter-phase barriers
125 A / B3	3 P	41AC 7013	J2 type Blue 1122 1111	S2 type Blue IP55 1421 2113	200 mm 1400 1020	4109 0019 ⁽⁶⁾		3 P 2694 3014 ⁽³⁾⁽⁴⁾ 4 P	3 P 1509 3012 4 P	3 P 2998 0033 ⁽⁸⁾ 4 P
	4 P	41AC 9013								
160 A / B3	3 P	41AC 7016	Red 1123 1111	Blue IP65 1423 2113 ⁽¹⁾	320 mm 1400 1032 ⁽¹⁾			3 P 2694 4014 ⁽³⁾⁽⁴⁾ 4 P	3 P 1509 4012 4 P	3 P 2998 0034 ⁽⁸⁾ 4 P
	4 P	41AC 9016								
200 A / B3	3 P	41AC 7020								
	4 P	41AC 9020								
250 A / B4	3 P	41AC 7025				4109 0025 ⁽⁶⁾		3 P 2694 3021 ⁽³⁾⁽⁴⁾ 4 P	3 P 1509 3025 4 P	3 P 2998 0023 ⁽⁸⁾ 4 P
	4 P	41AC 9025								
400 A / B4	3 P	41AC 7040	J3 type Black 1132 1111	S3 type Blue IP65 1433 3113	200 mm 1401 1520 320 mm 1401 1532 ⁽¹⁾	4109 0039 ⁽⁶⁾	1 st /2 nd NO/NC contact 4109 0021 ⁽²⁾	3 P 2694 4021 ⁽³⁾⁽⁴⁾ 4 P	3 P 1509 4025 4 P	3 P 2998 0024 ⁽⁸⁾ 4 P
	4 P	41AC 9040								
630 A / B5	3 P	41AC 7063				4109 0063 ⁽⁶⁾		3 P 2694 3051 ⁽³⁾⁽⁴⁾ 4 P	3 P 1509 3063 4 P	3 P 2998 0013 ⁽⁸⁾ 4 P
	4 P	41AC 9063								
800 A / B6	3 P	41AC 7080			200 mm 2799 3015 320 mm 2799 3018 ⁽¹⁾	4109 0080 ⁽⁶⁾			3 P 1509 3080 4 P	Included
	4 P	41AC 9080								
1250 A / B6	3 P	41AC 7120	J4 type Black 1142 1111 ⁽⁶⁾	V2 type Black IP65 4199 7146		4109 0120 ⁽⁶⁾				
	4 P	41AC 9120								
1600 A / B7	3 P	41AC 7160			450 mm 2799 3019 ⁽⁷⁾	4109 0160 ⁽⁶⁾			1509 3160	
	4 P	41AC 9160							1509 4160	

(1) Standard

(2) 2 contacts supplied: one for position I and one for position II.

(3) For complete shrouding at front, rear, top and bottom, order quantity 6; if equipped with bridging bars order quantity 4.

(4) For top and bottom shrouding for the front only, order quantity 2.

(5) Double lever handle.

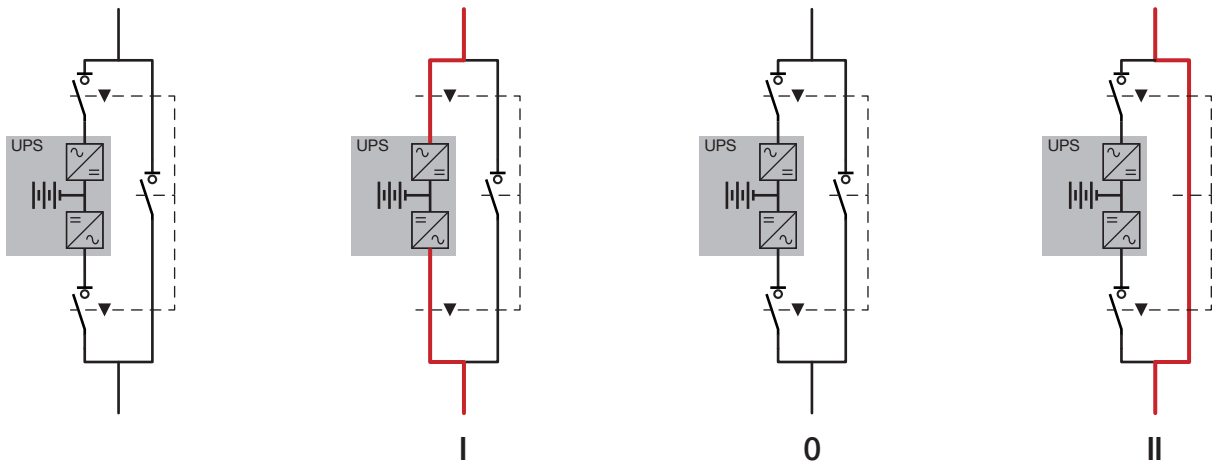
(6) For a 3-pole device order quantity 6 bridging bars. For a 4-pole device order quantity 8.

(7) Shaft guide : reference 1429 0000 for shafts longer than 320 mm.

(8) A 3-pole reference contains 2 screens, a 4-pole reference contains 3.

Operating principle

SIRCOVER Bypass I-0-II



svr_227_ba.1_x_cat.dai

References (continued)

SIRCOVER Bypass I-I+II-II

Rating (A) / Frame size	No. of poles	Switch body	Direct handle	External handle	Shaft for external operation	Bridging bars	Auxiliary contact	Terminal shrouds	Terminal screens	Inter-phase barriers
125 A / B3	3 P	46AC 7013	J2 type Blue 1122 1111	S2 type Blue IP65 1423 2114 ⁽¹⁾	200 mm 1400 1020	4109 0019 ⁽⁶⁾		3 P 2694 3014 ⁽³⁾⁽⁴⁾ 4 P 2694 4014 ⁽³⁾⁽⁴⁾	3 P 1509 3012 4 P 1509 4012	3 P 2998 0033 ⁽⁸⁾ 4 P 2998 0034 ⁽⁸⁾
	4 P	46AC 9013								
160 A / B3	3 P	46AC 7016								
	4 P	46AC 9016								
200 A / B3	3 P	46AC 7020	Red 1123 1111	320 mm 1400 1032 ⁽¹⁾						
	4 P	46AC 9020								
250 A / B4	3 P	46AC 7025	J3 type Black 1132 1111	S3 type Blue IP65 1433 3114	200 mm 1401 1520	4109 0025 ⁽⁶⁾	1 st /2 nd NO/NC contact 4109 0021 ⁽²⁾	3 P 2694 3021 ⁽³⁾⁽⁴⁾ 4 P 2694 4021 ⁽³⁾⁽⁴⁾	3 P 1509 3025 4 P 1509 4025	3 P 2998 0023 ⁽⁸⁾ 4 P 2998 0024 ⁽⁸⁾
	4 P	46AC 9025								
400 A / B4	3 P	46AC 7040								
	4 P	46AC 9040								
630 A / B5	3 P	46AC 7063		320 mm 1401 1532 ⁽¹⁾	4109 0063 ⁽⁶⁾			2694 3051 ⁽³⁾⁽⁴⁾	1509 3063	3 P 2998 0013 ⁽⁸⁾ 4 P 2998 0014 ⁽⁸⁾
	4 P	46AC 9063								
800 A / B6	3 P	46AC 7080	J4 type Black 1142 1111 ⁽⁵⁾	V2 type Black IP65 4199 7146	200 mm 2799 3015	4109 0080 ⁽⁶⁾			3 P 1509 3080 4 P 1509 4080	Included
	4 P	46AC 9080								
1250 A / B6	3 P	46AC 7120								
	4 P	46AC 9120								
1600 A / B7	3 P	46AC 7160		450 mm 2799 3019 ⁽⁷⁾	4109 0160 ⁽⁶⁾			1509 3160	1509 4160	
	4 P	46AC 9160								

(1) Standard

(2) 2 contacts supplied: one for position I and one for position II.

(3) For complete shrouding at front, rear, top and bottom, order quantity 6; if equipped with bridging bars order quantity 4.

(4) For top and bottom shrouding for the front only, order quantity 2.

(5) Double lever handle.

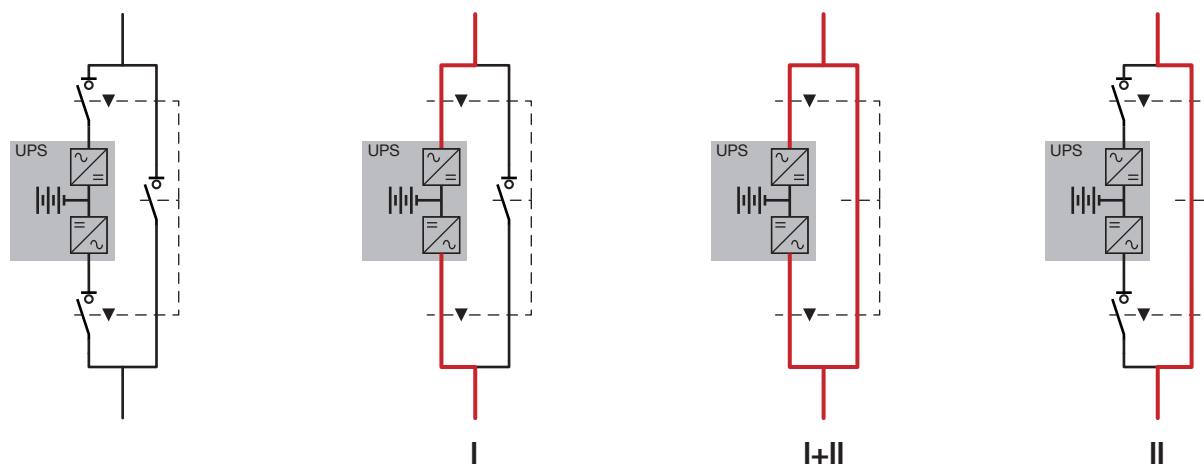
(6) For a 3-pole device order quantity 6 bridging bars. For a 4-pole device order quantity 8.

(7) Shaft guide : reference 1429 0000 for shafts longer than 320 mm.

(8) A 3-pole reference contains 2 screens, a 4-pole reference contains 3.

Operating principle

SIRCOVER Bypass I-I+II-II



Warning: Please note that in I+II position there is contact overlapping.
If a UPS is present, make sure it is operating in static bypass mode before use.

SIRCOVER

Manually operated Transfer Switching Equipment

from 125 to 3200 A

Accessories

Direct operation handle

SIRCOVER I-0-II and I-I+II-II

Rating (A)	Frame size	Handle colour	Handle type	Reference
125 ... 630	B3 ... B5	Blue	J2	1122 1111
125 ... 630	B3 ... B5	Red	J2	1123 1111
800 ... 1600	B6 ... B7	Blue	J3	1132 1111
2000 ... 3200	B8	Black	S5	2799 7042 ⁽¹⁾

SIRCOVER Bypass

Rating (A)	Frame size	Handle colour	Handle type	Reference
125 ... 200	B3	Blue	J2	1122 1111
250 ... 630	B4 ... B5	Blue	J3	1132 1111
800 ... 1600	B6 ... B7	Blue	J4	1142 1111 ⁽¹⁾

(1) Double lever handle.



External operation handle

Use

Door interlocked external front operation handles include an escutcheon, are padlockable and must be used with an extension shaft

SIRCOVER I-0-II and I-I+II-II

Rating (A)	Frame size	Switch operation	External IP	Handle type	Reference
125 ... 630	B3 ... B5	I - 0 - II	IP55 ⁽¹⁾	S2	1421 2113
125 ... 630	B3 ... B5	I - 0 - II	IP65 ⁽¹⁾	S2	1423 2113
125 ... 630	B3 ... B5	I - I+II - II	IP65 ⁽¹⁾	S2	1423 2114
800 ... 1600	B6 ... B7	I - 0 - II	IP65 ⁽¹⁾	S4	1443 3113 ⁽²⁾
800 ... 1600	B6 ... B7	I - I+II - II	IP65 ⁽¹⁾	S4	1443 3114 ⁽²⁾
2000 ... 3200	B8	I - 0 - II	IP65 ⁽¹⁾	S5	1453 8113 ⁽²⁾

(1) IP: Ingress Protection rating according to IEC 60529.

(2) Double lever handle.

SIRCOVER Bypass

Rating (A)	Frame size	Switch operation	External IP	Handle type	Reference
125 ... 200	B3	I - 0 - II	IP55 ⁽¹⁾	S2	1421 2113
125 ... 200	B3	I - 0 - II	IP65 ⁽¹⁾	S2	1423 2113
250 ... 630	B4 ... B5	I - 0 - II	IP65 ⁽¹⁾	S3	1433 3113
800 ... 1600	B6 ... B7	I - 0 - II	IP65 ⁽¹⁾	V2	4199 7146

(1) IP: Ingress Protection rating according to IEC 60529.



Accessories (continued)

Alternative colour S-type handle cover

Use
 For single lever handle types S1, S2, S3
 and double lever handle type S4.

Other colours available:
 please contact us.

Colour	To be ordered in multiples of	Handle type	Reference
Light grey	50	S2, S3	1401 0001
Dark grey	50	S2, S3	1401 0011
Light grey	50	S4	1401 0031
Dark grey	50	S4	1401 0041



S-type handle adaptor

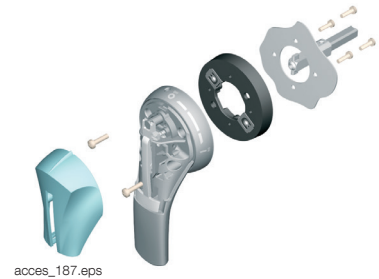
Use
 Enables S-type handles to be fitted in place of existing older style Socomec handles.
 This adaptor can also be utilised as a spacer to increase the distance between the panel door and handle.

Dimensions

Adds 12 mm to the handle depth.

Colour	To be ordered in multiples of	External IP	Reference
Black	1	IP65 ⁽¹⁾	1493 0000

(1) IP: Ingress Protection rating according to IEC 60529.



S-type handle adaptor

Use
 Use with S-type handles to guide the shaft extension into the external handle.
 This accessory enables the handle to engage the extension shaft with a
 misalignment of up to 15 mm.
 Recommended for shaft lengths over 320 mm.

Description	Reference
Shaft guide	1429 0000



SIRCOVER

Manually operated Transfer Switching Equipment

from 125 to 3200 A

Accessories (continued)

Shaft guide for external operation

Use

Standard lengths:

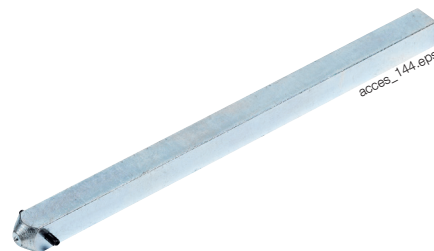
- 200 mm,
- 320 mm,
- 450 mm.

Other lengths available:

please contact us.

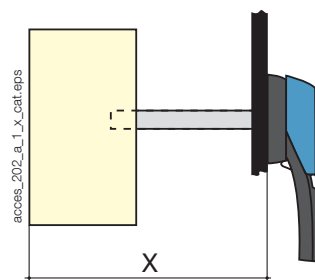
SIRCOVER I-0-II and I-I+II-II

Rating (A)	Frame size	Length (mm)	Side X (mm)	Reference
125 ... 400	B3 ... B4	200	210 ... 310	1400 1020
125 ... 400	B3 ... B4	320	210 ... 430	1400 1032
500 ... 630	B5	200	280 ... 390	1400 1020
500 ... 630	B5	320	280 ... 510	1400 1032
800 ... 1600	B6 ... B7	200	425 ... 577	1401 1520
800 ... 1600	B6 ... B7	320	425 ... 697	1401 1532
2000 ... 3200	B8	200	653 ... 803	2799 3015
2000 ... 3200	B8	320	653 ... 923	2799 3018
2000 ... 3200	B8	450	653 ... 1053	2799 3019



SIRCOVER Bypass

Rating (A)	Frame size	Length (mm)	Side X (mm)	Reference
125 ... 200	B3	200	320 ... 450	1400 1020
125 ... 200	B3	320	320 ... 570	1400 1032
250 ... 400	B4	200	298 ... 420	1401 1520
250 ... 400	B4	320	298 ... 540	1401 1532
630	B5	200	417 ... 539	1401 1520
630	B5	320	417 ... 659	1401 1532
800 ... 1600	B6 ... B7	200	550 ... 680	2799 3015
800 ... 1600	B6 ... B7	320	550 ... 800	2799 3018
800 ... 1600	B6 ... B7	450	550 ... 930	2799 3019



Bridging bars

Use

For creating a common connection between switches I & II, on the top or bottom side of the SIRCOVER, to enable, for example, the load to be fed from either incoming source (I or II).

For SIRCOVER Bypass twice the quantity of bridging bars are required (6 for 3-pole device and 8 for 4-pole).

Rating (A)	Frame size	Diameter (mm)	Reference
125 ... 200	B3	20 x 2.5	4109 0019 ⁽¹⁾
250	B4	25 x 2.5	4109 0025 ⁽¹⁾
315 ... 400	B4	32 x 5	4109 0039 ⁽¹⁾
500	B5	32 x 5	4109 0050 ⁽¹⁾
630	B5	50 x 5	4109 0063 ⁽¹⁾
800 ... 1000	B6	50 x 6	4109 0080 ⁽¹⁾
1250	B6	60 x 8	4109 0120 ⁽¹⁾
1600	B7	90 x 10	4109 0160 ⁽¹⁾

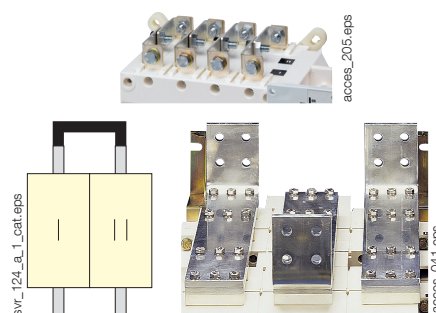
(1) SIRCOVER: For a 3-pole device order quantity 3 bridging bars.

For a 4-pole device order quantity 4.

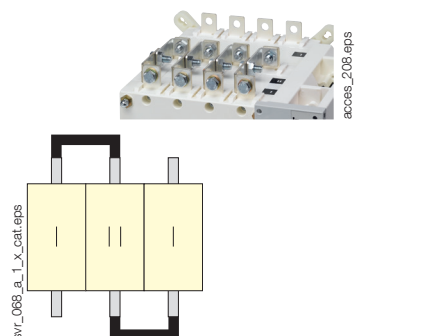
SIRCOVER Bypass: For a 3-pole device order quantity 6 bridging bars.

For a 4-pole device, order quantity 8.

SIRCOVER I-0-II and **SIRCOVER** I-I+II-II



SIRCOVER Bypass



Accessories (continued)

Copper bar connection pieces

Use

For ratings 2000 to 3200 A.

Enable:

- Flat connection: the connection pieces provide a link between the two power terminals of the same pole (Fig. 1).
- Edgewise connection: the connection pieces provide a link between the two power terminals of the same pole and an edgewise bar connection terminal.
- Top or bottom bridging between two poles (Fig. 3).

Once installed, the power terminal is connection ready.

For 3200 A rating, connection pieces (part A) are supplied as standard.

Bolt sets must be ordered separately.

Connection:

the quantities given in the table below refer to the number of pieces required per pole, top or bottom.

Bridging connection: the quantities given in the table below refer to the number of pieces required to complete a single bridging connection between two poles.

Reference	2000 - 2500 A			3200 A		
	Fig. 1	Fig. 2	Fig. 3	Fig. 1	Fig. 2	Fig. 3
	Connection		Bridging connection I - II	Connection		Bridging connection I - II
Flat	Edgewise	Flat		Edgewise		
Connection - part A	2619 1200	1	1	2 ⁽²⁾	included	included
Bolt kit 35 mm - part B	2699 1201	1 ⁽¹⁾		2 ⁽²⁾	1 ⁽¹⁾	2 ⁽²⁾
Bolt kit 45 mm - part B	2699 1200	1 ⁽¹⁾			1 ⁽¹⁾	
T + Bolt kit - part C	2629 1200		1	1	1	1
Bracket + Bolt kit - part D	2639 1200		1		1	
Bar + Bolt kit - part E	4109 0320			1		1

(1) Choose the bolt length according to the thickness of the bars being connected; if bar thickness is greater than 20 mm, 45 mm bolts are required.

(2) For bridging connections, quantity 2 pieces are required for creating the link between the two power terminals of the same pole for switch bodies I and II.

The quantities of the applicable pieces then need to be multiplied by the number of connection points (power terminals) in order to determine the total quantity required of each part.

Example: for a 4 pole 2500 A SIRCOVER with upstream edgewise connection (Fig. 2) and downstream bridging (Fig. 3), the following quantities will be required:

Part	Upstream edgewise quantity	Downstream bridging quantity	Total quantity
A	8	8	16
B	0	8	8
C	8	4	12
D	8	0	8
E	0	4	4

Copper bar connection pieces

Use

Pre-breaking and signalling of positions I and II: 1 to 2 NO/NC auxiliary contacts in each position.

Low level AC: please contact us.

Connection to the control circuit

By 6.35 mm fast-on terminal.

Electrical characteristics

30,000 operations.

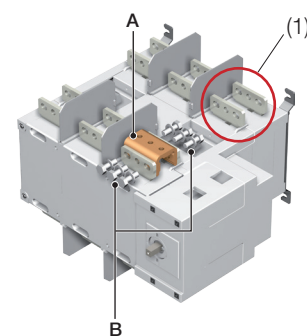
Characteristics

Rating (A)	Frame size	Rated current (A)	Operating current I _e (A)			
			250 VAC AC-13	400 VAC AC-13	24 VDC DC-13	48 VDC DC-13
125 ... 3200	B3... B8	16	12	8	14	6

NO/NC changeover contact

Rating (A)	Frame size	Contact(s)	Reference
125 ... 1600	B3 ... B7	1st / 2nd	4109 0021
2000 ... 3200	B8	1st / 2nd	included

Fig. 1



(1) Single pole connection: 1 pole (top or bottom) comprises two power terminals which are to be linked with the copper connection kit.

Fig. 2

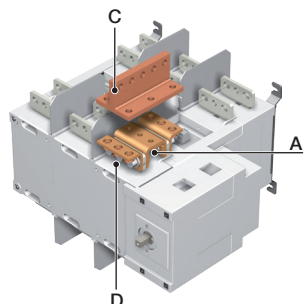
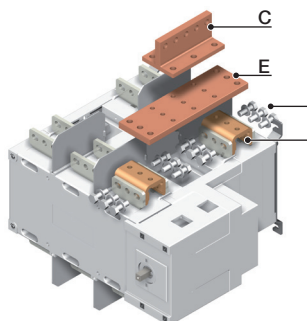


Fig. 3



SIRCOVER

Manually operated Transfer Switching Equipment

from 125 to 3200 A

Accessories (continued)

Terminal shrouds

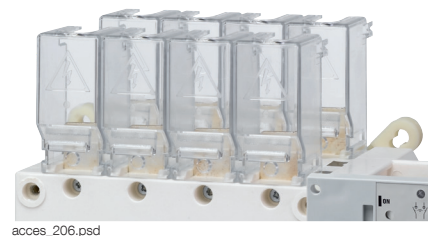
Use

Protection against direct contact with terminals or connecting parts.

Advantage

Perforations allow remote thermographic inspection without the need to remove the shrouds.

Rating (A)	Frame size	No. of poles	Position	Reference
125 ... 200	B3	3 P	top / bottom / front (I) / rear (II)	2694 3014 ⁽¹⁾⁽²⁾
125 ... 200	B3	4 P	top / bottom / front (I) / rear (II)	2694 4014 ⁽¹⁾⁽²⁾
250 ... 400	B4	3 P	top / bottom / front (I) / rear (II)	2694 3021 ⁽¹⁾⁽²⁾
250 ... 400	B4	4 P	top / bottom / front (I) / rear (II)	2694 4021 ⁽¹⁾⁽²⁾
500 ... 630	B5	3 P	top / bottom / front (I) / rear (II)	2694 3051 ⁽¹⁾⁽²⁾
500 ... 630	B5	4 P	top / bottom / front (I) / rear (II)	2694 4051 ⁽¹⁾⁽²⁾



acces_206.psd

(1) For complete shrouding at front, rear, top and bottom, order 4 x for a SIRCOVER and 6 x for a SIRCOVER Bypass; if equipped with bridging bars order 3 x for a SIRCOVER and 4 x for a SIRCOVER Bypass.

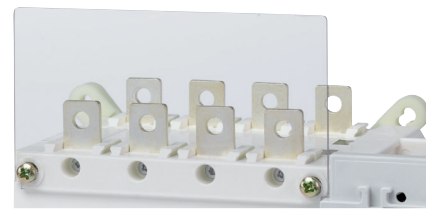
(2) For top and bottom shrouding for the front only, order 2 x for a SIRCOVER and a SIRCOVER Bypass.

Terminal screens

Use

Provide additional upstream and downstream protection against direct contact with terminals or connection parts. For upstream and downstream protection, order quantity 1.

Rating (A)	Frame size	No. of poles	Position	Reference
125 ... 200	B3	3 P	top/bottom	1509 3012
125 ... 200	B3	4 P	top/bottom	1509 4012
250 ... 400	B4	3 P	top/bottom	1509 3025
250 ... 400	B4	4 P	top/bottom	1509 4025
500 ... 630	B5	3 P	top/bottom	1509 3063
500 ... 630	B5	4 P	top/bottom	1509 4063
800 ... 1250	B6	3 P	top/bottom	1509 3080
800 ... 1250	B6	4 P	top/bottom	1509 4080
1600	B7	3 P	top/bottom	1509 3160
1600	B7	4 P	top/bottom	1509 4160
2000 ... 3200	B8	3/4 P	top/bottom	included



acces_207.eps

Inter-phase barrier

Use

Safety isolation between the terminals, essential for use at 690 VAC or in a polluted or dusty atmosphere.

Rating (A)	Frame size	No. of poles	Reference
125 ... 200	B3	3 P	2998 0033
125 ... 200	B3	4 P	2998 0034
250 ... 400	B4	3 P	2998 0023
250 ... 400	B4	4 P	2998 0024
500 ... 630	B5	3 P	2998 0013
500 ... 630	B5	4 P	2998 0014
800 ... 3200	B6 ... B8	3/4 P	included

Accessories (continued)

Key handle interlocking system

Use

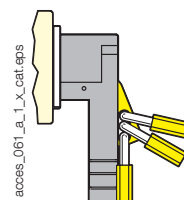
Padlocking (padlock not included). This device is factory mounted in the direct or external operation handle and allows the use of up to 3 padlocks.

Padlocking:

- using lock (not supplied),
- using undervoltage coil.

The interlocking positions are either determined as standard or configured by the user by removing the pre-form tabs. Padlocking and locking can be combined.

Fig. 1



Padlocking in position I, 0 or II

SIRCOVER Rating (A) / Frame size	SIRCOVER Bypass Rating (A) / Frame size	Operating handle	Figure	Reference
125 ... 630 / B3 ... B5	125 ... 200 / B3	external	1	1423 2813

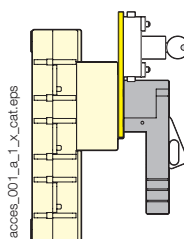
Locking using RONIS EL11AP lock in position 0 (not included)

SIRCOVER Rating (A) / Frame size	SIRCOVER Bypass Rating (A) / Frame size	Operating handle	Figure	Reference
125 ... 630 / B3 ... B5	125 ... 200 / B3	direct	2	4109 1006 ⁽¹⁾
	250 ... 630 / B4 ... B5	direct	3	contact us
800 ... 1600 / B6 ... B7	800 ... 1600 / B6 ... B7	direct	3	4109 1004 ⁽²⁾
2000 ... 3200 / B8		direct	3	4109 2007 ⁽²⁾
125 ... 630 / B3 ... B5	125 ... 630 / B3 ... B5	external	4	1499 7701 ⁽²⁾
2000 ... 3200 / B8	800 ... 1600 / B6 ... B7	external	4	2799 7002 ⁽²⁾

(1) Specific handle included.

(2) This locking facility can be configured by the user in the 3 positions.

Fig. 2

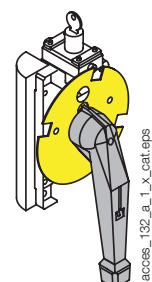


Locking using RONIS EL11AP lock in position I, 0 or II (not included)

SIRCOVER Rating (A) / Frame size	SIRCOVER Bypass Rating (A) / Frame size	Operating handle	Figure	Reference
125 ... 630 / B3 ... B5	125 ... 200 / B3	direct	2	4109 1002 ⁽¹⁾
	250 ... 630 / B4 ... B5	direct	3	contact us
800 ... 1600 / B6 ... B7	800 ... 1600 / B6 ... B7	direct	3	4109 1004
2000 ... 3200 / B8		direct	3	4109 2007
125 ... 630 / B3 ... B5	125 ... 630 / B3 ... B5	external	4	1499 7701
2000 ... 3200	800 ... 1600 / B6 ... B7	external	4	2799 7002

(1) Specific handle included.

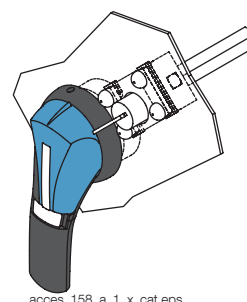
Fig. 3



Locking using 230 VAC undervoltage coil in position 0 (factory fitted)

SIRCOVER Rating (A) / Frame size	SIRCOVER Bypass Rating (A) / Frame size	Operating handle	Figure	Reference
800 ... 3200 / B6 ... B8	800 ... 1600 / B6 ... B7	direct	3	contact us

Fig. 4



Locking using Type K CASTELL lock (not supplied)

SIRCOVER Rating (A) / Frame size	SIRCOVER Bypass Rating (A) / Frame size	Operating handle	Figure	Reference
125 ... 1600 / B3 ... B7	125 ... 630 / B3 ... B5	external	4	1499 7702
2000 ... 3200 / B8	800 ... 1600 / B6 ... B7	external	4	2799 7003

Other specific accessories



- Customised protection screens (for specific dimensions or high ambient temperatures).
- Connection accessories.
- Low level auxiliary contacts.

SIRCOVER

Manually operated Transfer Switching Equipment

from 125 to 3200 A

Characteristics according to IEC 60947-3 and IEC 60947-6-1

125 to 630 A

Thermal current I th at 40 °C	125 A	160 A	200 A	250 A	315 A	400 A	500 A	630 A		
Frame size	B3	B3	B3	B4	B4	B4	B5	B5		
Rated insulation voltage U _i (V)	800	800	800	1000	1000	1000	1000	1000		
Rated impulse withstand voltage U _{imp} (kV)	8	8	8	12	12	12	12	12		
Rated operational currents I_e (A) according to IEC 60947-6-1										
Rated voltage	Utilisation category		A/B⁽¹⁾	A/B⁽¹⁾	A/B⁽¹⁾	A/B⁽¹⁾	A/B⁽¹⁾	A/B⁽¹⁾	A/B⁽¹⁾	
415 VAC	AC-31 B		125	160	200	250	315	400	500	630
415 VAC	AC-32 B					200	315	400	500	500
415 VAC	AC-33 B					200	200	200	400	400
Rated operational currents I_e (A) according to IEC 60947-3										
Rated voltage	Utilisation category		A/B⁽¹⁾	A/B⁽¹⁾	A/B⁽¹⁾	A/B⁽¹⁾	A/B⁽¹⁾	A/B⁽¹⁾	A/B⁽¹⁾	
415 VAC	AC-21 A / AC-21 B		125/125	160/160	200/200	250/250	315/315	400/400	500/500	630/630
415 VAC	AC-22 A / AC-22 B		125/125	160/160	200/200	250/250	315/315	400/400	500/500	630/630
415 VAC	AC-23 A / AC-23 B		125/125	160/160	200/200	200/200	315/315	400/400	500/500	500/630
500 VAC	AC-21 A / AC-21 B		125/125	160/160	200/200	250/250	315/315	400/400	500/500	630/630
500 VAC	AC-22 A / AC-22 B		125/125	160/160	200/200	200/250	200/315	200/400	500/500	500/500
500 VAC	AC-23 A / AC-23 B		80/80	80/80	80/80	200/200	200/200	200/200	400/400	400/400
690 VAC ⁽³⁾	AC-21 A / AC-21 B		125/125	160/160	200/200	200/200	200/200	200/200	500/500	500/500
690 VAC ⁽³⁾	AC-22 A / AC-22 B		125/125	125/125	125/125	160/160	160/160	160/160	400/400	400/400
690 VAC ⁽³⁾	AC-23 A / AC-23 B		63/80	63/80	63/80	125/125	125/125	125/125	400/400	400/400
220 VDC	DC-21 A / DC-21 B		125/125	160/160	200/200	250/250	250/250	250/250	500/500	630/630
220 VDC	DC-22 A / DC-22 B		125/125	160/160	200/200	250/250	250/250	250/250	500/500	630/630
220 VDC	DC-23 A / DC-23 B		125/125	125/125	125/125	200/200	200/200	200/200	500/500	630/630
440 VDC ⁽²⁾	DC-21 A / DC-21 B		125/125	125/125	125/125	200/200	200/200	200/200	500/500	630/630
440 VDC ⁽²⁾	DC-22 A / DC-22 B		125/125	125/125	125/125	200/200	200/200	200/200	500/500	630/630
440 VDC ⁽²⁾	DC-23 A / DC-23 B		125/125	125/125	125/125	200/200	200/200	200/200	500/500	630/630
Operational power in AC-23 (kW)⁽⁴⁾										
At 415 VAC without pre-break auxiliary contact	58/58	75/75	100/100	100/100	145/145	190/190	235/235	235/280		
At 690 VAC without pre-break AC	50/62	50/62	50/62	90/90	90/90	90/90	310/310	310/310		
Reactive power (kvar)⁽⁴⁾										
At 415 VAC (kvar)	60/60	75/75	100/100	125/125	150/150	200/200	250/250	250/300		
Fuse protected short-circuit withstand as per IEC 60947-3 (kA rms prospective)										
Prospective short-circuit current with gG DIN fuses at 415 VAC (kA rms)	100	100	50	50	50	50	50	50		
Prospective short-circuit current with gG DIN fuses at 690 VAC (kA rms)				50	50	50	50	50		
Associated fuse rating (A)	125	160	200	250	315	400	500	630		
Short-circuit withstand without protection as per IEC 60947-3										
Rated short-time withstand current 0.3 s I _{ow} at 415 VAC (kA rms)	12	12	12	15 ⁽⁵⁾	15 ⁽⁵⁾	15 ⁽⁵⁾	17 ⁽⁵⁾	17 ⁽⁵⁾		
Rated short-time withstand current 1 s I _{ow} at 415 VAC (kA rms)	7	7	7	8 ⁽⁵⁾	8 ⁽⁵⁾	8 ⁽⁵⁾	11 ⁽⁵⁾	10 ⁽⁵⁾		
Rated peak withstand current at 415 VAC (kA peak)	20	20	20	30	30	30	45	45		
Short-circuit withstand without protection as per IEC 60947-6-1										
Rated short-time withstand current 30 ms I _{ow} at 415 VAC (kA rms)	10	10	10	10	10	10				
Rated short-time withstand current 60 ms I _{ow} at 415 VAC (kA rms)							10	12.6		
Connection										
Minimum Cu cable cross-section as per IEC 60947-1 (mm ²)	35	35	50	95	120	185	2 x 95	2 x 120		
Recommended Cu busbar cross-section (mm ²)							2 x 32 x 5	2 x 40 x 5		
Maximum Cu cable cross-section (mm ²)	50	95	120	150	240	240	2 x 185	2 x 300		
Maximum Cu busbar width (mm)	25	25	25	32	32	32	50	50		
Min./Max. tightening torque (Nm)	9/13	9/13	9/13	20/26	20/26	20/26	20/26	20/26		
Mechanical characteristics										
Durability (number of operating cycles)	10,000	10,000	10,000	8,000	8,000	8,000	5,000	5,000		
Weight 3P (kg)	2.9	2.9	2.9	3.8	3.9	3.9	8.6	9.1		
Weight 4P (kg)	4.1	4.1	4.1	4.6	4.9	4.9	10.4	11.1		

(1) Category with index A = frequent operation / Category with index B = infrequent operation.

(2) 3-pole device with 2 poles in series for the '+' and 1 pole for the '-', 4-pole device with 2 poles in series per polarity.

(3) Interphase barriers must be fitted on the products.

(4) The power value is given for information only, the values vary from one manufacturer to another.

(5) Values given at 690 VAC.

Characteristics according to IEC 60947-3 and IEC 60947-6-1

800 to 3200 A

Thermal current I th at 40 °C	800 A	1000 A	1250 A	1600 A	2000 A	2500 A	3200 A
Frame size	B6	B6	B6	B7	B8	B8	B8
Rated insulation voltage U _i (V)	1000	1000	1000	1000	1000	1000	1000
Rated impulse withstand voltage U _{imp} (kV)	12	12	12	12	12	12	12
Rated operational currents I_o (A) according to IEC 60947-6-1							
Rated voltage	Utilisation category	A/B⁽¹⁾	A/B⁽¹⁾	A/B⁽¹⁾	A/B⁽¹⁾	A/B⁽¹⁾	A/B⁽¹⁾
415 VAC	AC-31 B	800	1000	1250	1600	2000	2500
415 VAC	AC-32 B	800	1000	1250	1250	2000	2000
415 VAC	AC-33 B	800	1000	1000	1000	1250	1250
Rated operational currents I_o (A) according to IEC 60947-3							
Rated voltage	Utilisation category	A/B⁽¹⁾	A/B⁽¹⁾	A/B⁽¹⁾	A/B⁽¹⁾	A/B⁽¹⁾	A/B⁽¹⁾
415 VAC	AC-21 A / AC-21 B	800/800	1000/1000	1250/1250	1600/1600	-/2000	-/2500
415 VAC	AC-22 A / AC-22 B	800/800	1000/1000	1250/1250	1600/1600	-/2000	-/2500
415 VAC	AC-23 A / AC-23 B	800/800	1000/1000	1250/1250	1250/1250	-/1600	-/1600
500 VAC	AC-21 A / AC-21 B	800/800	1000/1000	1250/1250	1600/1600	-/2000	-/2000
500 VAC	AC-22 A / AC-22 B	630/630	800/800	1000/1000	1600/1600		
500 VAC	AC-23 A / AC-23 B	630/630	630/630	800/800	1000/1000		
690 VAC ⁽³⁾	AC-21 A / AC-21 B	800/800	1000/1000	1250/1250	1600/1600	-/2000	-/2000
690 VAC ⁽³⁾	AC-22 A / AC-22 B	630/630	800/800	1000/1000	1000/1000		
690 VAC ⁽³⁾	AC-23 A / AC-23 B	630/630	630/630	800/800	800/800		
220 VDC	DC-21 A / DC-21 B	800/800	1000/1000	1250/1250	1250/1250		
220 VDC	DC-22 A / DC-22 B	800/800	1000/1000	1250/1250	1250/1250		
220 VDC	DC-23 A / DC-23 B	800/800	1000/1000	1250/1250	1250/1250		
440 VDC ⁽²⁾	DC-21 A / DC-21 B	800/800	1000/1000	1250/1250	1250/1250		
440 VDC ⁽²⁾	DC-22 A / DC-22 B	800/800	1000/1000	1250/1250	1250/1250		
440 VDC ⁽²⁾	DC-23 A / DC-23 B	800/800	1000/1000	1250/1250	1250/1250		
Operational power in AC-23 (kW)⁽⁴⁾							
At 415 VAC without pre-break auxiliary contact		375/375	450/450	560/560	560/560	-/710	-/710
At 690 VAC without pre-break AC		475/475	475/475	620/620	620/620		
Reactive power (kvar)⁽⁴⁾							
At 415 VAC (kvar)		400/400	500/500	650/650	650/650	-/850	-/850
Fuse protected short-circuit withstand as per IEC 60947-3 (kA rms prospective)							
Prospective short-circuit current with gG DIN fuses at 415 VAC (kA rms)		50	50	100	100		
Prospective short-circuit current with gG DIN fuses at 690 VAC (kA rms)		50	50	50			
Associated fuse rating (A)		800	1000	1250	2x800		
Short-circuit withstand without protection as per IEC 60947-3							
Rated short-time withstand current 0.3 s I _{ow} at 415 VAC (kA rms)		64	64	64	78	78	78
Rated short-time withstand current 1 s I _{ow} at 415 VAC (kA rms)		35	35	35	50	50	50
Rated peak withstand current at 415 VAC (kA peak)		55	55	80	110	120	120
Short-circuit withstand without protection as per IEC 60947-6-1							
Rated short-time withstand current 30 ms I _{ow} at 415 VAC (kA rms)							
Rated short-time withstand current 60 ms I _{ow} at 415 VAC (kA rms)		20	20	25	32	50	50
Connection							
Minimum Cu cable cross-section as per IEC 60947-1 (mm ²)		2 x 185					
Recommended Cu busbar cross-section (mm ²)		2 x 50 x 5	2 x 63 x 5	2 x 60 x 7	2 x 100 x 5	3 x 100 x 5	2 x 100 x 10
Maximum Cu cable cross-section (mm ²)		4 x 185	4 x 185	4 x 185	6 x 185		
Maximum Cu busbar width (mm)		63	63	63	100	100	100
Min./Max. tightening torque (Nm)		20/26	20/26	20/26	40/45	40/45	40/45
Mechanical characteristics							
Durability (number of operating cycles)		4,000	4,000	4,000	3,000	3,000	3,000
Weight 3P (kg)		20.5	21.0	21.6	25.7	42.0	42.0
Weight 4P (kg)		24.8	25.6	26.2	32.0	52.9	52.9

(1) Category with index A = frequent operation / Category with index B = infrequent operation.
(2) 3-pole device with 2 poles in series for the '+' and 1 pole for the '-', 4-pole device with 2 poles in series per polarity.
(3) Interphase barriers must be fitted on the products.
(4) The power value is given for information only, the values vary from one manufacturer to another.
(5) Values given at 690 VAC.

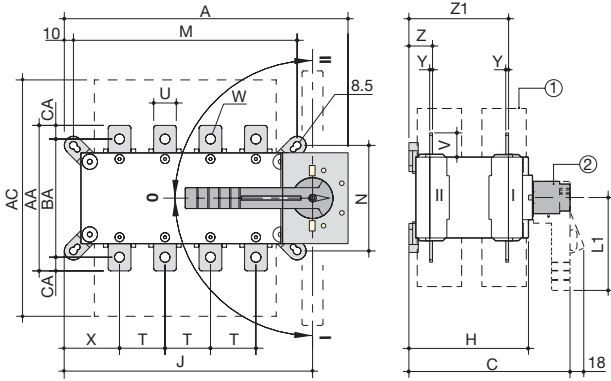
SIRCOVER

Manually operated Transfer Switching Equipment
from 125 to 3200 A

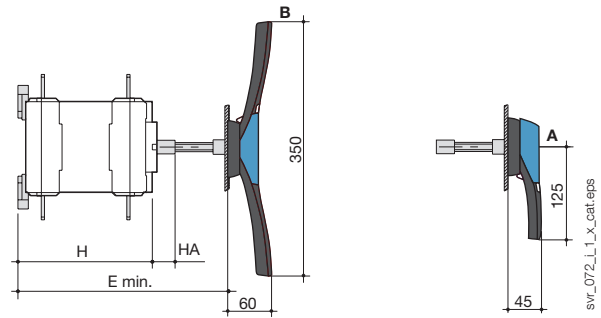
Dimensions

SIRCOVER 125 to 1600 A / B3 to B7

Direct front operation



External front operation



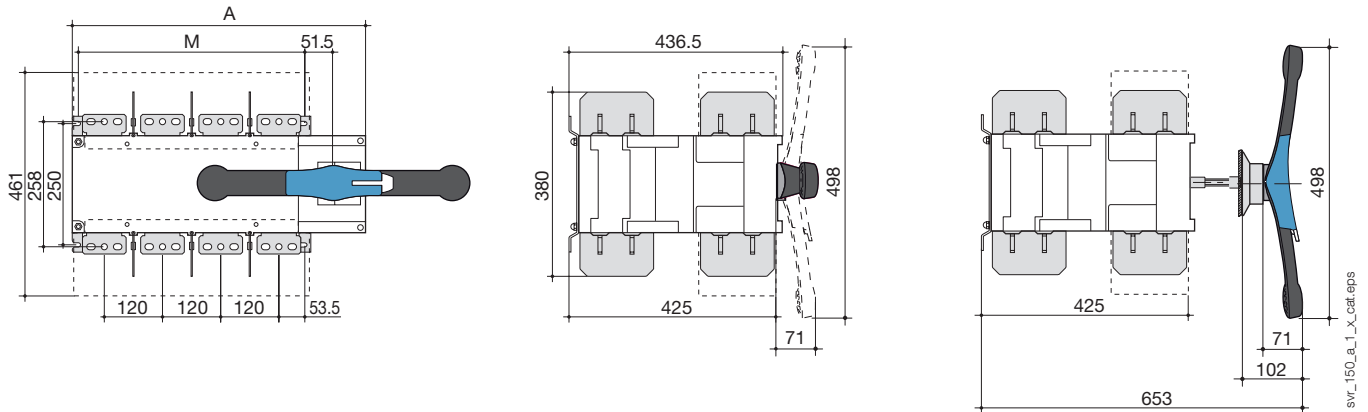
A. S2 type handle for external operation: 125 to 630 A
B. S4 type handle for external operation: 800 to 1600 A

1. Terminal shroud
2. Direct operation handle:
 - 125 to 630 A: L1 = 140 mm,
 - 800 to 1600 A: L1 = 210 mm.

Rating (A) / Frame size	Perimeter dimensions				Terminal shroud	Case				Mounting accessory			Connection											
	A 3p.	A 4p.	C	E min	AC	H	HA	J 3p.	J 4p.	M 3p.	M 4p.	N	T	U	V	W	X 3p.	X 4p.	O	Z	Z1	AA	BA	AC
125 / B3	221	251	218	208 ... 436	235	148	25	182	212	156	186	101	36	20	25	8.5	56	50	3.5	28	124	135	115	10
160 / B3	221	251	218	208 ... 436	235	148	25	182	212	156	186	101	36	20	25	8.5	56	50	3.5	28	124	135	115	10
200 / B3	221	251	218	208 ... 436	235	148	25	182	212	156	186	101	36	20	25	8.5	56	50	3.5	28	124	135	115	10
250 / B4	262	312	218	208 ... 436	280	148	25	223	273	196	246	116	50	25	30	11	61	61	3.5	30	124	160	130	15
315 / B4	262	312	218	208 ... 436	280	148	25	223	273	196	246	116	50	35	35	11	61	61	3.5	30	124	170	140	15
400 / B4	262	312	218	208 ... 436	280	148	25	223	273	196	246	116	50	35	35	11	61	61	3.5	30	124	170	140	15
500 / B5	319	379	295	285 ... 513	401	225	25	272	332	246	306	176	65	32	37	13	70.5	65.5	5	43	180	235	205	15
630 / B5	319	379	295	285 ... 513	400	225	25	272	332	246	306	176	65	45	50	13	70.5	65.5	5	43	180	260	220	20
800 / B6	386	466	375	425 ... 577	459	298	29	306.5	386.5	255	336	250	80	50	60.5	15	48	48	7	66.5	253.5	321		26.5
1000/B6	386	466	375	425 ... 577	459	298	29	306.5	386.5	255	336	250	80	50	60.5	15	48	48	7	66.5	253.5	321		26.5
1250 / B6	386	466	375	425 ... 577	459	298	29	306.5	386.5	255	336	250	80	60	65	16x11	48	48	7	66.5	255.5	330		29.5
1600/B7	478	598	375	425 ... 577	461	298	29	388.5	518.5	347	467	250	120	90	43.5	12.5x5	54	54	8	66.5	255.5	288		15

SIRCOVER 2000 to 3200 A / B8

Direct front operation

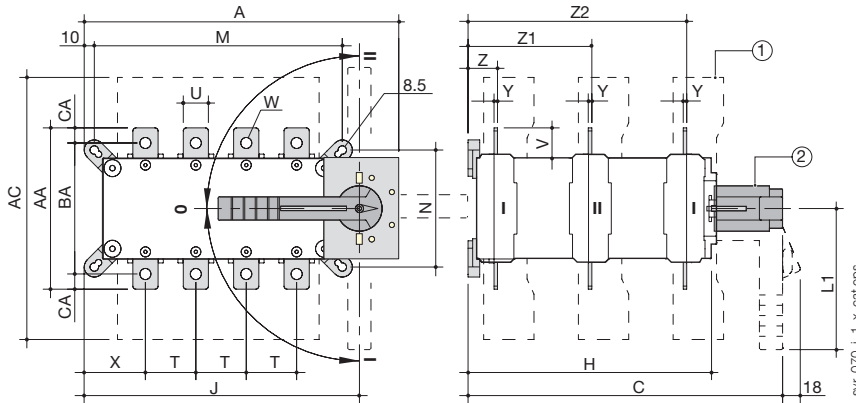


Rating (A) / Frame size	Perimeter dimensions		Mounting accessory	
	A 3p.	A 4p.	M 3p.	M 4p.
2000 ... 3200 / B8	478	598	347	467

Dimensions (continued)

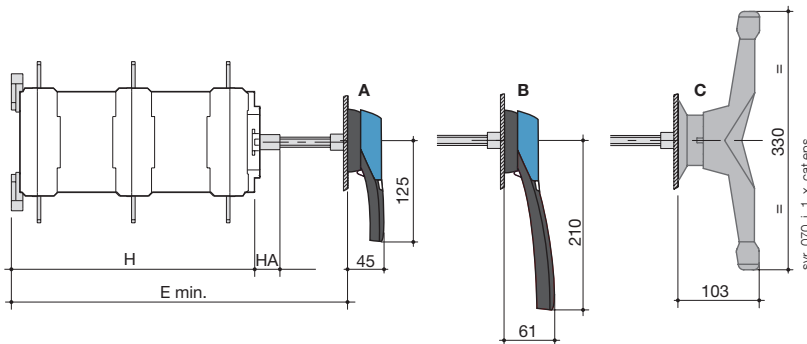
SIRCOVER Bypass 125 to 1600 A / B3 to B7

Direct front operation



- A. S2 type handle for external operation:
125 to 200 A
- A. S3 type handle for external operation:
250 to 630 A
- C. External double lever handle:
800 to 1600 A

External front operation

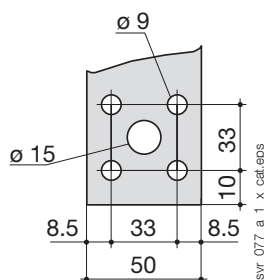


- 1. Terminal shroud
- 2. Direct operation handle:
 - 125 to 200 A: L1 = 140 mm,
 - 250 to 630 A: L1 = 210 mm,
 - 800 to 1600 A: L1 = diameter 330 mm.

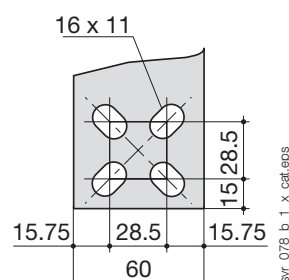
Rating (A) / Frame size	Perimeter dimensions				Terminal shroud	Case				Mounting accessory					Connection										
	A 3+6p.	A 4+8p.	C	E min.		H	HA	J 3+6p.	J 4+8p.	M 3+6p.	M 4+8p.	N	T	U	V	W	X 3+6p.	X 4+8p.	O	Z	Z1	Z2	AA	BA	AC
125 / B3	221	251	313	320	235	243	25	182	212	156	186	101	36	20	25	8.5	56	50	3.5	28	124	219	135	115	10
160 / B3	221	251	313	320	235	243	25	182	212	156	186	101	36	20	25	8.5	56	50	3.5	28	124	219	135	115	10
200 / B3	221	251	313	320	235	243	25	182	212	156	186	101	36	20	25	8.5	56	50	3.5	28	124	219	135	115	10
250 / B4	262	312	313	298	280	243	25	223	273	196	246	116	50	25	30	11	61	61	3.5	30	124	219	160	130	10
400 / B4	262	312	313	298	280	243	25	223	273	196	246	116	50	35	35	11	61	61	3.5	30	124	219	170	140	15
630 / B5	319	379	432	417	400	362	25	272	332	246	306	176	65	45	50	13	70.5	65.5	5	43	180	317	260	220	20
800 / B6	386	466	560	550	459	479	29	306.5	386.5	255	335	250	80	50	60.5	15	48	48	7	66.5	253.5	439.5	321		26.5
1250 / B6	386	466	560	550	459	479	29	306.5	386.5	255	335	250	80	60	65	16x11	48	48	7	66.5	253.5	439.5	320		29.25
1600 / B7	478	598	560	550	461	479	29	388.5	518.5	347	467	250	120	90	43.5	12.5x5	54	54	8	66.5	253.5	439.5	288		15

Connection terminals

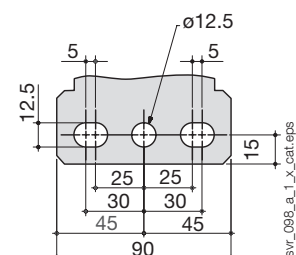
SIRCOVER and SIRCOVER Bypass
800 A / B6



SIRCOVER and SIRCOVER Bypass
1250 A / B6



SIRCOVER 1600 to 3200 A / B7 to B8
SIRCOVER Bypass 1600 A / B7

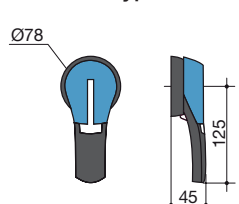
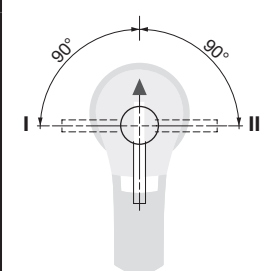
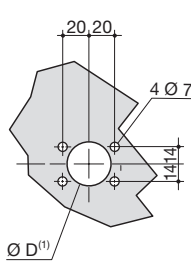
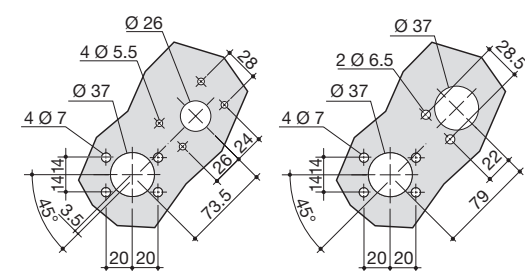


SIRCOVER

Manually operated Transfer Switching Equipment
from 125 to 3200 A

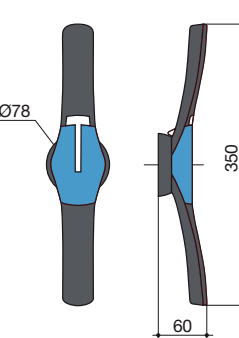
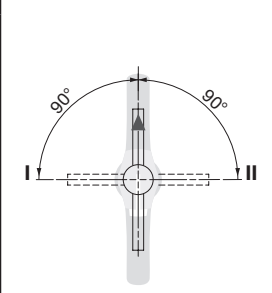
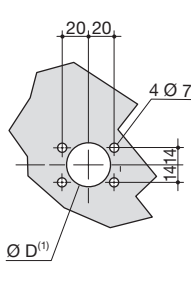
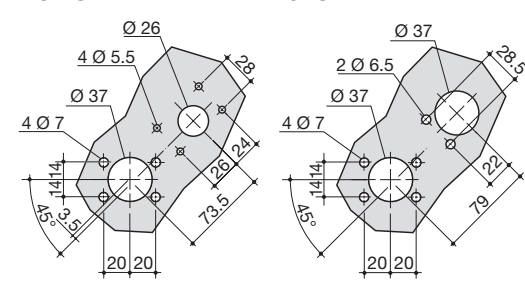
Dimensions for external handles

SIRCOVER 125 to 630 A / B3 to B5

Handle type	Front operation Direction of operation	Door drilling
S2 type 	0 or I+II 	With lock RONIS EL11AP  With lock CASTELL K 

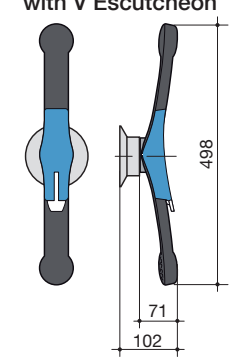
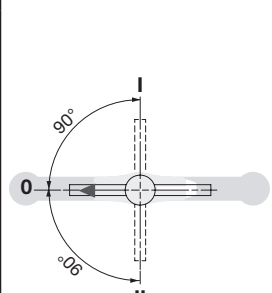
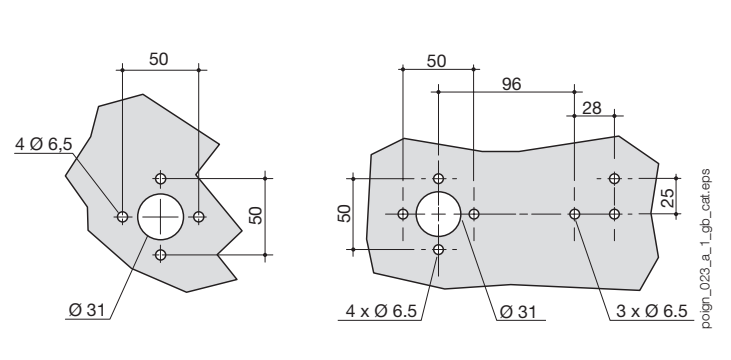
(1) Ø31 to Ø37: rear screw mounting,
Ø37: front clip mounting.

SIRCOVER 800 to 1600 A / B6 to B7

Handle type	Front operation Direction of operation	Door drilling
S4 type 	0 or I+II 	With lock RONIS EL11AP  With lock CASTELL K 

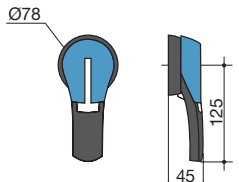
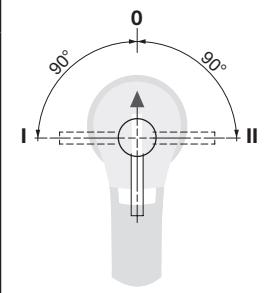
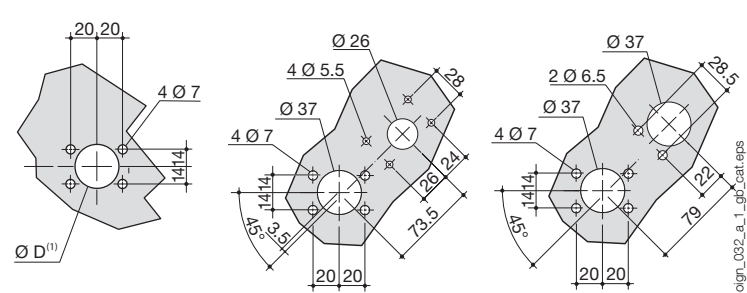
(1) Ø31 to Ø37: rear screw mounting,
Ø37: front clip mounting.
(2) Ø6 to Ø7: clip mounting

SIRCOVER 2000 to 3200 A / B8

Handle type	Front operation Direction of operation	Door drilling
S5 type with V Escutcheon 		With lock CASTELL K 

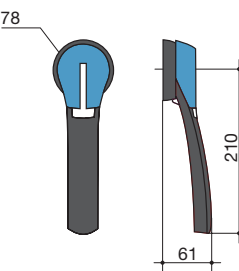
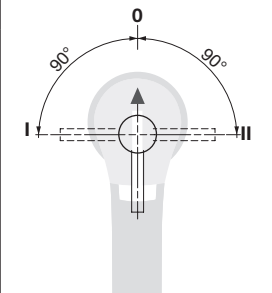
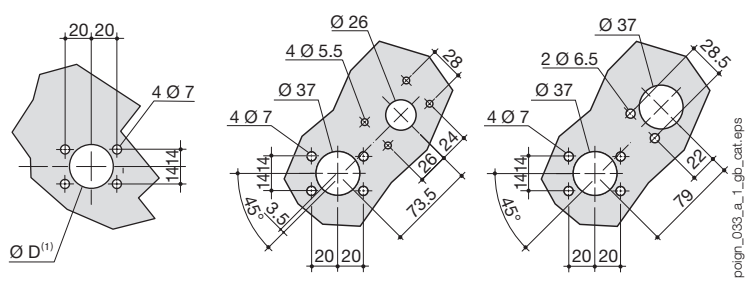
Dimensions for external handles (continued)

SIRCOVER Bypass 125 to 200 A / B3

Handle type	Front operation Direction of operation	Door drilling
<p>S2 type</p> 		<p>With lock RONIS EL11AP With lock CASTELL K</p> 

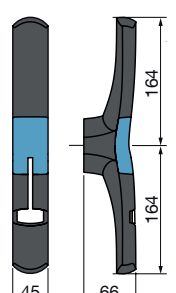
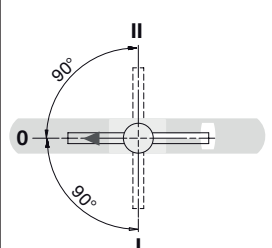
(1) Ø31 to Ø37: rear screw mounting,
Ø37: front clip mounting.

SIRCOVER Bypass 250 to 630 A / B4 to B5

Handle type	Front operation Direction of operation	Door drilling
<p>S3 type</p> 		<p>With lock RONIS EL11AP With lock CASTELL K</p> 

(1) Ø31 to Ø37: rear screw mounting,
Ø37: front clip mounting.

SIRCOVER Bypass 800 to 1600 A / B6 to B7

Handle type	Front operation Direction of operation	Door drilling
<p>J4 type</p> 		<p>With lock CASTELL K</p> 