

- [What's New](#) ➤
- [Products](#) ➤
- [Cross Reference](#) ➤
- [Technical Support](#) ➤
- [Contact Us](#) ➤
- [Members Only](#) ➤
- [Specials](#) ➤

Products

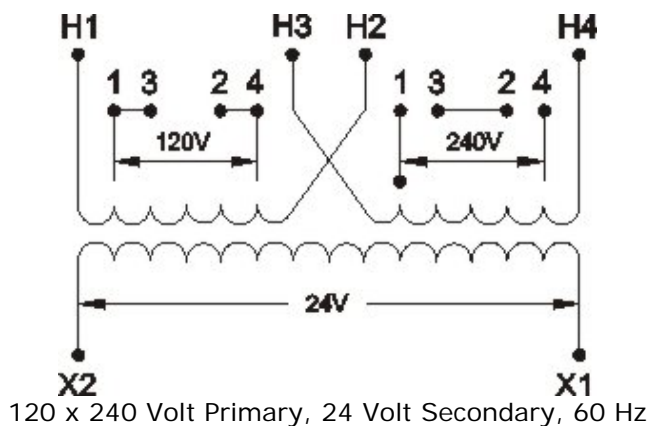
[Home](#) > [Products](#) > [Transformers](#) > [Industrial Control](#) > [SBE Series](#) > [Wiring Diagrams](#)

Select a Wiring Diagram:

Industrial Control Wiring Diagrams

Group 1 SBE, Encapsulated

[↑ Top](#)



Groups 1A & 1B SBE, Encapsulated (See wiring diagram above)

[↑ Top](#)



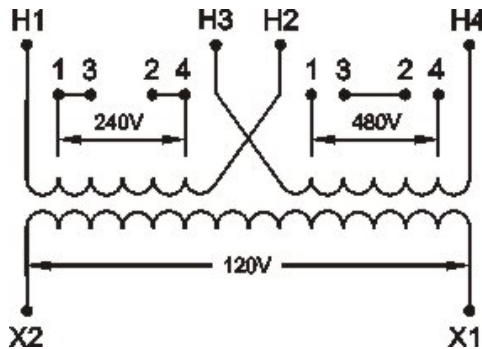
Class "CC" and secondary fuse holder
(Glass or Ceramic, 1/4 x 1 1/4" fuse type)



Class "CC" and secondary fuse holder
(Midget Cartridge, 13/32" x 1 1/2" type)

Group 2 SBE, Encapsulated

[↑ Top](#)



220 x 440 Volt Primary, 110 Volt Secondary, 50/60 Hz
 230 x 460 Volt Primary, 115 Volt Secondary, 50/60 Hz
 240 x 480 Volt Primary, 120 Volt Secondary, 60 Hz

Groups 2A & 2B SBE, Encapsulated (See wiring diagram above)

[↑ Top](#)



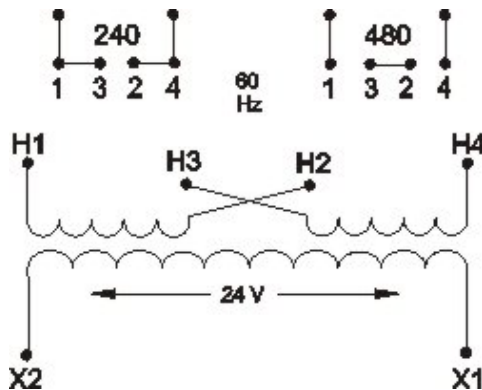
Class "CC" and secondary fuse holder
 (Glass or Ceramic, 1/4 x 1 1/4" fuse type)



Class "CC" and secondary fuse holder
 (Midget Cartridge, 13/32" x 1 1/2" type)

Group 3 SBE, Encapsulated

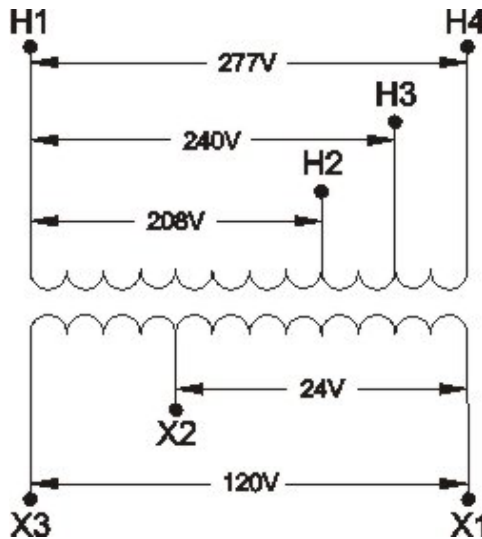
[↑ Top](#)



240 x 480 Volt Primary, 24 Volt Secondary, 60 Hz

Group 4 SBE Encapsulated

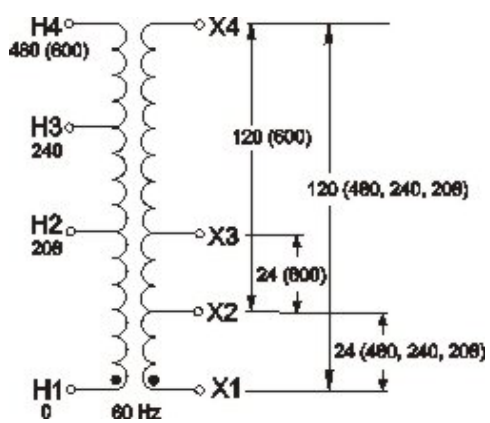
[↑ Top](#)



208/240/277 Volt Primary, 120/24 Volt Secondary, 60 Hz

Group 5 SBE Encapsulated

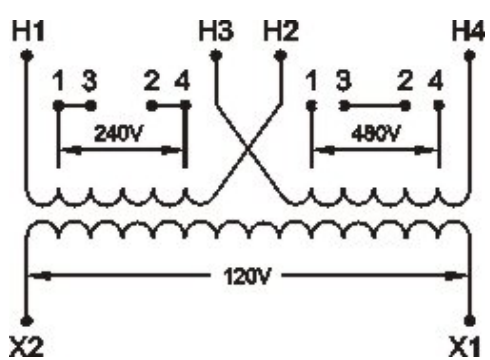
[↑ Top](#)



208/240/480/600 Volt Primary, 120/24 Volt Secondary, 60 Hz
200/230/460/575 Volt Primary, 115/23 Volt Secondary, 60 Hz

Group 1 SBE, Open

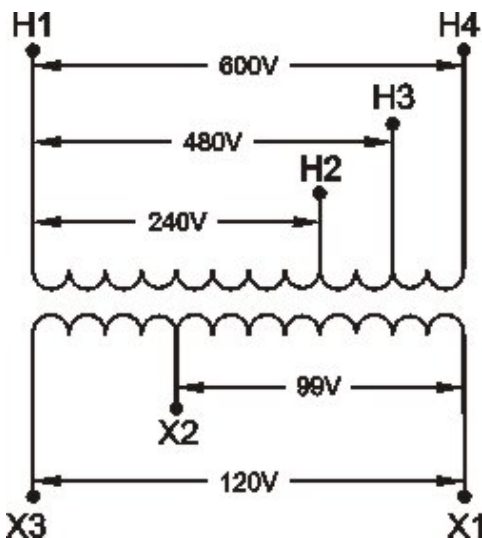
[↑ Top](#)



240 X 480 Volt Primary, 120 Volt Secondary 60 Hz
230 X 460 Volt Primary, 115 Volt Secondary 50/60 Hz
220 X 440 Volt Primary, 110 Volt Secondary 50/60 Hz

Group 2 SBE, Open

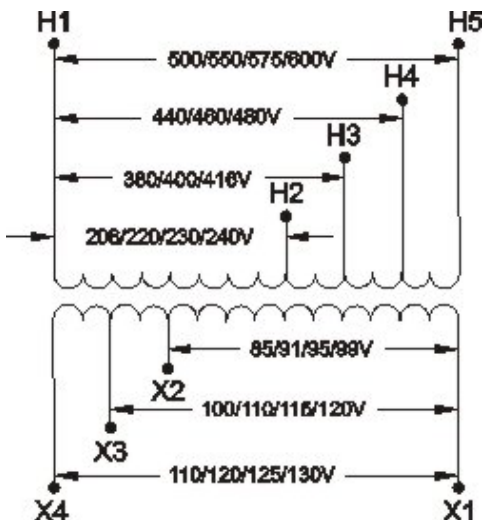
[↑ Top](#)



230/460/600 Volt Primary, 120/99 Volt Secondary, 60 Hz
 230/460/575 Volt Primary, 115/95 Volt Secondary 60 Hz

Group 3 SBE, Open

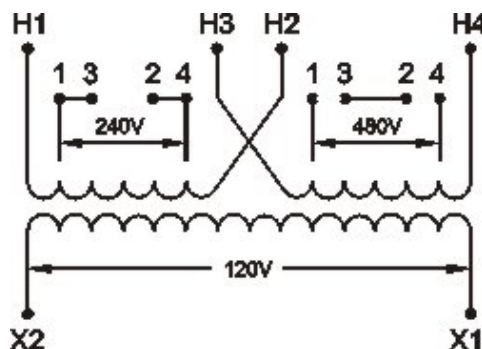
[↑ Top](#)



[Universal Voltage](#) Primary and Secondary 50/60 Hz

Group 1 SMT

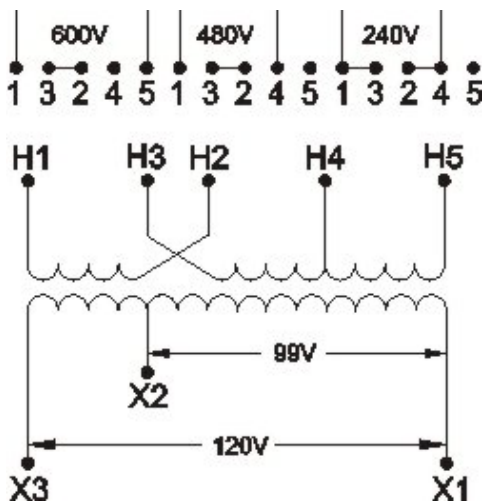
[↑ Top](#)



240 x 480 Volt Primary, 120 Volt Secondary, 60 Hz

Group 2 SMT

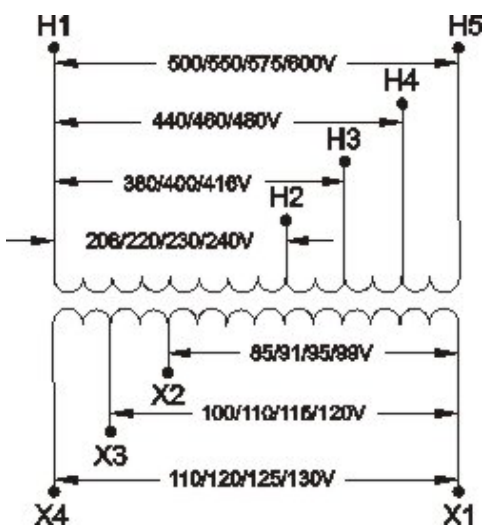
[↑ Top](#)



240/480/600 Volt Primary, 120/99 Volt Secondary, 60 Hz
 230/460/575 Volt Primary, 115/95 Volt Secondary, 60 Hz

Group 3 SMT

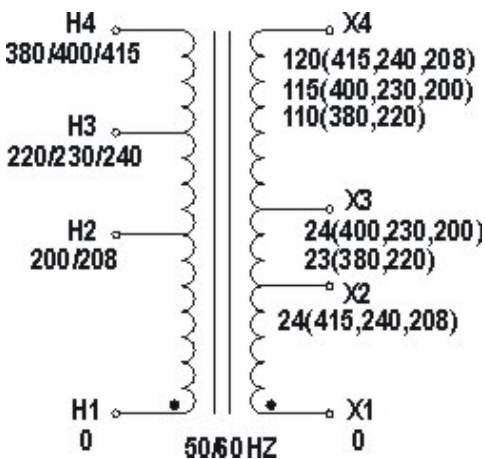
[↑ Top](#)



Universal Voltage Primary and Secondary 50/60 Hz.

Group 1 CE

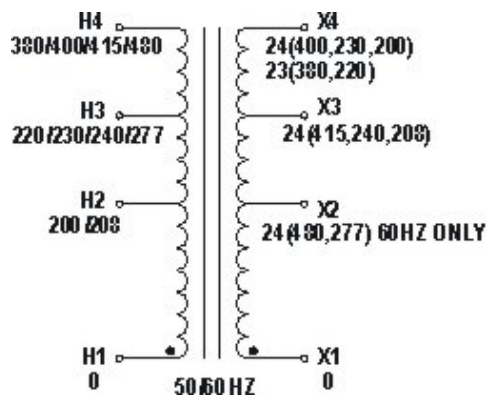
[↑ Top](#)



208/240/415 Volt Primary, 120/24 Volt Secondary, 50/60 Hz
 200/230/400 Volt Primary, 115/23 Volt Secondary, 50/60 Hz

Group 2 CE

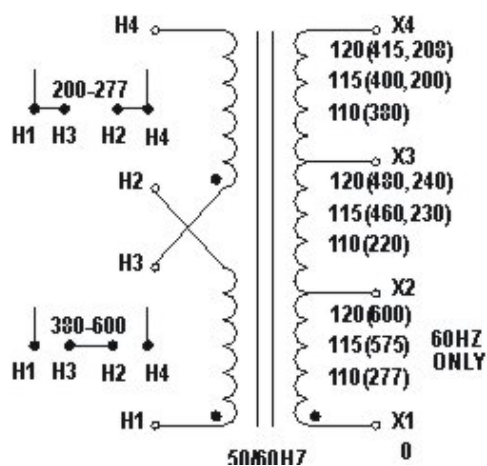
[↑ Top](#)



208/240/415 Volt Primary, 24 Volt Secondary, 50/60 Hz
 277/480 Volt Primary, 24 Volt Secondary, 60 Hz
 200/230/400 Volt Primary, 24 Volt Secondary, 50/60 Hz
 220/380 Volt Primary, 23 Volt Secondary, 50/60 Hz

Group 3 CE

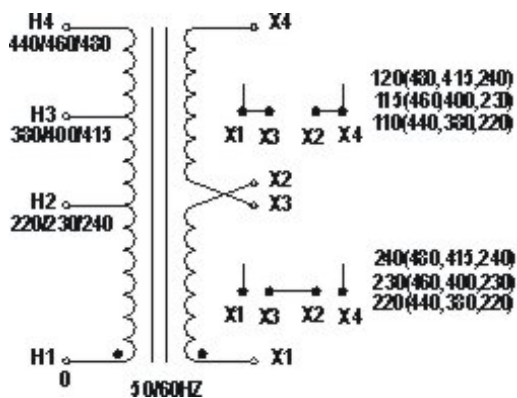
[↑ Top](#)



208/240/415/480/600* Volt Primary, 120 Volt Secondary, 50/60 Hz
 200/230/400/460/575* Volt Primary, 115 Volt Secondary, 50/60 Hz
 220/277*/380 Volt Primary, 110 Volt Secondary, 50/60 Hz

Group 4 CE

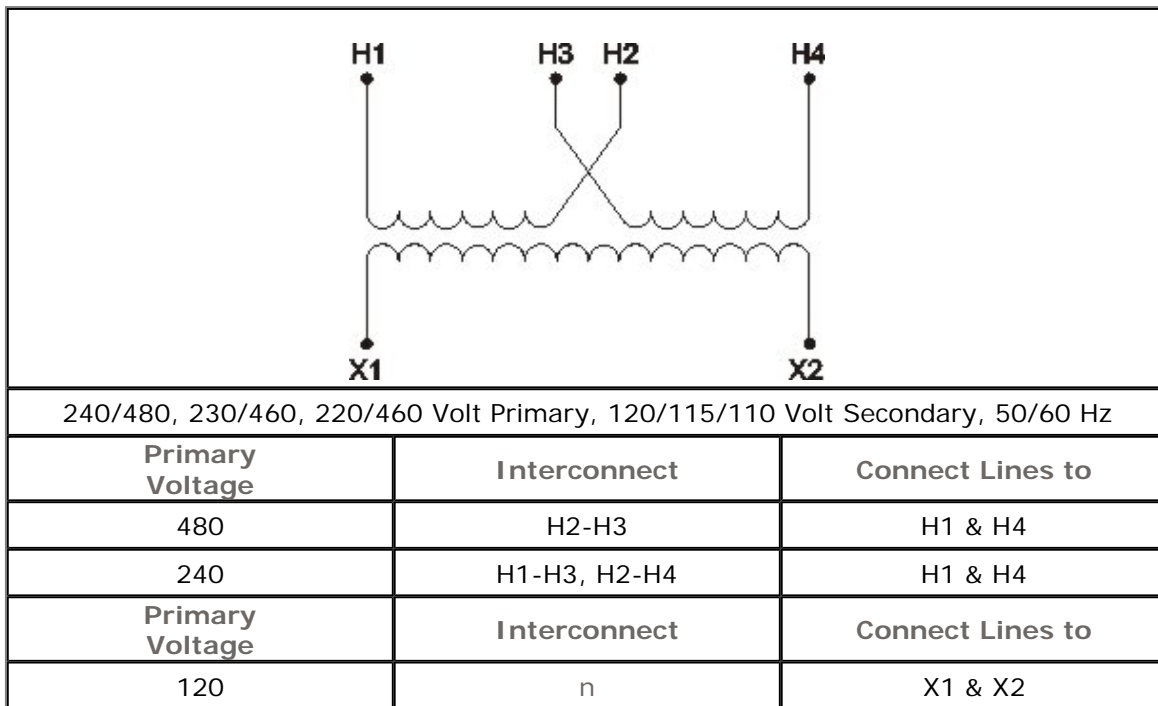
[↑ Top](#)



240/415/480 Volt Primary, 120/240 Volt Secondary, 50/60 Hz
 230/400/460 Volt Primary, 115/230 Volt Secondary, 50/60 Hz
 220/380/440 Volt Primary, 110/220 Volt Secondary, 50/60 Hz

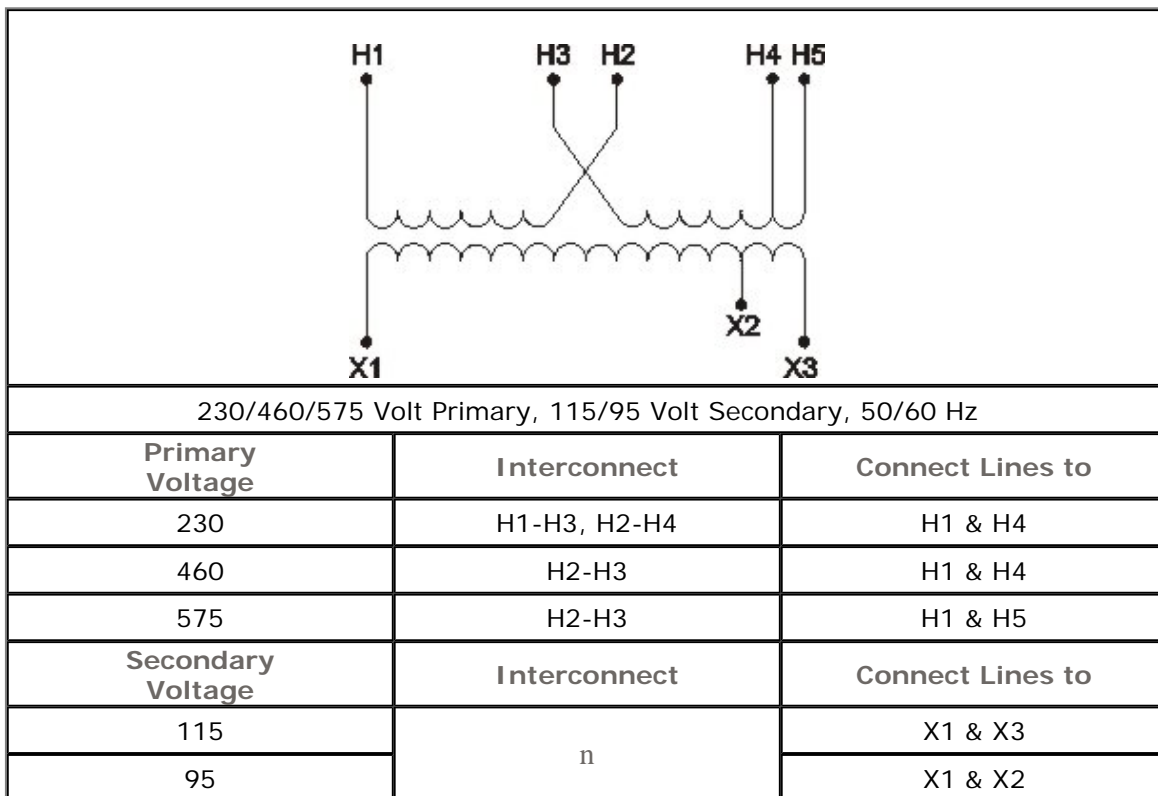
Group 1 HSZ

[↑ Top](#)



Group 2 HSZ

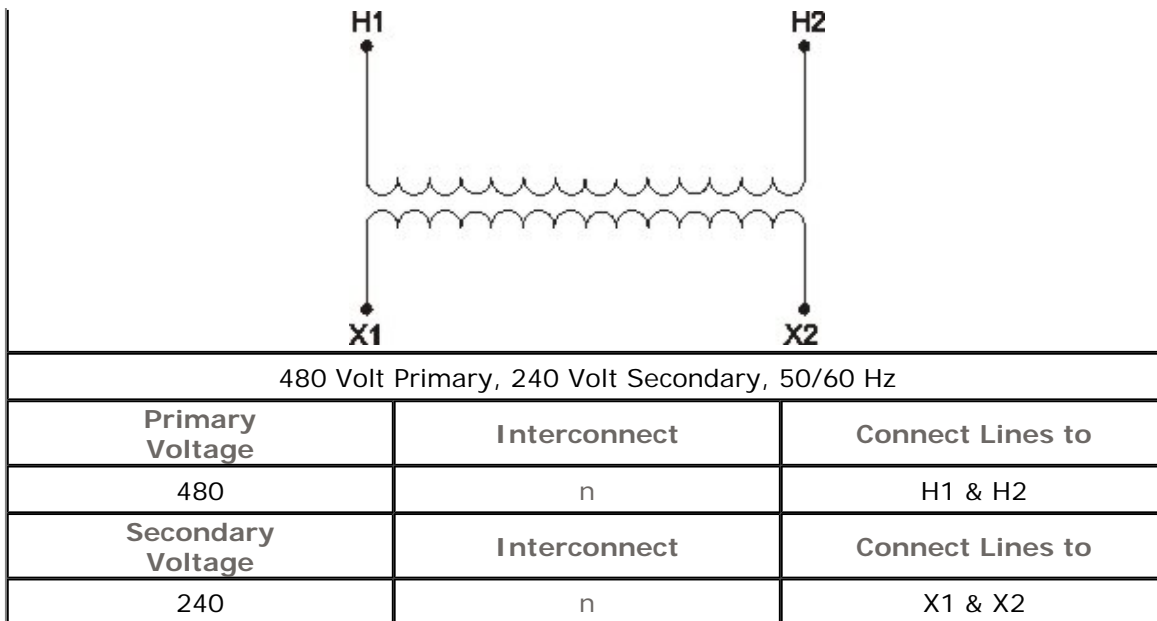
[↑ Top](#)



Group 3 HSZ

[↑ Top](#)





[What's New](#) | [Products](#) | [Cross Reference](#) | [Technical Support](#) | [Contact Us](#) | [Search](#) | [Home](#)

© 2001 Sola/Hevi-Duty. All Rights Reserved.