



Main

Range of product	Harmony 9001SK
Product or component type	Head for spring return push-button
Device short name	9001SK
Operator profile	flush, unmarked
Operator additional information	Set of 7 color caps

Complementary

Mounting diameter	1.18 in (30 mm)
Shape of signaling unit head	Round
Type of operator	spring return
Net Weight	0.11 lb(US) (0.05 kg)

Ordering and shipping details

Category	21429 - 9001 SK,SKY
Discount Schedule	CS1
GTIN	00785901458135
Nbr. of units in pkg.	1
Package weight(Lbs)	0.11 lb(US) (0.05 kg)
Returnability	Yes
Country of origin	MX

Packing Units

Unit Type of Package 1	PCE
Package 1 Height	2.80 in (7.112 cm)

* Price is "List Price" and may be subject to a trade discount – check with your local distributor or retailer for actual price.

Package 1 width	2.00 in (5.08 cm)
Package 1 Length	2.20 in (5.588 cm)
Unit Type of Package 2	PAL
Number of Units in Package 2	4000
Package 2 Weight	480.00 lb(US) (217.724 kg)
Package 2 Height	40.00 in (101.6 cm)
Package 2 width	40.00 in (101.6 cm)
Package 2 Length	48.00 in (121.92 cm)

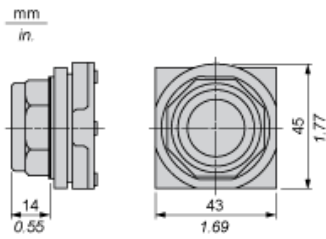
Offer Sustainability

Sustainable offer status	Green Premium product
California proposition 65	WARNING: This product can expose you to chemicals including: Lead and lead compounds, which is known to the State of California to cause cancer and birth defects or other reproductive harm. For more information go to www.P65Warnings.ca.gov
RECh Regulation	RECh Declaration
RECh free of SVHC	Yes
EU RoHS Directive	Pro-active compliance (Product out of EU RoHS legal scope) EU RoHS Declaration
Toxic heavy metal free	Yes
Mercury free	Yes
RoHS exemption information	Yes
China RoHS Regulation	China RoHS declaration
Environmental Disclosure	Product Environmental Profile
WEEE	The product must be disposed on European Union markets following specific waste collection and never end up in rubbish bins.

Contractual warranty

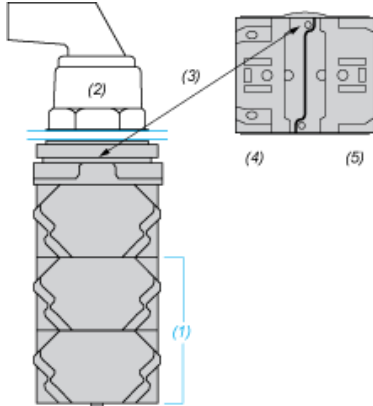
Warranty	18 months
----------	-----------

Dimensions



Contact Block Mounting Position

Top and Rear views



- (1) It is possible to mount up to 3 levels of contacts blocks (maximum of 6 contacts blocks)
- (2) Operator
- (3) Locating notch
- (4) Side 1
- (5) Side 2