



⚠ To be discontinued

Commercial status

Discontinued on: 12 November 2020

End-of-service on: 12 November 2020

Main

Range of product	Modicon Power Supply
Product or component type	Power supply
Power supply type	Regulated switch mode
Nominal input voltage	100...240 V AC phase to phase L1-L2 100...240 V AC single phase N-L1
Input voltage limits	85...264 V AC
Rated power in W	60 W
Output voltage	24 V DC
Power supply output current	2.5 A
Anti-harmonic filter	Low frequency harmonic currents

Complementary

Input protection type	Integrated fuse (not interchangeable)
Inrush current	90 A
Power factor	0.5 at 24 V DC
Efficiency	84 %
Output voltage adjustment	22.2...28.8 V adjustable
Power dissipation in W	11.4 W
Current consumption	0.7 A 240 V AC
Provided equipment	Power factor correction filter IEC 61000-3-2
Residual ripple	200 mV
Output protection type	Against undervoltage tripping if $U < 19$ V Against short-circuits
Connections - terminals	Screw type terminals 2 x 0.14...2 x 2.5 mm ² , AWG 26...AWG 14) input connection Screw type terminals 4 x 0.14...4 x 2.5 mm ² , AWG 26...AWG 14) output connection
Status LED	Output voltage 1 LED Green)

* Price is "List Price" and may be subject to a trade discount – check with your local distributor or retailer for actual price.

Depth	2.32 in (59 mm)
Height	3.94 in (100 mm)
Width	2.91 in (74 mm)
Net Weight	0.56 lb(US) (0.255 kg)
Output coupling	Series Parallel
Marking	CE
Mounting support	35 x 7.5 mm symmetrical DIN rail panel 2 screws, diameter : 4 mm 35 x 15 mm symmetrical DIN rail
Operating position	Vertical

Environment

Standards	CSA C22.2 No 60950-1 UL 508
Product certifications	EAC CULus 508 TUV 60950-1 RCM KC
Environmental characteristic	EMC EN 55022 Class B EMC EN 61000-6-3 EMC EN/IEC 61000-6-2 EMC EN/IEC 61204-3 Safety EN/IEC 60950-1 Safety SELV
Operating altitude	6561.68 ft (2000 m)
IP degree of protection	IP20 EN/IEC 60529
Ambient air temperature for operation	-13...131 °F (-25...55 °C) without 131...158 °F (55...70 °C) with derating factor)
Ambient air temperature for storage	-40...158 °F (-40...70 °C)
Relative humidity	0...90 % during operation 0...95 % in storage
Dielectric strength	3000 V between input and output

Ordering and shipping details

Category	22525 - ABL8 AND ABL7 POWER SUPPLIE
Discount Schedule	CP12
GTIN	00785901446484
Nbr. of units in pkg.	1
Package weight(Lbs)	1 lb(US) (0.45 kg)
Returnability	No
Country of origin	TW

Packing Units

Unit Type of Package 1	PCE
Package 1 Height	2.68 in (6.8 cm)
Package 1 width	3.27 in (8.3 cm)
Package 1 Length	4.25 in (10.8 cm)

Offer Sustainability

Sustainable offer status	Green Premium product
California proposition 65	WARNING: This product can expose you to chemicals including: Lead and lead compounds, which is known to the State of California to cause cancer and birth defects or other reproductive harm. For more information go to www.P65Warnings.ca.gov
RECh Regulation	RECh Declaration
RECh free of SVHC	Yes

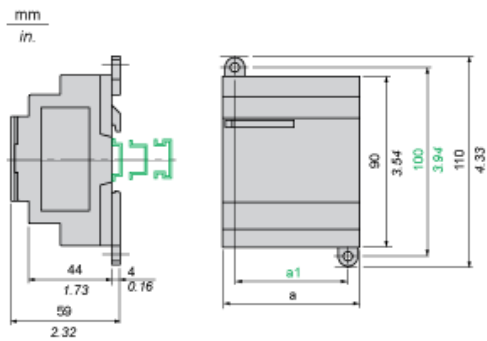
EU RoHS Directive	Pro-active compliance (Product out of EU RoHS legal scope) EU RoHS Declaration
Toxic heavy metal free	Yes
Mercury free	Yes
RoHS exemption information	Yes
China RoHS Regulation	China RoHS declaration
Environmental Disclosure	Product Environmental Profile
Circularity Profile	End of Life Information
PVC free	Yes

Contractual warranty

Warranty	18 months
----------	-----------

Regulated Switch Mode Power Supplies

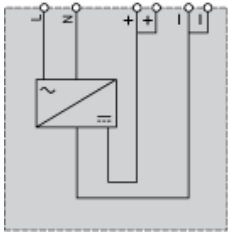
Dimensions



	a in mm	a in in.	a1 in mm	a1 in in.
ABL8MEM05040	54	2.12	42	1.65
ABL8MEM12020	54	2.12	42	1.65
ABL8MEM24003	36	1.41	24	0.94
ABL8MEM24006	36	1.41	24	0.94
ABL8MEM24012	54	2.12	42	1.65
ABL7RM24025	74	2.91	60	2.36

Regulated Switch Mode Power Supply

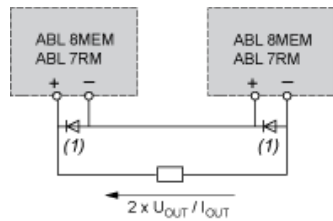
Internal Wiring Diagram



Regulated Switch Mode Power Supplies

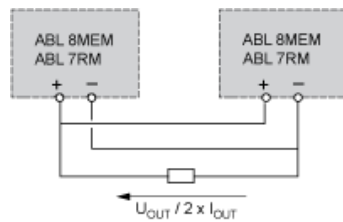
Series or Parallel Connection

Series Connection



(1) Two Schottky diodes I_{min} = power supply I_n and V_{min} = 50 V

Parallel Connection



Family	Series	Parallel
ABL 7RM/8MEM	2 products max.	2 products max.

NOTE: Series or parallel connection is only recommended for products with identical references.

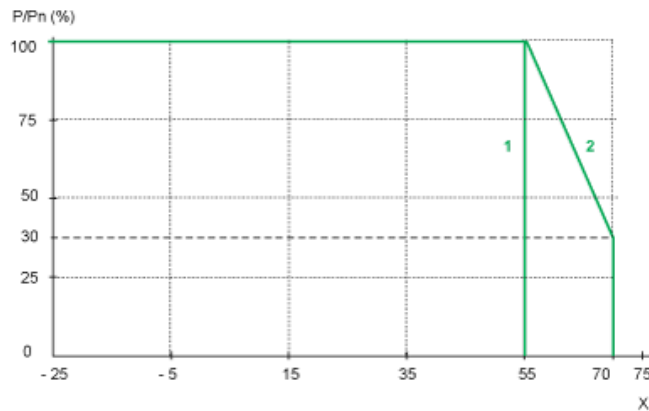
Regulated Switch Mode Power Supplies

Derating

The ambient temperature is a determining factor that limits the power an electronic power supply can deliver continuously. If the temperature around the electronic components is too high, their life will be significantly reduced.

The nominal ambient temperature for the Modular range of Phaseo power supplies is 55°C. Above this temperature, derating is necessary up to a maximum temperature of 70°C (except for the ABL7RM24025 model).

The graph below shows the power as a percentage of the nominal power that the power supply can deliver continuously, depending on the ambient temperature.



- X Maximum operating temperature (°C)
(1) With an ABL7RM24025
(2) With an ABL8MEM.....

ABL7RM24025 is replaced by:



Regulated power supply ABLM1A24025

Regulated Power Supply, 100-240V AC, 24V 2.5 A, single phase, Modular

Qty 1

Reason for Substitution: End of life | Substitution date: 30 April 2020