

Product data sheet

Characteristics

HLL36025LV

Circuit breaker, PowerPacT H, thermal magnetic, unit mount, 25A, 3 pole, 50 kA, 600 VAC, control wire OFF end, 80% rated

Product availability : Non-Stock - Not normally stocked in distribution facility



Main

Product or component type	Circuit breaker
---------------------------	-----------------

Complementary

Number of Poles	3P
Breaking capacity code	L
Magnetic hold current	350 A
Magnetic tripping current	750 A
Electrical connection	Lugs load Lugs line
Tightening torque	44.25 lbf.in (5 N.m) 0.00...0.15 in ² (2.5...95 mm ²) AWG 14...AWG 3/0
Height	6.4 in (162.56 mm)
Width	4.12 in (104.65 mm)
Depth	4.36 in (110.74 mm)
Continuous current rating	80 %

Ordering and shipping details

Category	01120 - HL,JL UNIT MT BREAKER/SWITCH
Discount Schedule	DE2
Nbr. of units in pkg.	1
Package weight(Lbs)	4.13 lb(US) (1.87 kg)
Returnability	No
Country of origin	MX

* Price is "List Price" and may be subject to a trade discount – check with your local distributor or retailer for actual price.

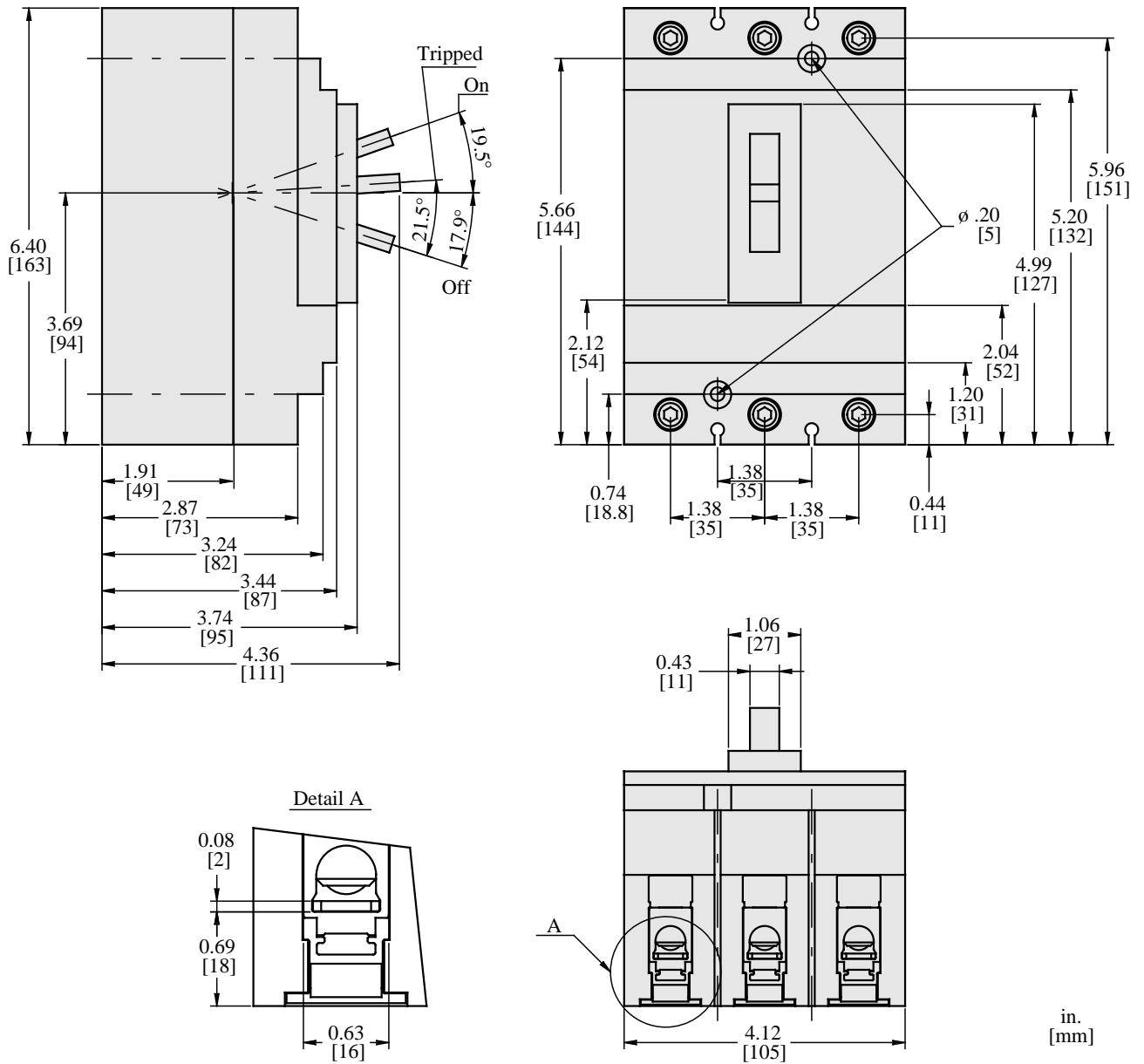
Offer Sustainability

Sustainable offer status	Green Premium product
California proposition 65	WARNING: This product can expose you to chemicals including: DINP, which is known to the State of California to cause cancer, and DIDP, which is known to the State of California to cause birth defects or other reproductive harm. For more information go to www.P65Warnings.ca.gov
REACH Regulation	REACH Declaration
EU RoHS Directive	Compliant EU RoHS Declaration
Mercury free	Yes
RoHS exemption information	Yes
China RoHS Regulation	China RoHS declaration Product out of China RoHS scope. Substance declaration for your information.
Environmental Disclosure	Product Environmental Profile
Circularity Profile	End of Life Information
PVC free	Yes

Contractual warranty

Warranty	18 months
----------	-----------

Dimensions



in.
[mm]

All dimensions are approximate. Also refer to technical drawings and documentation.