

Product data sheet

Characteristics

NQ442L2C

Panelboard interior, NQ, main lugs, 225A, Cu bus, 42 pole spaces, 3 phase, 4 wire, 240 VAC, 48 VDC

Product availability : Stock - Normally stocked in distribution facility



Main

Panelboard Type	Main lugs
Product or component type	Interiors
Branch Circuit Breaker Type	QOB QOB-VH QHB
Busbar Material	Copper

Complementary

Number of spaces	42
Enclosure Nominal Height	38 in (965.20 mm)
Enclosure Nominal Width	20 in (508.00 mm)
Enclosure Nominal Depth	5.75 in (146.05 mm) NEMA 1 6.5 in (165.10 mm) NEMA 3R/5/12
Line Rated Current	225 A
[I _u] rated interrupted current	10 kA 22 kA 65 kA
Wiring configuration	4-wire
Number of Phases	3 phase
Voltage Rating	240 V AC 48 V DC
Connections - terminals	Lug line AWG 6...350 kcmil aluminium Lug neutral AWG 6...350 kcmil aluminium
Tightening torque	40.01...50.01 lbf.in (4.52...5.65 N.m) 0.02...0.10 in ² (13.30...67.43 mm ²) AWG 6...AWG 2/0 100.01 lbf.in (11.3 N.m) 0.02...0.10 in ² (13.30...67.43 mm ²) AWG 6...AWG 2/0 274.99 lbf.in (31.07 N.m) 0.02...0.27 in ² (13.30...177.3 mm ²) AWG 6...350 kcmil 274.99 lbf.in (31.07 N.m) 0.02...0.20 in ² (13.30...126.7 mm ²) AWG 6...250 kcmil

* Price is "List Price" and may be subject to a trade discount – check with your local distributor or retailer for actual price.

	274.99 lbf.in (31.07 N.m) 0.17...0.24 in ² (107.2...152 mm ²) AWG 4...300 kcmil)
Height	33.00 in (838.20 mm)
Width	10.44 in (265.18 mm)
Net Weight	19.36 lb(US) (8.78 kg)

Environment

Standards	CSA UL
-----------	-----------

Ordering and shipping details

Category	09151 - NQ RTA PANELBOARDS
Discount Schedule	PE1A
GTIN	00785901507871
Nbr. of units in pkg.	1
Package weight(Lbs)	20.5 lb(US) (9.30 kg)
Returnability	Yes
Country of origin	MX

Packing Units

Package 1 Height	6.20 in (15.748 cm)
Package 1 width	14.00 in (35.560 cm)
Package 1 Length	38.00 in (96.520 cm)

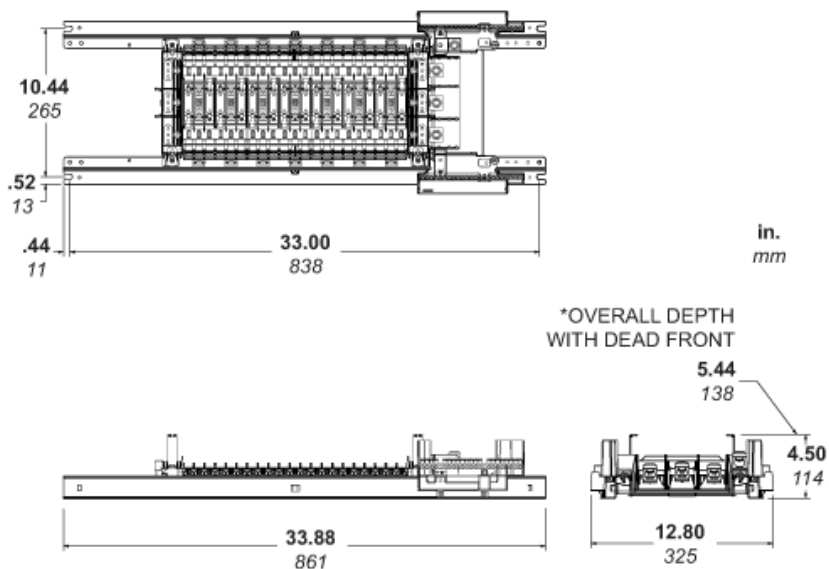
Offer Sustainability

Sustainable offer status	Green Premium product
California proposition 65	WARNING: This product can expose you to chemicals including: Nickel compounds, which is known to the State of California to cause cancer, and Bisphenol A (BPA), which is known to the State of California to cause birth defects or other reproductive harm. For more information go to www.P65Warnings.ca.gov
REACH Regulation	REACH Declaration
REACH free of SVHC	Yes
EU RoHS Directive	Compliant EU RoHS Declaration
Mercury free	Yes
RoHS exemption information	Yes
China RoHS Regulation	China RoHS declaration Product out of China RoHS scope. Substance declaration for your information.
Environmental Disclosure	Product Environmental Profile

Contractual warranty

Warranty	18 months
----------	-----------

Approximate Dimensions



Catalog	Phase/Wire	Bus Thickness	Bus Material	Lug Size
NQ442L2C	3P 4W	.25	CU	#6-350 KCMIL
NQ42L2C	1P 3W	.25	CU	#6-350 KCMIL
NQ442L2	3P 4W	.25	AL	#6-350 KCMIL
NQ42L2	1P 3W	.25	AL	#6-350 KCMIL