

Product data sheet

Characteristics

SC816D200C

Meter mains, Homeline, combination service entrance, ringed socket, 200A, surface mount, maximum 8 spaces, 16 circuits, no bypass

Product availability : Stock - Normally stocked in distribution facility



Main

Product or component type	Meter Mains
Range of product	Homeline

Complementary

Line Rated Current	200 A
Short-circuit current	10 kA
Network number of phases	1
Meter socket type	Ringed
Mounting	Surface
Number of spaces	8
Number of circuits	16
Number of Tandem Breakers	8
Hub type	A A-L
Electrical connection	Lugs line side Feed-thru lugs service ground Feed-thru lugs load side
Wire Size	AWG 6...300 kcmil aluminium/copper)line side AWG 12...AWG 1/0 aluminium/copper)service ground AWG 6...250 kcmil aluminium/copper)load side
Tightening torque	Main lugs 250 lb.in, AWG 6...300 kcmil, aluminium/copper Service ground 50 lb.in, AWG 14...AWG 1/0, copper Service ground 50 lb.in, AWG 12...AWG 1/0, aluminium Lugs 250 lb.in, AWG 6...250 kcmil, aluminium/copper Branch lugs 50 lb.in, AWG 3...AWG 1/0, aluminium/copper Branch lugs 45 lb.in, AWG 6...AWG 4, aluminium/copper Branch lugs 40 lb.in, AWG 8, aluminium/copper

* Price is "List Price" and may be subject to a trade discount – check with your local distributor or retailer for actual price.

Branch lugs 35 lb.in, AWG 14...AWG 10, copper
Branch lugs 35 lb.in, AWG 12...AWG 10, aluminium
Cover 10 lb.in

Disconnect	Service disconnect (factory installed)
Main Breaker Rating	200 A
Branch Breaker Rating	100 A
Service feed location	OH UG
Bypass type	No bypass
Depth	7.12 in (180.85 mm)
Width	14.95 in (379.73 mm)
Height	34.00 in (863.60 mm)

Environment

Product certifications	UL E-6294
------------------------	-----------

Ordering and shipping details

Category	00048 - HOM METER MAINS
Discount Schedule	DE3A
GTIN	00785901859161
Nbr. of units in pkg.	1
Package weight(Lbs)	51.65 lb(US) (23.43 kg)
Returnability	Yes
Country of origin	MX

Packing Units

Unit Type of Package 1	PCE
Package 1 Height	7.90 in (20.066 cm)
Package 1 width	15.50 in (39.37 cm)
Package 1 Length	33.50 in (85.09 cm)
Unit Type of Package 2	PAL
Number of Units in Package 2	15
Package 2 Weight	814.00 lb(US) (369.224 kg)
Package 2 Height	40.50 in (102.87 cm)
Package 2 width	40.00 in (101.6 cm)
Package 2 Length	48.00 in (121.92 cm)

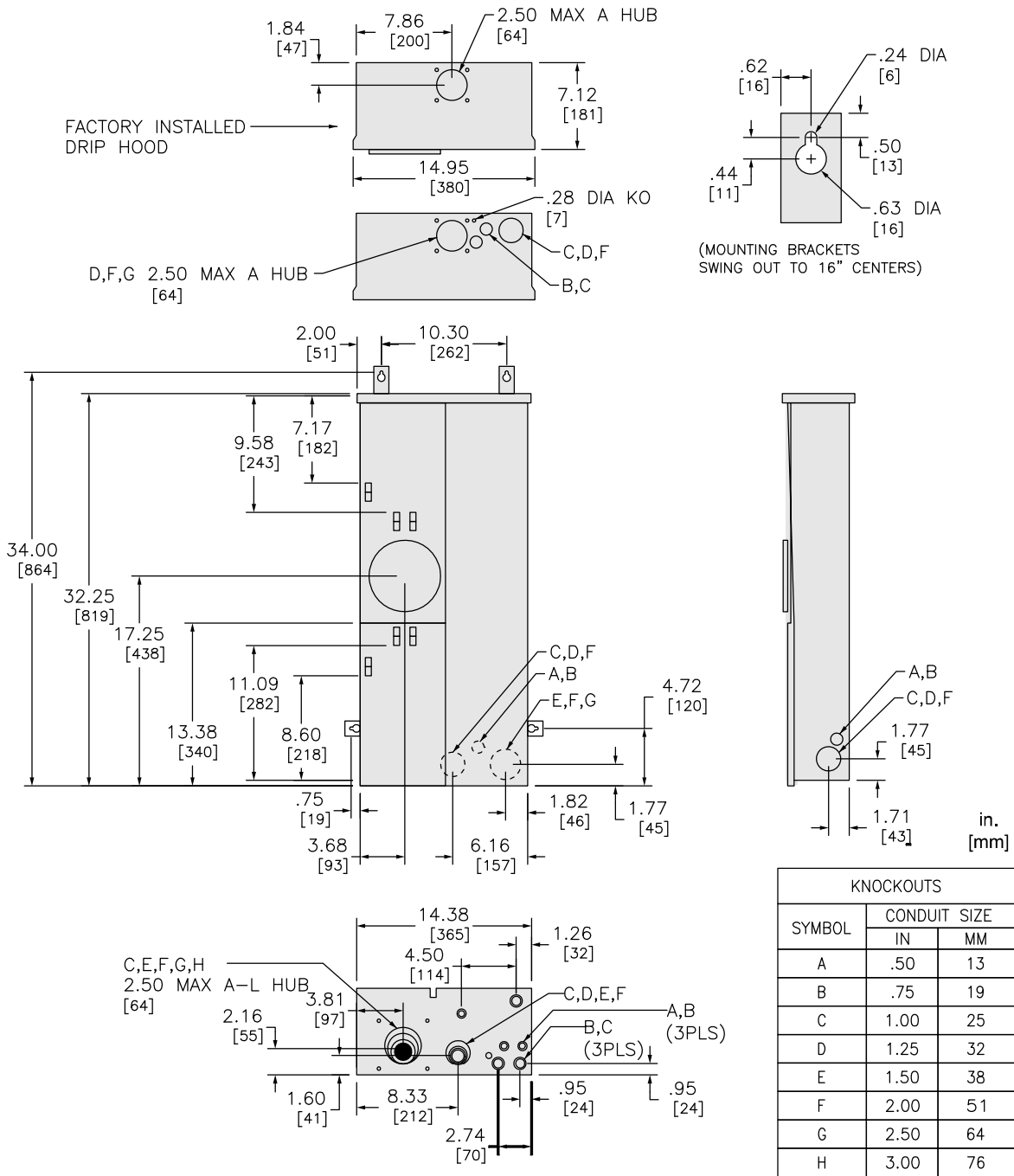
Offer Sustainability

California proposition 65	WARNING: This product can expose you to chemicals including: Lead and lead compounds, which is known to the State of California to cause cancer and birth defects or other reproductive harm. For more information go to www.P65Warnings.ca.gov
REACH Regulation	REACH Declaration
REACH free of SVHC	Yes
EU RoHS Directive	Compliant EU RoHS Declaration
Mercury free	Yes
RoHS exemption information	Yes
China RoHS Regulation	China RoHS declaration Product out of China RoHS scope. Substance declaration for your information.

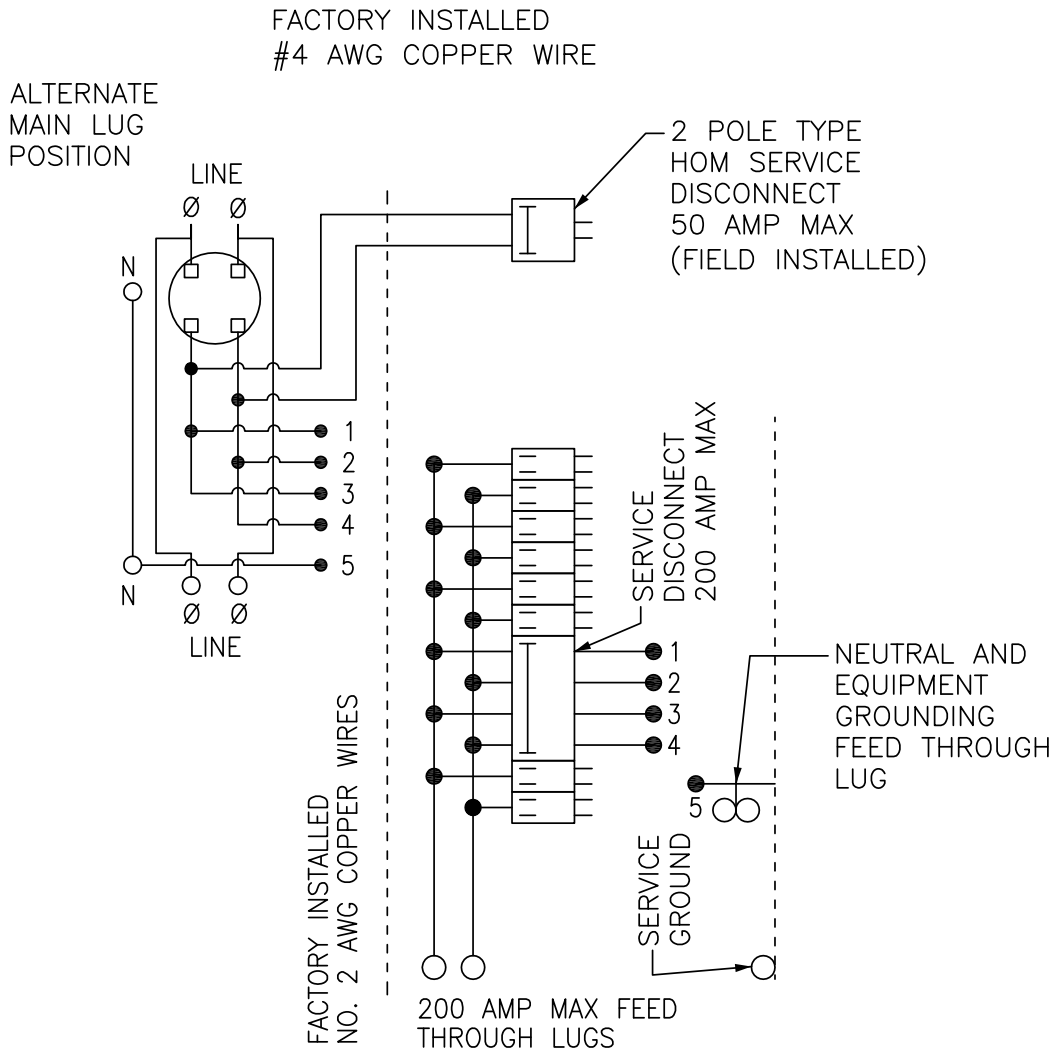
Contractual warranty

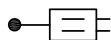
Warranty	18 months
----------	-----------

Dimensions



Wiring Diagram



-  TWO SINGLE POLE, ONE PLUG-ON SPACE TYPE HOMT OR ONE SINGLE POLE, ONE PLUG-ON SPACE TYPE HOM. TWO POLE TYPE HOM, HOMA OR HOMT MAY PLUG-ON TWO ADJACENT SPACES. A 100 AMP MAX. CIRCUIT BREAKER MAY BE INSTALLED IN THE LOWEST POSITION IN THE BRANCH PANEL. ALL OTHER POSITIONS ARE LIMITED TO 70 AMP MAX. CIRCUIT BREAKERS.