



S1A4558802

Altivar 320

Altivar 32

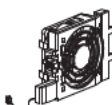
VZ3V32A100, VZ3V32B100
VZ3V32C100, VZ3V32D100
VZ3V303S2001, VZ3V303S3001



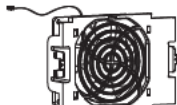
VZ3V32A100



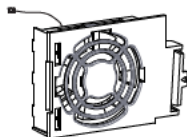
VZ3V32C100



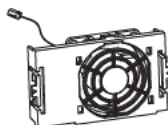
VZ3V32B100



VZ3V32D100



VZ3V303S2001



VZ3V303S3001

ATV32H018M2...H075M2, ATV32H037N4...HU15N4 ATV320U02M2B...U07M2B, ATV320U04N4B...U15N4B	VZ3V32A100
ATV32HU11M2...HU22M2, ATV32HU22N4...HU40N4 ATV320U11M2B...U22M2B, ATV320U22N4B...U40N4B	VZ3V32B100
ATV32HU55N4...HU75N4, ATV320U55N4B...U75N4B	VZ3V32C100
ATV32HD11N4...HD15N4, ATV320D11N4B...D15N4B	VZ3V32D100
ATV320U11M2C...U22M2C, ATV320U04N4C...U15N4C	VZ3V303S2001
ATV320U22N4C...U40N4C	VZ3V303S3001

⚠ ⚠ DANGER

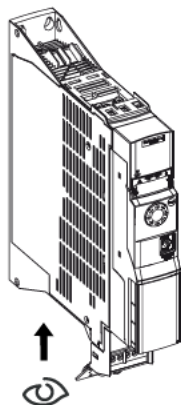
HAZARD OF ELECTRIC SHOCK, EXPLOSION, OR ARC FLASH

- Only appropriately trained persons who are familiar with and understand the contents of this manual and all other pertinent product documentation and who have received safety training to recognize and avoid hazards involved are authorized to work on and with this drive system. Installation, adjustment, repair, and maintenance must be performed by qualified personnel.
 - The system integrator is responsible for compliance with all local and national electrical code requirements as well as all other applicable regulations with respect to grounding of all equipment.
 - Many components of the product, including the printed circuit boards, operate with mains voltage. Do not touch. Use only electrically insulated tools.
 - Do not touch unshielded components or terminals with voltage present.
 - Motors can generate voltage when the shaft is rotated. Prior to performing any type of work on the drive system, block the motor shaft to prevent rotation.
 - AC voltage can couple voltage to unused conductors in the motor cable. Insulate both ends of unused conductors of the motor cable.
 - Do not short across the DC bus terminals or the DC bus capacitors or the braking resistor terminals.
 - Before performing work on the drive system:
 - Disconnect all power, including external control power that may be present.
 - Place a "Do Not Turn On" label on all power switches.
 - Lock all power switches in the open position.
 - Wait 15 minutes to allow the DC bus capacitors to discharge. The DC bus LED is not an indicator of the absence of DC bus voltage that can exceed 800 Vdc.
 - Measure the voltage on the DC bus between the DC bus terminals (PA/+ and PC/-) using a properly rated voltmeter to verify that the voltage is <42 Vdc.
 - If the DC bus capacitors do not discharge properly, contact your local Schneider Electric representative. Do not repair or operate the product.
 - Install and close all covers before applying voltage.
- Failure to follow these instructions will result in death or serious injury.**

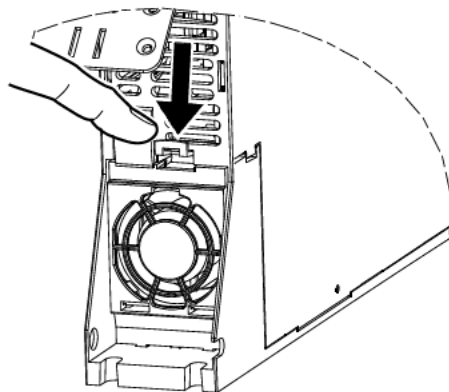
Electrical equipment should be installed, operated, serviced, and maintained only by qualified personnel. No responsibility is assumed by Schneider Electric for any consequences arising out of the use of this product.

© 2016 Schneider Electric. All Rights Reserved.

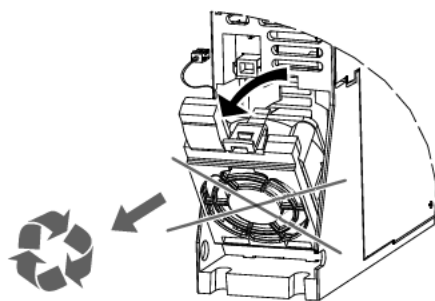
VZ3V32A100, VZ3V32B100



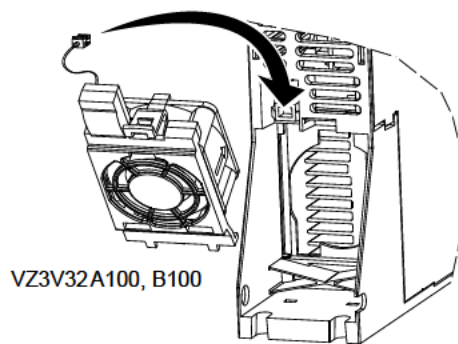
1



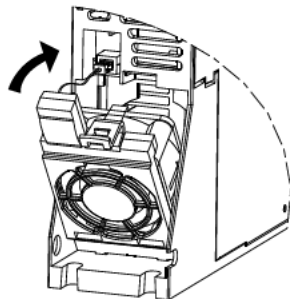
2



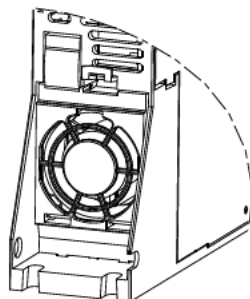
3



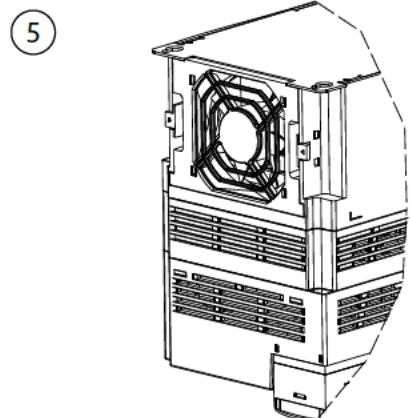
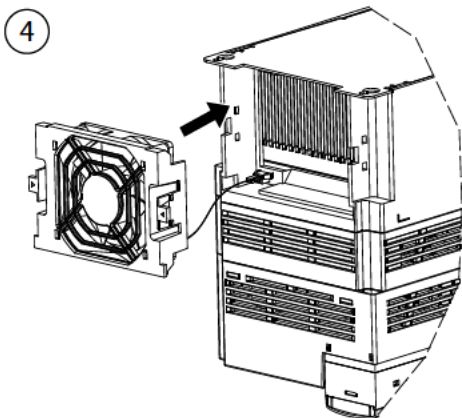
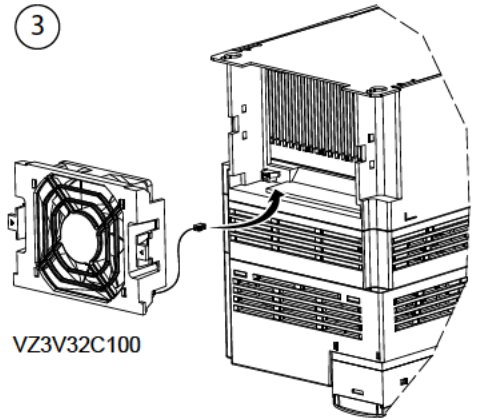
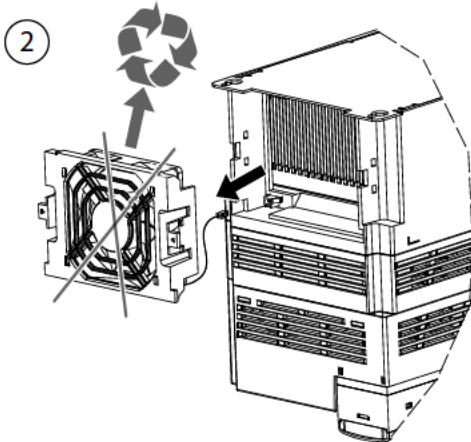
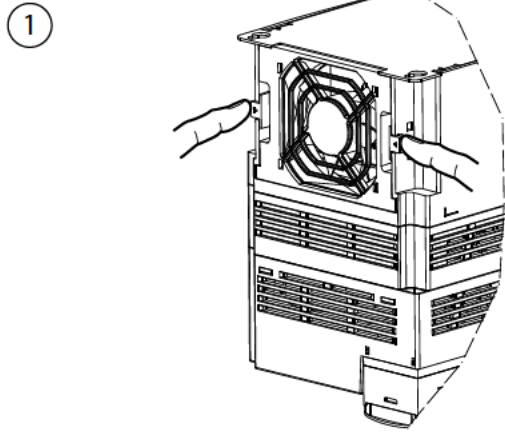
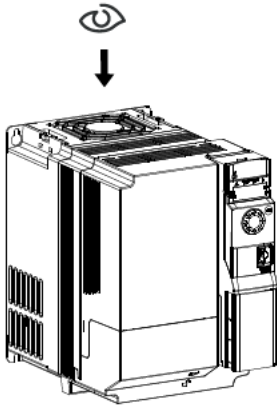
4



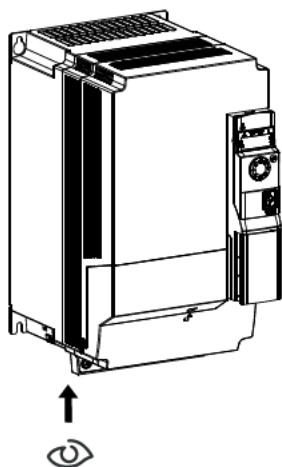
5



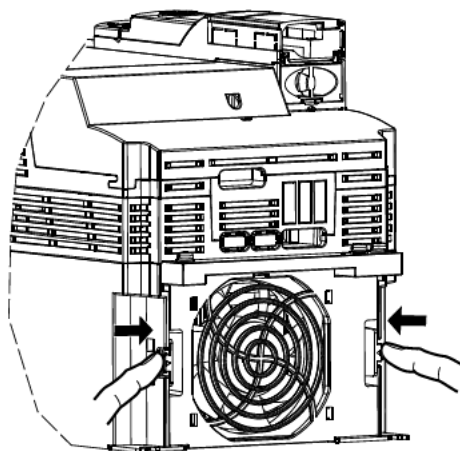
VZ3V32C100



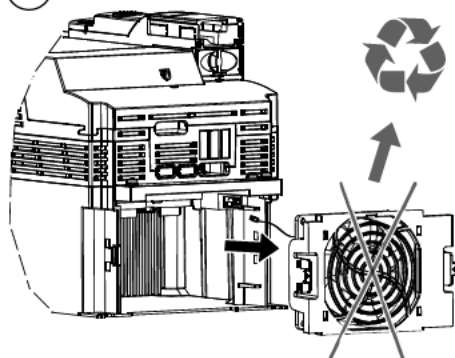
VZ3V32D100



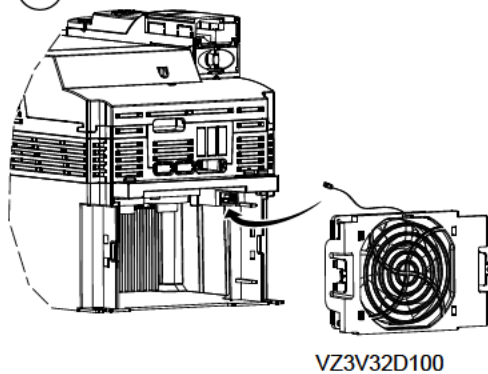
①



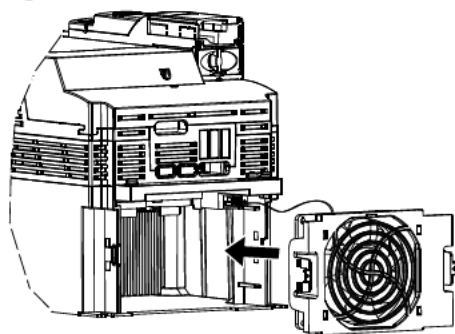
②



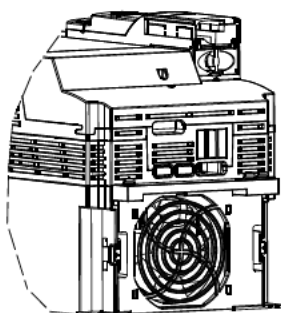
③



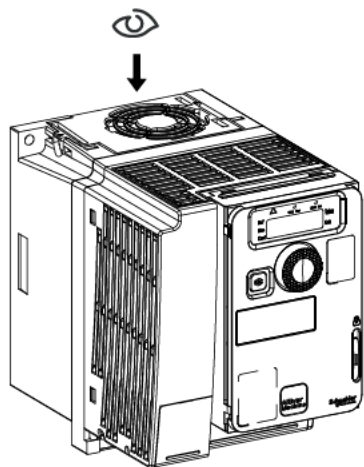
④



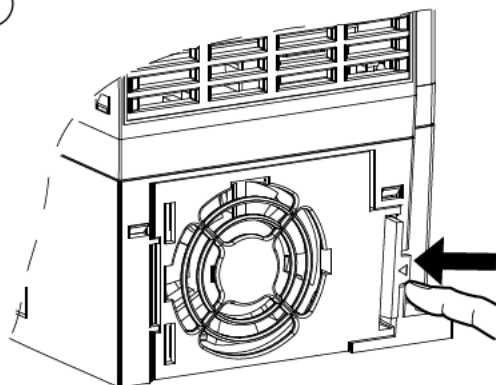
⑤



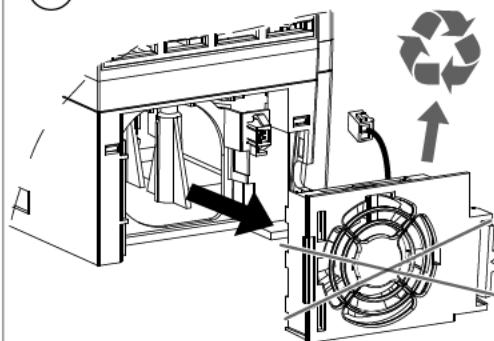
VZ3V303S2001



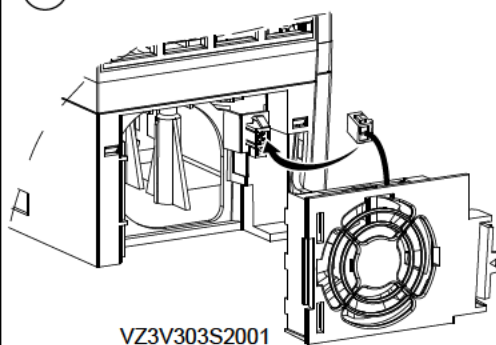
1



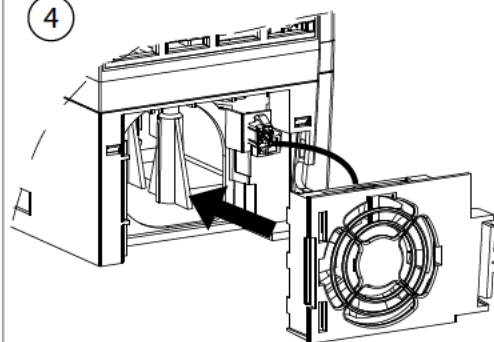
2



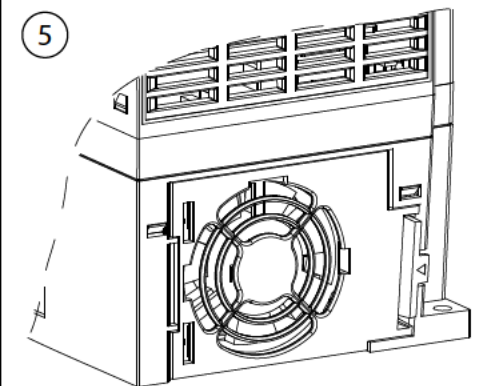
3



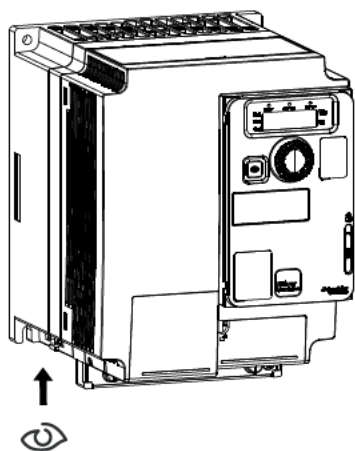
4



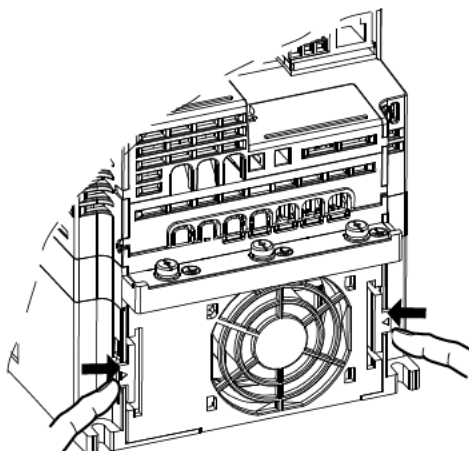
5



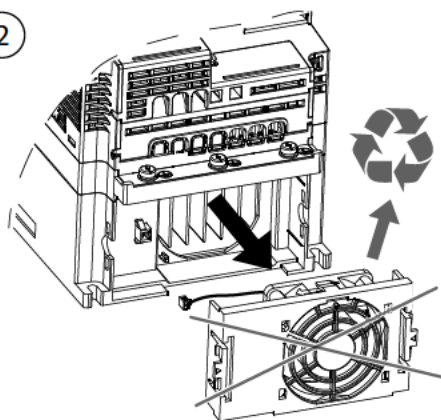
VZ3V303S3001



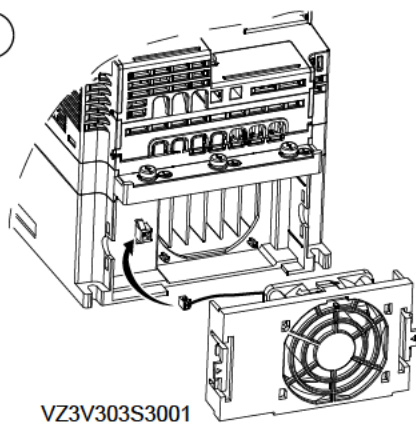
①



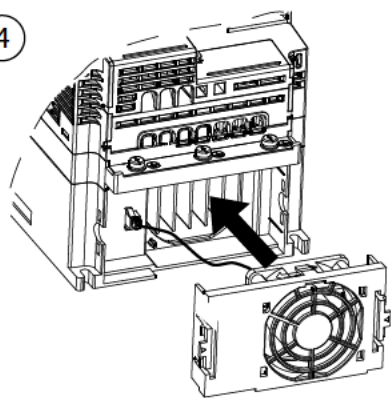
②



③



④



⑤

