



Industry's unique requirement for extra deep enclosure without significantly increasing the length and width of the enclosure is met with Stahlin's extra deep Fatboy series.

The Fatboy series is a clam shell style enclosure, noted by near equidistant capacity in both the cover and base. The series employs a flange mount base for ease of installation, a stainless steel full length hinge and stainless steel securing latch. Door clearance to the installed equipment must be considered when specifying this enclosure.

The demands for cover mounted components such as DIN facings or multiple contact pushbuttons are met with ample depth from the cover or with substantial height for panel mounted components.

### Fatboy Series Attributes

- Available in 2 cover options:
  1. Opaque Cover
  2. Flush Bonded Window
- Clam shell design, opening from the middle of the enclosure
- All stainless latches and hardware
- Memory retaining polyurethane gasket between cover and bases
- Full length stainless steel hinge
- Chemically resistant fiberglass reinforced polyester
- Integral mounting flange

### SSH Industry Standards

<b>UL/cUL 50</b>	File E64358 Type 1, 3R, 4X, 12
<b>NEMA 250</b>	Type 1, 3R, 4X, 12
<b>CSA Std C22.2</b>	File LR069014 Type 1, 3R, 4X, 12
<b>Temperature Range</b>	(-76°F to +274°F) (-60°C to +134°C)
<b>Temperature Range Window</b>	(-26°F to +170°F) (-32°C to +76°C)
<b>Flammability Rating</b>	UL94-5V
<b>Window Flammability</b>	UL94-HB
<b>Self extinguishing</b>	Non-halogenated, non-flame propagating
<b>Chemical Resistance</b>	Full chemical resistance charts listed in appendix
<b>NFPA No. 101 Flame Spread</b>	Class A (1)

# Technical Specifications - Fatboy Series

## Flush Bonded Window "SSH" configuration - Hinged, padlock latch



### SSH Construction

<b>Material</b>	Hot compression molded fiberglass reinforced polyester (thermoset).
<b>Gasket</b>	Poured polyurethane seamless gasket provides watertight, dust-tight environmental seal
<b>Pan head screws</b>	Minimized protruding surfaces
<b>Stainless Steel Hardware</b>	300 Series stainless used on all external hardware
<b>Molded in Mounting Flange</b>	Molded in flange for ease of mounting.
<b>Mounting Bosses</b>	Panel mounting capability for fixed rear panel
<b>Metal inserts</b>	Back panel utilizes threaded brass inserts accepting 10-32 screws
<b>Soft Edge Design</b>	Rounded edges, minimal protrusions or exposed pocket areas for assembly of dust and debris
<b>Bonded Window</b>	Precision routed flush bonded Super Abrasion Resistant acrylic material for maximum visibility

### SSH Industry Standards

<b>UL/cUL 50</b>	File E64358 Type 1, 3R, 4X, 12
<b>NEMA 250</b>	Type 1, 3R, 4X, 12
<b>CSA Std C22.2</b>	File LR069014 Type 1, 3R, 4X, 12
<b>Temperature Range</b>	(-76°F to +274°F) (-60°C to +134°C)
<b>Temperature Range Window</b>	(-26°F to +170°F) (-32°C to +76°C)
<b>Flammability Rating</b>	UL94-5V
<b>Window Flammability</b>	UL94-HB
<b>Self Extinguishing</b>	Non-halogenated, non-flame propagating
<b>Chemical Resistance</b>	Full chemical resistance charts listed in appendix
<b>NFPA No. 101 Flame Spread</b>	Class A (1)

### NOTES:

### SSH Accessories

#### Back Panels

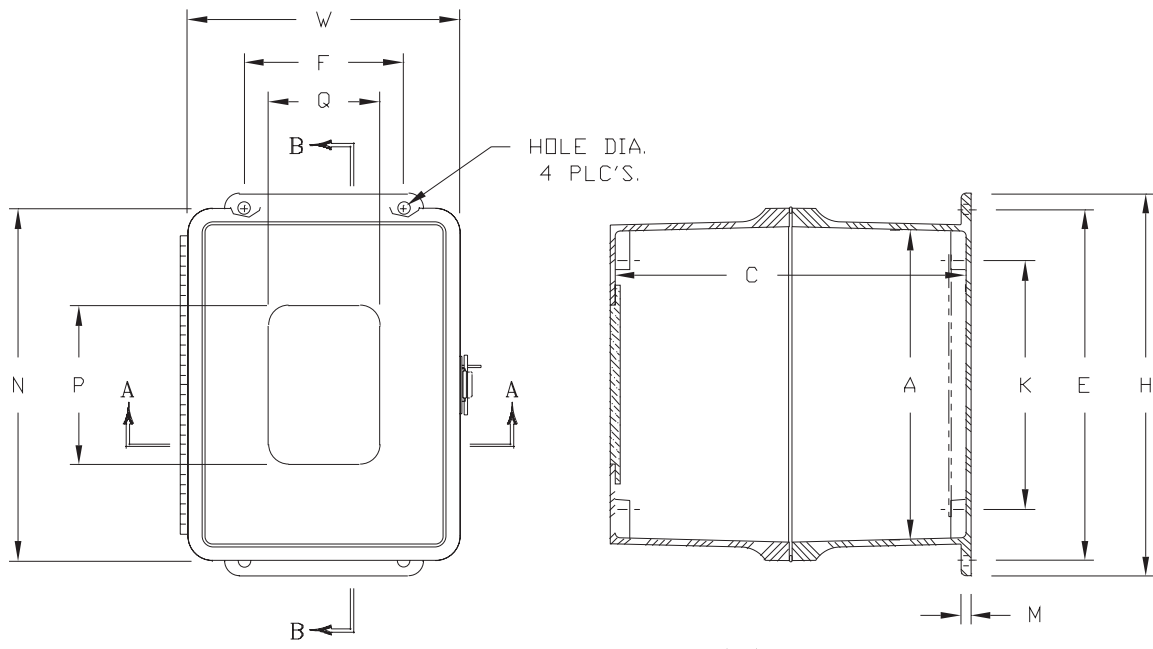
<b>Aluminum</b>	BP_AL	pg. 149 - 150
<b>Fiberglass</b>	BP_FG	pg. 149 - 150
<b>Stainless Steel</b>	BP_SS	pg. 149 - 150
<b>Painted Carbon Steel</b>	BP_CS	pg. 149 - 150

#### Accessories

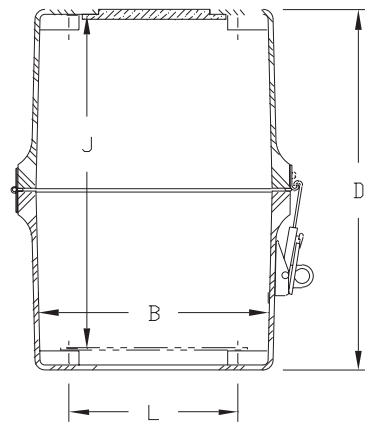
<b>Drain &amp; Breather Vents</b>	pg. 144, 146
<b>Hole Plugs</b>	pg. 145
<b>Assorted Hubs and Cord Grips</b>	pg. 145, 148
<b>All Other Accessories</b>	pg. 144 - 159

### SSH Modifications

<b>Custom Colors</b>	pg. 12 - 13
<b>Silk Screening</b>	pg. 12 - 13
<b>EMI/RFI Shielding</b>	pg. 12 - 13
<b>Custom Window</b>	pg. 12 - 13
<b>Custom Cutouts/Holes</b>	pg. 12 - 13



SECTION B-B



SECTION A-A

## The Fatboy Series

### Extra Deep Enclosures with Windows - Fatboy Configuration Dimensions

SIZE ID NUMBER	OVERALL H X W X D	INSIDE A X B X C	MOUNTING E X F	J	K	L	M	N	WINDOW AREA P X Q	HOLE DIA.	SHIPPING WEIGHT	PANEL NUMBER
JW8088SSH	9.56 x 8.84 x 9.44 (243 x 225 x 240)	7.73 x 7.73 x 9.19 (196 x 196 x 233)	8.75 x 6.00 (222 x 152)	8.61 (219)	6.25 (159)	6.25 (159)	.25 (6)	8.84 (224)	4.25 x 4.25 (108 x 108)	.31 (8)	5.8 lbs.	BP88*
JW10088SSH	11.63 x 8.84 x 8.09 (295 x 225 x 206)	9.73 x 7.73 x 7.84 (247 x 196 x 199)	10.75 x 6.00 (273 x 152)	7.39 (188)	8.25 (210)	6.25 (159)	.25 (6)	10.86 (276)	6.25 x 4.25 (159 x 108)	.31 (8)	6.5 lbs.	BP108*
JW121010SSH	13.56 x 10.93 x 10.06 (344 x 278 x 256)	11.79 x 9.80 x 9.81 (299 x 249 x 249)	12.75 x 8.00 (324 x 203)	9.36 (238)	10.25 (260)	8.25 (210)	.25 (6)	12.95 (329)	8.25 x 6.25 (209 x 159)	.31 (8)	9.1 lbs.	BP1210*
JW121212SSH	13.56 x 12.84 x 12.38 (344 x 326 x 314)	11.70 x 11.70 x 12.13 (297 x 297 x 308)	12.75 x 10.00 (324 x 254)	11.55 (293)	10.25 (260)	10.25 (260)	.25 (6)	12.84 (326)	8.25 x 8.25 (209 x 209)	.31 (8)	12.1 lbs.	BP1212*
JW141212SSH	15.50 x 12.83 x 12.06 (394 x 326 x 306)	13.50 x 11.52 x 11.81 (343 x 293 x 300)	14.63 x 10.00 (372 x 254)	11.23 (285)	12.25 (311)	10.25 (260)	.25 (6)	14.88 (378)	10.25 x 8.25 (260 x 209)	.31 (8)	14.1 lbs.	BP1412*
JW161412SSH	17.53 x 14.94 x 12.07 (445 x 379 x 307)	15.60 x 13.56 x 11.82 (396 x 344 x 300)	16.75 x 12.00 (425 x 305)	11.24 (285)	14.25 (362)	12.25 (311)	.25 (6)	16.95 (431)	12.25 x 10.25 (311 x 260)	.31 (8)	17.6 lbs.	BP1614*
JW181617SSH	19.63 x 16.92 x 17.19 (499 x 430 x 437)	17.69 x 15.69 x 16.81 (449 x 399 x 427)	18.88 x 12.00 (479 x 305)	16.38 (416)	16.25 (413)	14.25 (362)	.25 (6)	18.92 (481)	14.25 x 12.25 (362 x 311)	.31 (8)	26.4 lbs.	BP1816*
JW201617SSH	22.00 x 17.00 x 17.21 (559 x 432 x 437)	19.72 x 15.72 x 16.84 (501 x 399 x 428)	21.25 x 10.00 (540 x 254)	16.38 (416)	18.25 (464)	14.25 (362)	.25 (6)	21.00 (533)	16.25 x 12.25 (413 x 311)	.31 (8)	28.5 lbs.	BPJ2016*

Caution: Metric units are for reference; do not convert.

\* Panel sold separately