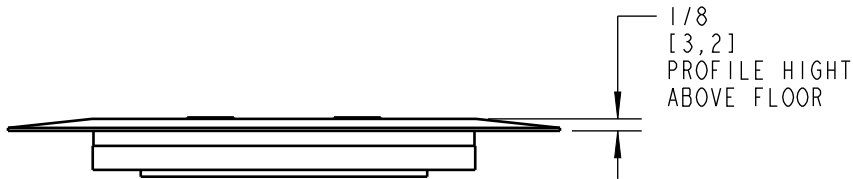
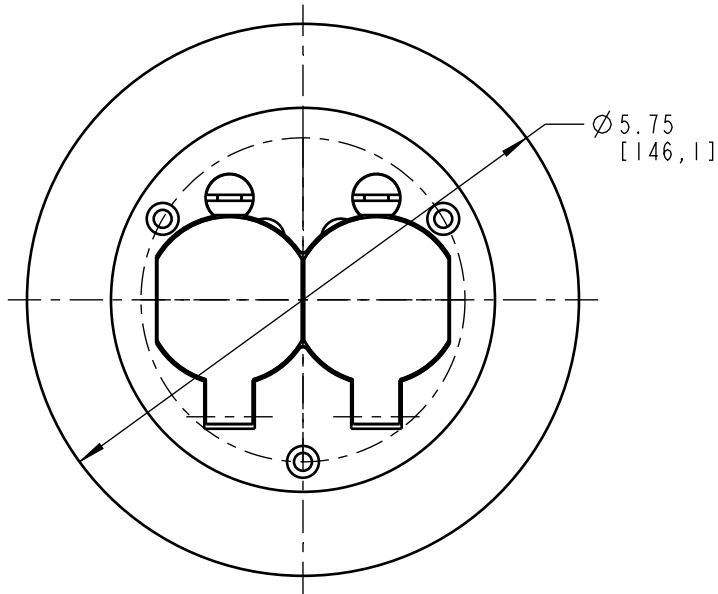
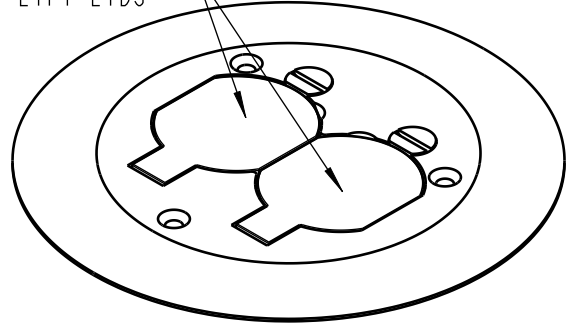


CATALOG NUMBERS:

P 60 CACP
P60CACP-AL

HINGED DUPLEX
LIFT LIDS



CATALOG NUMBERS	MATERIAL	FINISH
P 60 CACP	SOLID BRASS	BRASS
P 60 CACP AL	ALUMINUM	ALUMINUM

FEATURES:

1. FOR USE WITH 68P, 68 AND 600 SERIES FLOOR BOXES
2. AVAILABLE IN SOLID BRASS OR ALUMINUM
3. FURNISHED WITH MATCHING 8-32 X 1" SCREWS

GENERAL NOTES

1. ALL DIMENSIONS ARE FOR REFERENCE ONLY.
2. DIMENSIONS IN BRACKETS [] ARE IN METRIC UNITS.

REVISIONS

A SEE ECN (****)
FOR APPROVAL SIGNATURES
& RELEASE DATE.
PROJECT NO: ****

DESCRIPTION:

P 60 CACP, P60CACP-AL
DUPLEX CARPET PLATE

ORIGINAL PROJECT NO / ECN NO

003V001056 / ECN000083908

SHEET NO:

1 OF 1

REV. NO:

A

DRAWING NO:

WSD-002606

Thomas & Betts
A Member of the ABB Group