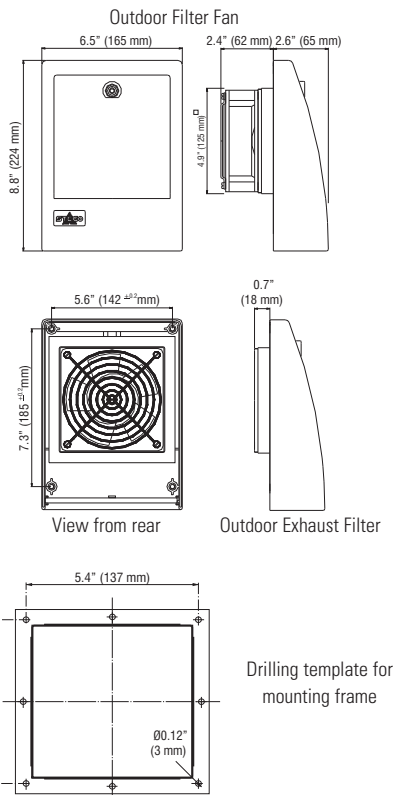




- Quick and easy filter change**
- Lockable outer door**
- Impact resistant**
- Weather proof and UV resistant**

This filter fan can be used in outdoor enclosures where warm air has to be dissipated. To clean and exchange the filter mat, it is only necessary to open the lockable door of the outdoor hood eliminating the need to allow interior access to the enclosure. A protection type of IP55 is achieved due to the special design of the hood and the use of fine filter mats. The plastic casing is impact resistant, highly weather proof and resistant to UV light.



Technical Data

Axial fan, ball bearing	service life min. 50,000h at 77°F (25°C) and 65% RH aluminum fan body, plastic rotor
Connection	2 wires w/ cage clamps, AWG 14 (2.5mm ²), length 4" (100mm)
Filter fan and exhaust filter housing	high impact ASA plastic, light grey burning behavior according to UL 94H-B; high resistance to weather and UV light
Mounting frame	with double-sided industrial adhesive for mounting to the outside of enclosure; certain operating circumstances may make the additional use of screws necessary; cut-out template included
Filter media rating	F5 acc. to DIN EN 779, filtering degree 98%
Filter material	synthetic fiber with progressive construction, temperature resistant to 212°F, self-extinguishing class F1; moisture resistant to 100% RH
Operating / Storage temperature	-49 to +158°F (-45 to +70°C)
Protection class	I (grounded)
Protection type	IP55

Note: EMC version and other voltages are available upon request

The hood is attached permanently to the enclosure from the inside using provided screws. Filter mats can be easily changed from outside the enclosure through the lockable door in the hood.

FF 018 Outdoor Filter Fan

Part No.	Operating voltage	Air volume, free blowing	Power consumption	Average noise level (DIN EN ISO 4871)	Mounting depth	Enclosure cut-out	Weight (approx.)	Approvals
01821.0-00	230VAC, 50Hz ¹⁾	12 cfm (20m ³ /h)	15W	40dB (A)	2.4" (62mm)	4.9 x 4.9"	2.6 lbs. (1.20kg)	UL File No. E234324
01821.0-02	120VAC, 60Hz	14 cfm (23m ³ /h)	15W	40dB (A)	2.4" (62mm)	4.9 x 4.9"	2.6 lbs. (1.20kg)	UL File No. E234324

¹⁾ air volume increases by 15% when operating 230VAC filter fans at 60Hz

EF 118 Exit Filter

Part No.	Mounting depth	Enclosure cut-out	Weight (approx.)	Filter mat	Protection type
11821.0-00	0.6" (16mm)	4.9 x 4.9"	1.6 lbs. (0.60kg)	F5 acc. to DIN EN 779, filtering degree 98%	IP55

FFM 086 Filter Mats

Filter mat	4.6 x 4.6" (118 x 118mm)
F5 (1 packing unit = 3 pcs.)	Part No. 08604.0-00

Specifications are subject to change without notice. Suitability of this product for its intended use and any associated risks must be determined by the end customer/ buyer in its final application.