

Features

480 Volt inputs and relay outputs eliminate the need for a control power transformer.

Bi-color LED indicates the energized load.

Compatible with single and dual float applications.

Debounce time delay prevents nuisance tripping caused by float switches.

Compact design saves precious panel space.



MotorSaver
SINGLE-PHASE ELECTRIC
MOTOR PROTECTOR

**Model
50R-400-ALT**

•
**Engineered
Protection**

•
**Microcontroller
Based**

Model 50R-400-ALT alternating relays are used to alternate between two loads, most commonly in duplex pumping and compressor applications to balance the runtime of both loads.

When used in single float applications, the alternating relay changes state after the float switch opens*, forcing the other pump to run the next time the float closes. When used in dual float applications, the alternating relay will allow both pumps to run simultaneously when the lead and lag floats are both closed.

An adjustment knob provides the option to force one pump to run every time the float switch is closed. This is helpful when one pump has been removed for repair or for test purposes.

A built-in debounce feature prevents the alternating relay from changing state if the float contact bounces momentarily.

* The alternating relay will not switch states while current is flowing. Switching will only occur after current has been sensed, followed by loss of current for the duration of the debounce time delay.

Additional features:

- UL listed
- Alternates between two loads
- Solid-state reliability
- Compact size
- Debounce time delay
- Compatible with single or dual float applications
- 600VAC control contacts
- 10 amp general purpose relay rating

MotorSaver®

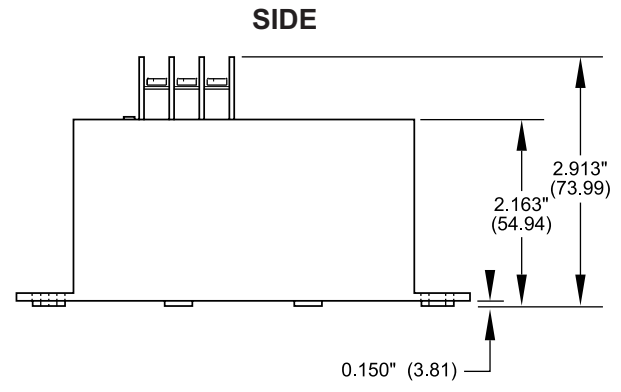
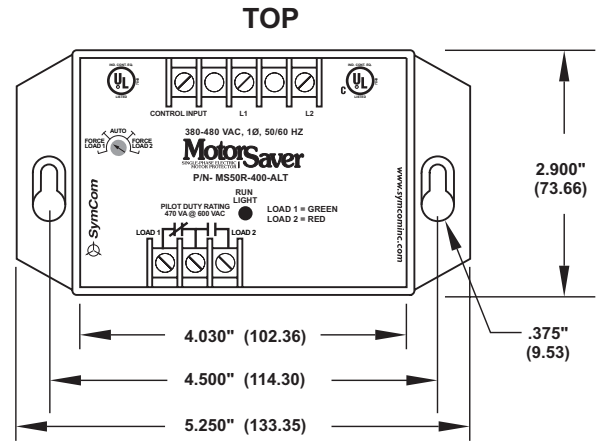
SINGLE-PHASE ELECTRIC MOTOR PROTECTOR

Model 50R-400-ALT

Specifications • Operating Points

Supply Voltage	432-528VAC
Supply Current	40mA
Control Input Impedance (min)	1MΩ
Contact Rating	470VA @ 600VAC
General Purpose Relay Rating	10A
Debounce Time Delay	1 second
Power Consumption	5 Watts (max)

SymCom warrants its microprocessor-based products against defects in material or workmanship for a period of five (5) years from the date of manufacture. All other products manufactured by SymCom shall be warranted against defects in material and workmanship for a period of two (2) years from the date of manufacture. For complete information on warranty, liability, terms, returns, and cancellations, please refer to the SymCom Terms and Conditions of Sale document.



WIRING DIAGRAM FOR MODEL 50R-400-ALT

