



Features:

- Single float input and two isolated Form C relay outputs (DPDT)
- Debounce time delay (1 second)
- LED load indicators
- Built-in switch to manually force a specific load (pump) to operate
- UL508 listed
- CE marked
- 11-pin plug in; DIN rail or surface mount
- 5-year warranty
- Made in the USA

Alternating relays are used to alternate between two loads and are commonly used in duplex pump-up and pump-down applications to balance the runtime of both pumps.

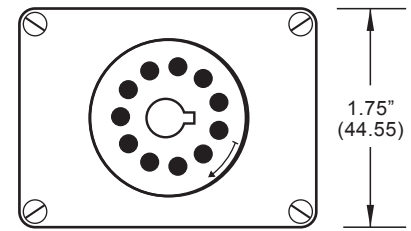
The ALT-xxx-1-SW alternating relays are 11-pin octal base plug-ins, available in two different single-phase voltage ranges. The ALT-100-1-SW is used for 95-120VAC applications and the ALT-200-1-SW is used for 190-240VAC applications. Both models are designed for a single float input and feature two isolated Form C relays (DPDT) outputs with two LEDs to indicate the energized load.

The ALT relays have a built-in debounce time delay that prevents the relay from changing state if the float momentarily bounces, and they have a built-in switch to manually force a specific load (pump) to operate each time the input float closes. This is helpful when performing periodic maintenance or pump repair.

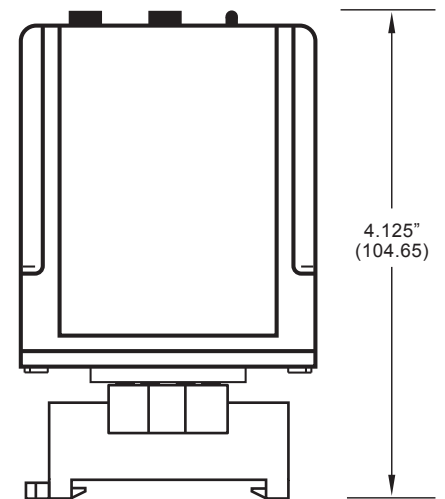
Specifications

Functional Characteristics	
Debounce Time Delay	1 second
Input Characteristics	
Supply Voltage ALT-100-1-SW ALT-200-1-SW	95-120VAC 190-240VAC
Frequency	50/60 Hz
Output Characteristics	
Output Contact Rating - DPDT Pilot Duty General Purpose	480VA @ 240VAC 10A @ 240VAC
General Characteristics	
Ambient Operating Temperature	-40° to 70° C (-40° to 158° F)
Maximum Input Power	5 W
Relative Humidity	10-95%, non-condensing per IEC 68-2-3
Terminal Torque	12 in.-lbs.
Wire Gauge	12-22 AWG Solid or stranded
Standards Passed	
Electrostatic Discharge (ESD)	IEC 61000-4-2, Level 3, 6kV contact, 8kV air
Radio Frequency Immunity (RFI), Radiated	150MHz, 10V/m
Fast Transient Burst	IEC 61000-4-4, Level 3, 3.5kV input power and controls
Surge Immunity	
IEC	IEC 61000-4-5, Level 3, 4kV line-to-line; Level 4, 4kV line-to-ground
ANSI/IEEE	C62.41 Surge and Ring Wave Compliance to a level of 6kV line-to-line
Hi-potential Test	Meets UL508 (2 x rated V + 1000V for 1 minute)
Safety Marks	
UL listed (OT11 octal socket required)	UL508 (File #E68520)
CE	IEC 60947-6-2
Dimensions	2.330" H x 2.375" W x 4.125" D (with socket)
Weight	9 oz.
Mounting Method	Plugs into 11-Pin OT11 Socket; DIN Rail or surface mount

Enclosure Dimensions



BOTTOM



**SIDE
WITH OT11* SOCKET**

How to order:

Part Number: ALT-100-1-SW
ALT-200-1-SW

Auxiliary Products:
OT11-PC (11-pin octal socket)



(605) 348.5580 / (800) 843.8848 / Fax (605) 348.5685
customerservice@symcom.com / technicalsupport@symcom.com