



Features:

- Compatible with all 777 Series units as well as 77C and 601 units
- Self-powered from 777 type product it connects to
- Terminals for a remote reset (N/O push button)
- Removable quick disconnect plugs for easier installation
- UL listed
- CSA approved
- CE compliant
- 5-year warranty
- Made in the USA

The RS485MS-2W communications module is a convenient and cost-effective two-wire Modbus/RTU interface capable of providing remote control and monitoring of a 777 Plus Series overload relay/power monitor over a Modbus network. The Model RS485MS-2W communications module serves two very important functions. Its primary function, from a communications network view, is to electrically isolate the communications network from the high voltages present in SymCom's units and it converts the communications signals from the microprocessor's 5-volt levels into RS-485 levels. A third function of the RS485MS-2W is to provide power to the RM-1000 remote monitor (when utilized).

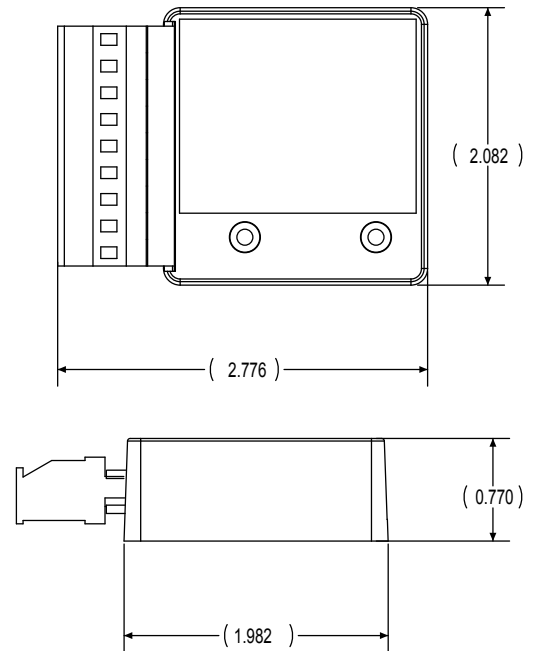
The RS485MS-2W also provides the capability to attach a remote reset. A N/O push button type reset can be mounted on a panel door to eliminate the need to open the panel door for a manual reset, thereby avoiding a potential arc flash.

The RS485MS-2W does not support four-wire communications systems.

Specifications

Functional Specifications	
Remote Reset (for use with optional 777 Plus Series)	Normally open pushbutton rated 24VDC, 10mA (min.)
General Characteristics	
Operating Temperature Ambient Operating	-20° to 50°C (-4° to 122°F)
Terminal (depluggable terminal block)	
Torque	4 in.-lbs. (max.)
Wire AWG	12-20 AWG
Class of Protection	IP20
Relative Humidity	10-95%, non-condensing per IEC 68-2-3
Standards Passed	
Electrostatic Discharge (ESD)	IEC 61000-4-2, Level 3, 6kV contact, 8kV air
Radio Frequency Immunity, Radiated	150 MHz, 10V/m
Fast Transient Burst	IEC 61000-4-4, Level 3, 4kV input power
Hi-Potential Test	Meets UL508 (2 x rated V + 1000V for 1 minute)
Surge	
Input Power	IEC 61000-4-5, Level 1
Inputs/Data Lines	IEC 61000-4-5, Level 2
Safety Marks	
UL	UL508 (#E68520)
CE	IEC 60947
Enclosure	Polycarbonate
Dimensions	2.08"H x 2.776"W x 0.77"D
Weight	1.6 oz.
Mounting Method	#8 screws; mount to side of 777-type products

Enclosure Dimensions



How to order:

Part Number: RS485MS-2W