

Intrinsically-Safe Latching Controller

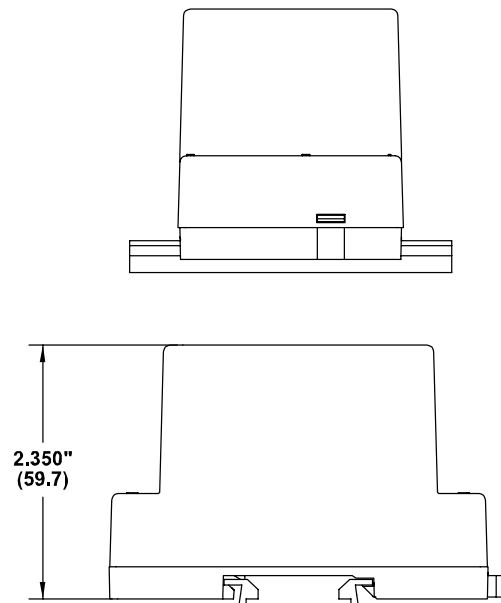
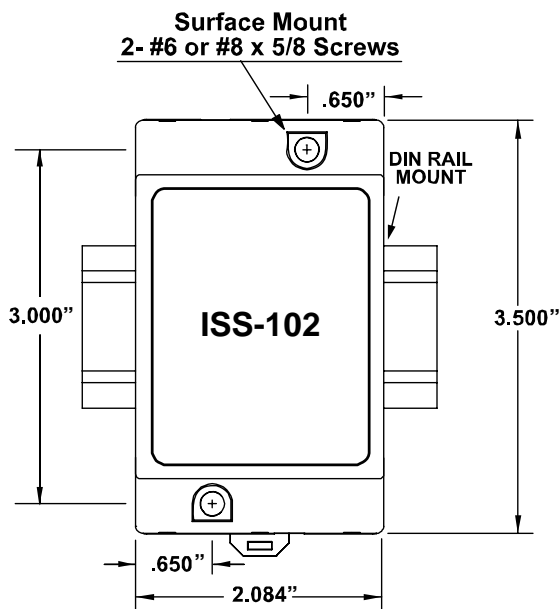
Model ISS-102A-LC



SymCom's ISS-102A-LC (Latching Controller) is a dual-input, single output (form A), pump controller with latching/differential logic. Both input channels are compatible with switches (float, pressure, etc.) and resistive probes (fixed 100k Ω threshold).

Each input channel is "active" when the corresponding switch is closed (or low resistance is detected, if using probes). When the LAG input (CH2) is activated, the output contact closes. Following latching/differential logic, the output contact remains closed until both the LEAD (CH1) and LAG (CH2) inputs are deactivated.

The green RUN LED illuminates when the output relay is energized.



www.SymCom.com
... your electronic control & protection specialists

orders@symcom.com / customerservice@symcom.com
(605) 348.5580 / (800) 843.8848 / Fax (605) 348.5685

Specifications

Functional Specifications:	
Entity Parameters:	Voc = 16.8V Ca = 0.39µF Isc = 1.2mA Po = $\frac{Voc * Isc}{4}$ La = 100mH
Hazardous Locations	Class I, Division I & II, Group A, B, C & D; Class II, Division I & II, Group E, F& G; Class III locations
Adjustments/Settings	
Sensitivity (for resistive probes)	100kΩ fixed
Mode	Differential/Latching
Debounce Time Delay	2 seconds
Input Characteristics:	
Supply Voltage:	120VAC nominal
Frequency:	50/60 Hz
Output Characteristics:	
Relay Output Rating:	
Form A	5Amps @ 120VAC General Purpose Pilot Duty 180VA @ 120VAC, C150
LED (green)	Output Relay Status Indicator
General Characteristics:	
Operating Temperature:	-20 to 55° C
Terminals:	
Wire Size	12-20 AWG
Torque	6 in.-lbs. (max.)
Standards Passed:	
Electrostatic Discharge (ESD)	IEC 61000-4-2, Level 3, 6 kV contact, 8 kV air
Radio Frequency Immunity (RFI)	IEC 61000-4-2, Level 3, 10V/m
Fast Transients	IEC 61000-4-4, Level 3, 4 kV power terminals, 2kV input/output terminals
Safety Marks:	
UL	UL913 (File #E233355)
Dimensions:	(LxWxD) 3.5" x 2.1" x 2.5"
Weight:	8 oz.
Mounting Methods:	35 mm DIN rail or Surface Mount (#6 or #8 screws)

How to order:

Part Number: ISS-102A-LC



www.SymCom.com
... your electronic control & protection specialists

orders@symcom.com / customerservice@symcom.com
(605) 348.5580 / (800) 843.8848 / Fax (605) 348.5685