



### Features:

- One unit serves pump-up and pump-down applications
- Adjustable sensitivity knob (4.7k to 100k ohms)
- Debounce time delay (2 seconds)
- Single or dual probe inputs (+ common reference)
- Compatible with Gems' Series 16M general purpose control
- LED indicator
- UL508 listed
- CE marked
- 8-pin plug in; DIN rail or surface mount
- 5-year warranty
- Made in the USA

The PC-xxx-LLC-GM is a liquid level control relay used to control conductive liquid pumping operations in a pump-up or pump-down application. The unit comes in two different voltage ranges. The model PC-100-LLC-GM is for 95-120VAC applications and the model PC-200-LLC-GM is for 190-240VAC applications.

The unit has an adjustable sensitivity knob (4.7k to 100k ohms) that is set according to the resistance level at which you want the probes (sold separately) to sense the conductive liquid. The unit has a built-in debounce time delay that prevents the relay from energizing if the probe resistance momentarily goes above or below the sensitivity setpoint (due to liquid splashing in the tank).

The unit operates its internal relay based on inputs from a high and low probe and a common reference (when a conductive tank is used) or common probe (when a non-conductive tank is used).

Pump-up application: when the liquid level drops and the low probe resistance increases above the sensitivity setpoint, the relay energizes to run the pump and fill the tank. When the liquid level rises and the high probe resistance decreases below the sensitivity setpoint, the relay de-energizes to stop the pump.

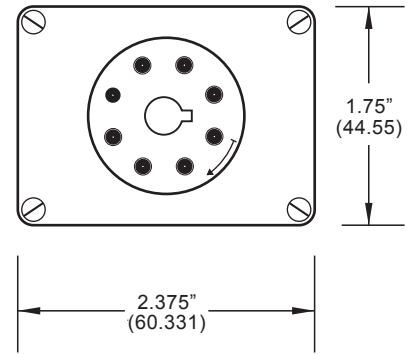
Pump-down application: when the liquid level rises and the high probe resistance decreases below the sensitivity setpoint, the relay energizes to run the pump and empty the tank. When the liquid level drops and the low probe resistance increases above the sensitivity setpoint, the relay de-energizes to stop the pump.

The unit can also be configured to work with a single probe input and a common reference (or common probe).

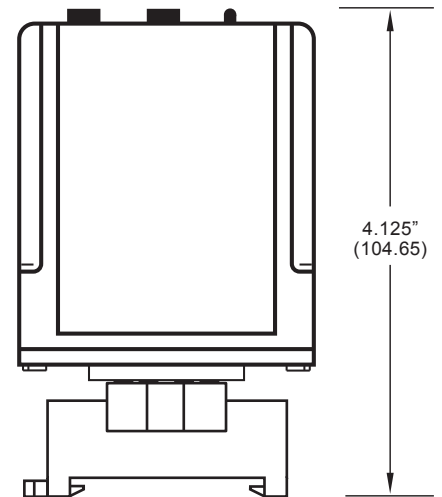
## Specifications

Functional Characteristics	
Debounce Time Delay	2 second
Probe Sensitivity	4.7k to 100k Adjustable
Input Characteristics	
Supply Voltage PC-100-LLC-GM PC-200-LLC-GM	95-120VAC 190-240VAC
Frequency	50/60 Hz (note: 50Hz will increase all delay timers by 20%)
Probe Sense Voltage	5vdc pulsed
Output Characteristics	
Output Contact Rating Pilot Duty General Purpose	480VA @ 240VAC 10A @ 240VAC
General Characteristics	
Ambient Operating Temperature	-40° to 70° C (-40° to 158° F)
Maximum Input Power	5 W
Relative Humidity	10-95%, non-condensing per IEC 68-2-3
Terminal Torque	12 in.-lbs.
Wire Gauge	12-22 AWG Solid or stranded
Standards Passed	
Electrostatic Discharge (ESD)	IEC 61000-4-2, Level 3, 6kV contact, 8kV air
Radio Frequency Immunity (RFI), Radiated	150MHz, 10V/m
Fast Transient Burst	IEC 61000-4-4, Level 3, 2 kV input power and controls
Surge Immunity	
IEC	IEC 61000-4-5, Level 4, 4kV line-to-line; Level 4, 4kV line-to-ground; Level 2, 1kV probe inputs-to-ground
ANSI/IEEE	C62.41 Surge and Ring Wave Compliance to a level of 6kV line-to-line
Hi-potential Test	Meets UL508 (2 x rated V + 1000V for 1 minute)
Safety Marks	
UL listed (OT08 octal socket required)	UL508 (File #E68520)
CE	IEC 60947-6-2
Dimensions	1.750" H x 2.375" W x 4.125" D (with socket)
Weight	9 oz.
Enclosure	Polycarbonate
Mounting Method	Plugs into 8-Pin OT08 Socket; DIN Rail or surface mount

## Enclosure Dimensions



**BOTTOM**



**SIDE  
WITH OT08\* SOCKET**

\*The OT08 octal socket is 35mm DIN rail compatible. The use of an OT08 octal socket is required to qualify as a UL listed device.

## How to order:

Part Number: PC-100-LLC-GM  
PC-200-LLC-GM

Auxiliary Products:  
OT08-PC (8-pin octal socket)



(605) 348.5580 / (800) 843.8848 / Fax (605) 348.5685  
customerservice@symcom.com / technicalsupport@symcom.com