



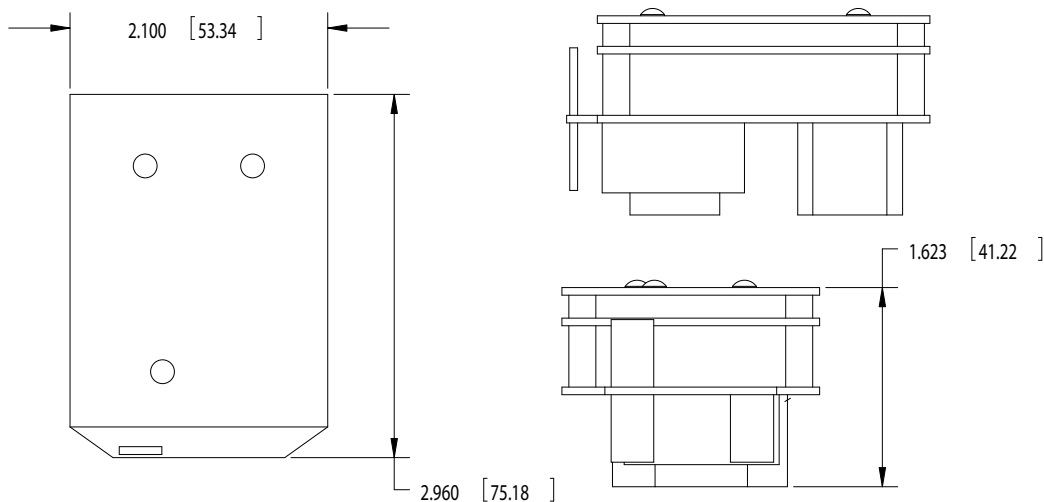
Picture may not be representative of actual product.

SymCom's Model 231-Insider-P single-phase PumpSaver®Plus fits inside 1/3, 1/2, 3/4, and 1hp 230V control boxes and is designed to protect single-phase pumps from dry-well, dead-head, jammed impeller, rapid-cycle, overvoltage, and undervoltage conditions.

A calibration adjustment allows the Insider-P to be calibrated to specific pumping applications, thereby reducing the possibility of false or nuisance tripping. A unique microcontroller-based voltage and current-sensing algorithm constantly monitors the incoming power for fluctuations. When an abnormality, such as a loss of load is detected, the PumpSaver®Plus deactivates its output relay directly disconnecting the pump motor. The PumpSaver®Plus then begins its user-selectable restart delay (dry-well recovery) timer. When the timer counts down to zero or power is removed and reapplied, the PumpSaver®Plus reactivates its output relay, allowing the pump to turn back on.

The 231-Insider-P communicates with a hand-held diagnostics tool called the Informer (sold separately). The Informer displays 15 parameters including calibration points, trip points, running points, and last faults. An IR Kit-12 (12" fiber optic kit) is included with each 231-Insider-P, allowing the Informer to access these parameters even when the 231-Insider-P is enclosed in a control box. This is valuable for troubleshooting the pump while it is running.

NOTE: The PumpSaver®Plus models have a sensitivity adjustment for the dry-well trip point. After calibration is done, you can adjust the sensitivity for the dry-well/dead-head trip point from 70-90% of the full load. This makes the unit even more adaptable to varying pumping applications. If you have a very low producing well, you increase the sensitivity closer to the 90% mark, or if you have a very heavy producing well, you would decrease the sensitivity around the 70% mark.



Specifications

Functional Specifications	
Adjustments/Settings	
Overcurrent	125% of calibration point
Underload (dry-well)	Adjustable (70 to 90% of calibrated run power)
Overvoltage	265VAC
Undervoltage	190VAC
Number of restarts allowed in a 60-sec. period (rapid-cycling)	4
Trip Delay Times	
Overcurrent	5 seconds
Dry-well	4 seconds
Restart Delay Times	
Over/undervoltage	2 seconds
All other faults	Manual, 2-225 minutes
Input Characteristics	
Supply Voltage	230VAC
Load Range	1/3 - 1 hp
Frequency	50/60Hz (Note: 50Hz will increase all delay timers by 20%)
Output Characteristics	
Output Contact Rating-SPST	1hp @ 240VAC (17 amps max.)
General Characteristics	
Operating Temperature	-40° to 55° C (-40° to 131° F)
Maximum Input Power	5 W
Standards Passed	
Electrostatic Discharge (ESD)	IEC 61000-4-2, Level 2, 4kV contact, 6kV air
Surge Immunity	IEC 61000-4-5, Level 4, 4kV line-to-line and line-to-ground
Safety Marks	
cUR*	UL508, C22.2 No. 14
Weight	10 oz.
Mounting Methods	Inside a Franklin™, Pentek™, or CentriPro™ control box

* The 231-Insider-P is approved by UL for use in the Franklin™, Pentek™ and CentriPro™ type 3R control boxes when installed properly. It is not intended to provide overload protection and should be used with thermally or impedance protected motors only.

How to order:

Part Number: 231-Insider-P



(605) 348.5580 / (800) 843.8848 / Fax (605) 348.5685
 customerservice@symcom.com / technicalsupport@symcom.com