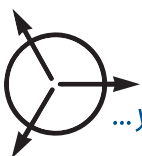
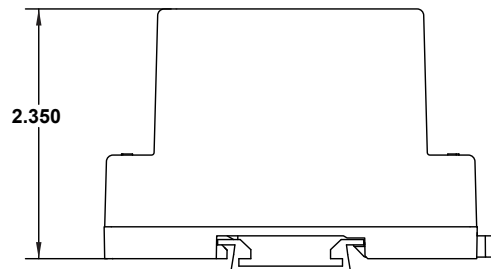
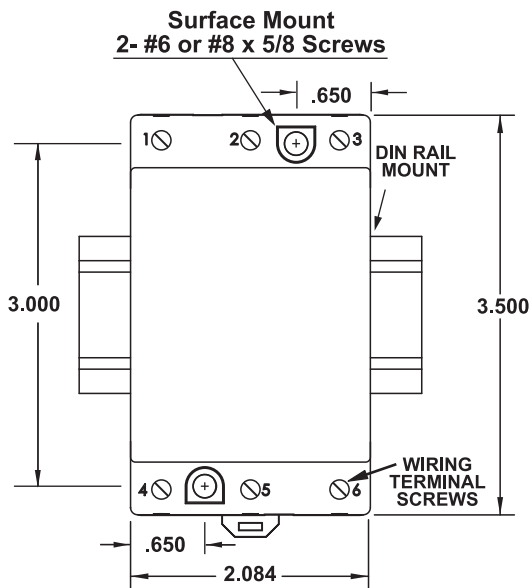


Seal Leak Detector

Model 460-15-100-SLD



The PumpSaver® 460-15-100-SLD is a seal leak detector to sense seal failures on submersible pumps. As water leaks into the motor, the resistance measured by the probe decreases. When the resistance drops below the sensitivity control level, the unit will trip and the relay contacts will change state.



www.SymCom.com
...your electronic control & protection specialists

orders@symcom.com / customerservice@symcom.com
(605) 348.5580 / (800) 843.8848 / Fax (605) 348.5685

Specifications

| | |
|---|---|
| Functional Specifications: | |
| Sensitivity: | 4.7-100k Ω |
| Input Characteristics: | |
| Supply Voltage: Frequency: | 110/120VAC nominal 50/60Hz |
| Output Characteristics | |
| Output Contact Rating-DPST: | 360VA@240VAC Pilot Duty 8A@240VAC General Purpose |
| General Characteristics: | |
| Operating Temperature: Ambient Operating: Ambient Storage: Power Consumption: Relative Humidity: Terminals: Wire Size Torque Standards Passed: Electrostatic Discharge (ESD) Radio Frequency Immunity (RFI) Fast Transients Surge: IEC ANSI/IEEE Hi-Potential Test Class of Protection: Safety Marks: UL Dimensions Weight Mounting Methods: | -20° to 70°C (-4° to 158° F) -40° to 80°C (-40° to 176° F) 2 Watts (max.) 10-95%, non-condensing per IEC 68-2-3 12-20AWG 6 in.-lbs. IEC 100-4-2, Level 3, 6kV contact, 8kV air 159 MHz, 10V/m IEC 1000-4-4, Level 3, 3.5kV input power and controls IEC 1000-4-5, Level 3, 4kV line-to-line; Level 4, 4kV line-to-ground C62.41 Surge and Ring Wave Compliance to a level of 6kV line-to-line Meets UL508 (2 x rated V + 1000 V for 1 minute) IP20, NEMA 1 (finger safe) UL508 3.5" L x 2.084" W x 2.35" H 1 lb. (max.) 35 mm DIN rail or Surface Mount (#6 or #8 screws) |

How to order:

Part Number: 460-15-100-SLD