

Single-Phase Voltage Monitor

Model 201-XXX-SP



Features:

- Low voltage protection
- Low & high voltage protection model available
- Diagnostic LED
- UL508 listed
- CE Marked
- 8-pin plug in; DIN rail or surface mount
- 5-year warranty
- Made in USA

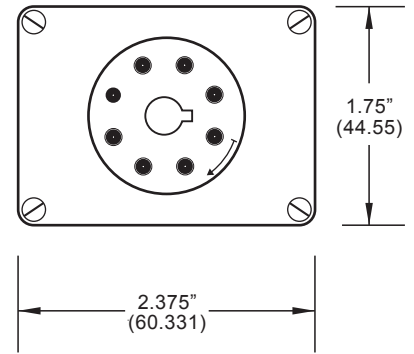
The Model 201-xxx-SP is an 8-pin octal base plug-in voltage monitor designed to protect single-phase motors regardless of size. It can be used on 95-120VAC (201-100-SP) or 190-240VAC (201-200-SP) motors to prevent damage caused by low voltage. High voltage detection is included on the 201-200-SP-T-9 model.

The unique microcontroller-based voltage and voltage-sensing circuit constantly monitors the voltage to detect harmful power line conditions. When a harmful condition is detected, the MotorSaver's output relay is deactivated after a specified trip delay. The output relay reactivates after power line conditions return to an acceptable level and a specified amount of time has elapsed (restart delay). The trip delay prevents nuisance tripping due to rapidly fluctuating power line conditions.

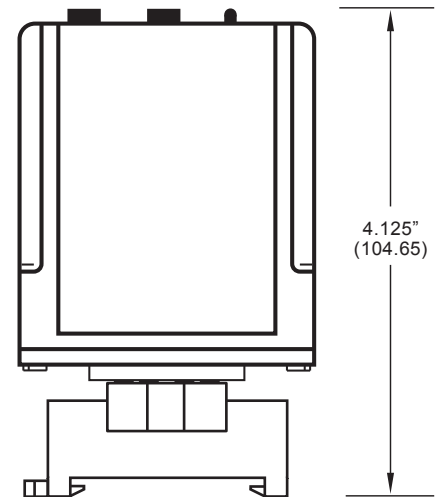
Specifications

Functional Specifications	
Low Voltage (% of setpoint)	
Trip	90%
Reset	93%
High Voltage	
Trip (% of setpoint)	110% (-9 unit only)
Reset (% of setpoint)	107% (-9 unit only)
Trip Delay Time	
Low Voltage	4 seconds
High Voltage	4 seconds (-9 unit only)
Restart Delay Time	
After a fault or complete power loss	2 seconds
Input Characteristics	
Supply Voltage	
201-100-SP	95-120VAC
201-200-SP	190-240VAC
201-200-SP-T-9	190-240VAC
Frequency	50/60Hz (note: 50Hz will increase all delay timers by 20%)
Output Characteristics	
Output Contact Rating-SPDT	
Pilot Duty	480VA@240VAC
General Purpose	10A@240VAC
General Characteristics	
Ambients Operating Temperature	-40° to 70° C (-40° to 158° F)
Maximum Input Power	5 W
Relative Humidity	10-95%, non-condensing per IEC 68-2-3
Terminal Torque	12 in.-lb.
Wire Gauge	12-22 AWG Solid or stranded
Standards Passed	
Electrostatic Discharge (ESD)	IEC 61000-4-2, Level 3, 6kV contact, 8kV air
Radio Frequency Immunity (RFI), Radiated	150MHz, 10V/m
Fast Transient Burst	IEC 61000-4-4, Level 3, 3.5 kV input power and controls
Surge Immunity	
IEC	IEC 61000-4-5, Level 3, 4kV line-to-line; Level 4, 4kV line-to-ground
ANSI/IEEE	C62.41 Surge and Ring Wave Compliance to a level of 6kV line-to-line
Hi-potential Test	Meets UL508 (2 x rated V + 1000V for 1 minute)
Safety Marks	
UL Listed (OT08 octal socket required)	UL508 (File #E68520)
CE	IEC 60947-6-2
Dimensions	1.75" H x 2.375" W x 4.125" D (with socket)
Weight	9 oz.
Enclosure	Polycarbonate
Mounting Methods	Plugs into 8-Pin OT08 Socket; DIN rail or surface mount

Enclosure Dimensions



BOTTOM



**SIDE
WITH OT08* SOCKET**

How to order:

Part Number: 201-100-SP
201-200-SP
201-200-SP-T-9

Auxiliary Products:
CT-OT08-PC (8-pin octal socket)



www.SymCom.com

...your electronic control & protection specialists

(605) 348.5580 / (800) 843.8848 / Fax (605) 348.5685
customerservice@symcom.com / technicalsupport@symcom.com