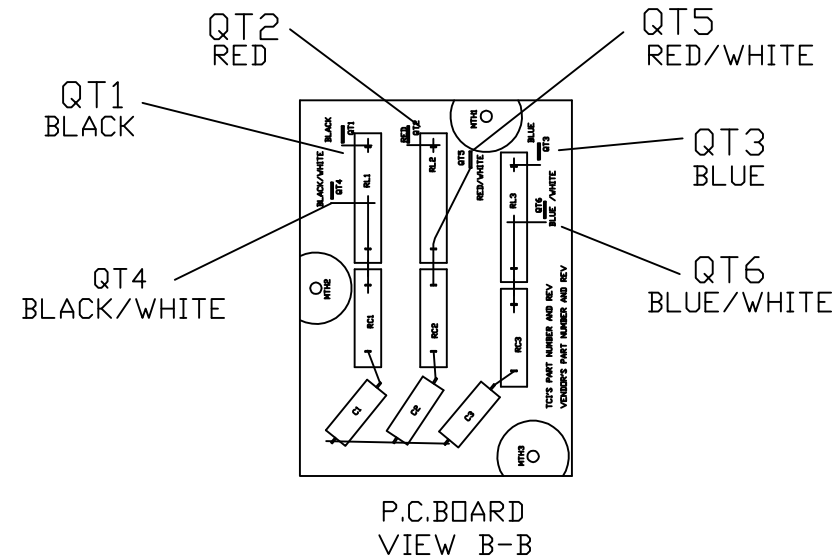
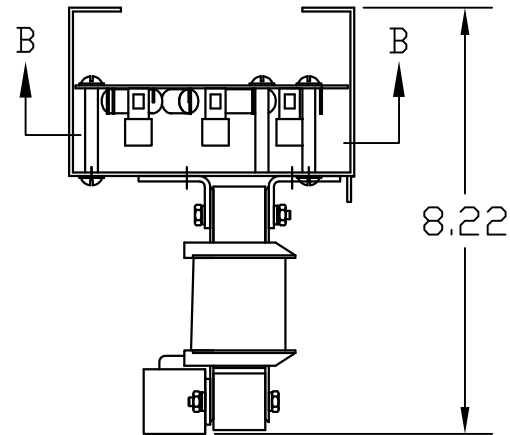
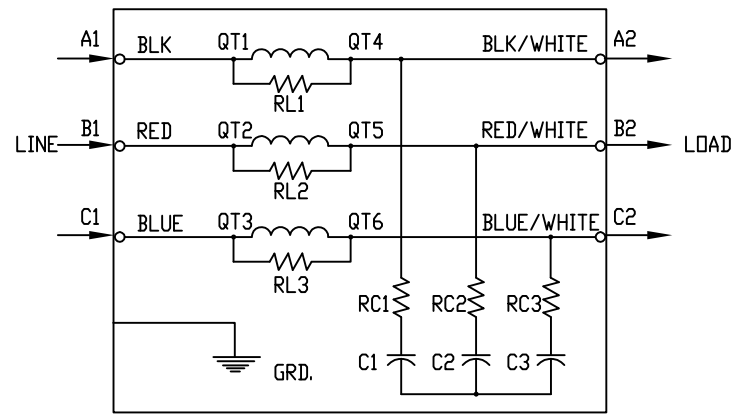
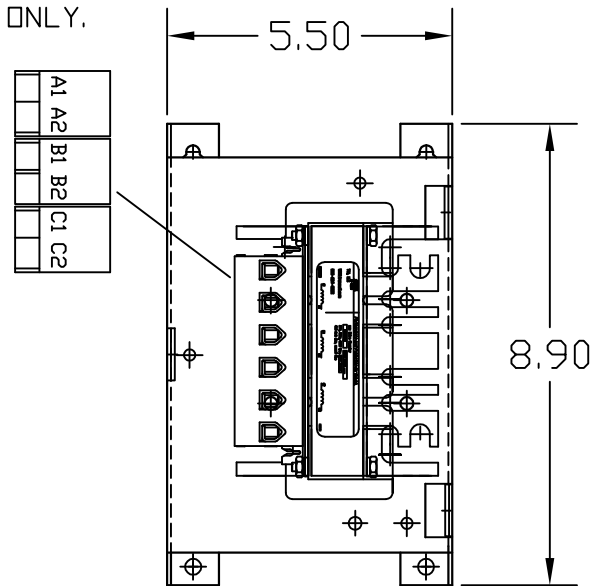
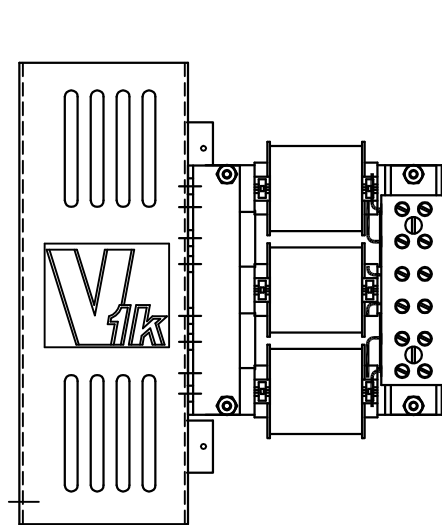


"SEE V1K INSTALLATION GUIDE FOR TERMINAL WIRE SIZE AND TORQUE"

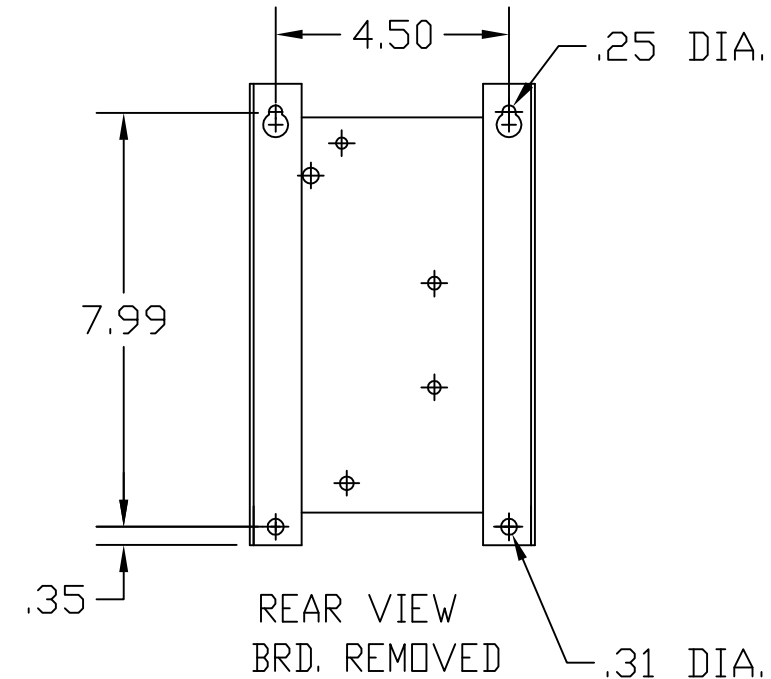
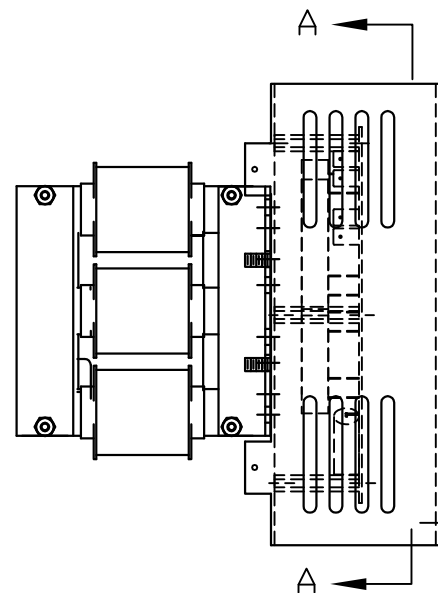


SPECIFICATIONS:	
AMP.	18
VOLT	240-600
PHASE	3
HZ	60
WEIGHT, LBS.	12
OPEN VERSION	

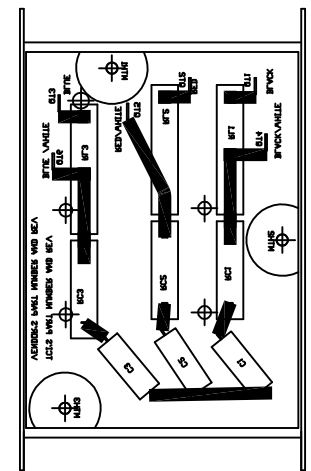
MARKINGS ON TERMINAL BLOCK  
A1,A2,B1,B2,C1,C2 FOR REFERENCE ONLY.



FRONT VIEW



REAR VIEW  
BRD. REMOVED



SECTION A-A

TOLERANCE UNLESS OTHERWISE NOTED:	
MOUNTING	+/- .06
OVERALL	+/- .12

CUSTOMER IS RESPONSIBLE FOR INSTALLATION TO MEET ALL NATIONAL AND LOCAL ELECTRICAL CODES.

TCI, LLC CLAIMS PROPRIETARY RIGHTS IN THE MATERIAL HEREIN DISCLOSED. IT IS SUPPLIED WITHOUT PREJUDICE TO ANY PATENT RIGHTS OF TCI AND MAY NOT BE REPRODUCED OR USED TO MANUFACTURE ANYTHING SHOWN THEREIN WITHOUT WRITTEN PERMISSION FROM TCI.				TOLERANCES (EXCEPT AS NOTED): DECIMAL	<b>TCI</b> W132 N10611 GRANT DRIVE GERMANTOWN, WI 53022
				.XX ± .03 .XXX ± .01	
				FRACTIONAL	V1K18A00, OUTPUT FILTER 18 AMP, OPEN VERSION
				± 1/32	
	3216 ADD SEE GUIDE	12/6/2014	DSW	ANGULAR	DRN BY: RJC DATE: 6/20/05 DWG. NO: 102724DG
	NO REVISION			± 1/2°	SCALE: NONE SIZE: B SHT. 1 OF 1