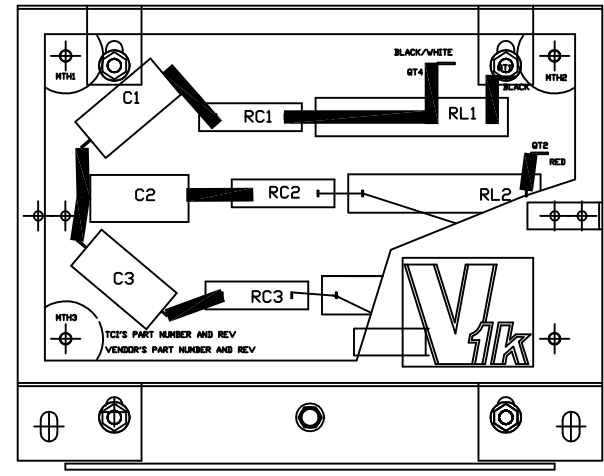
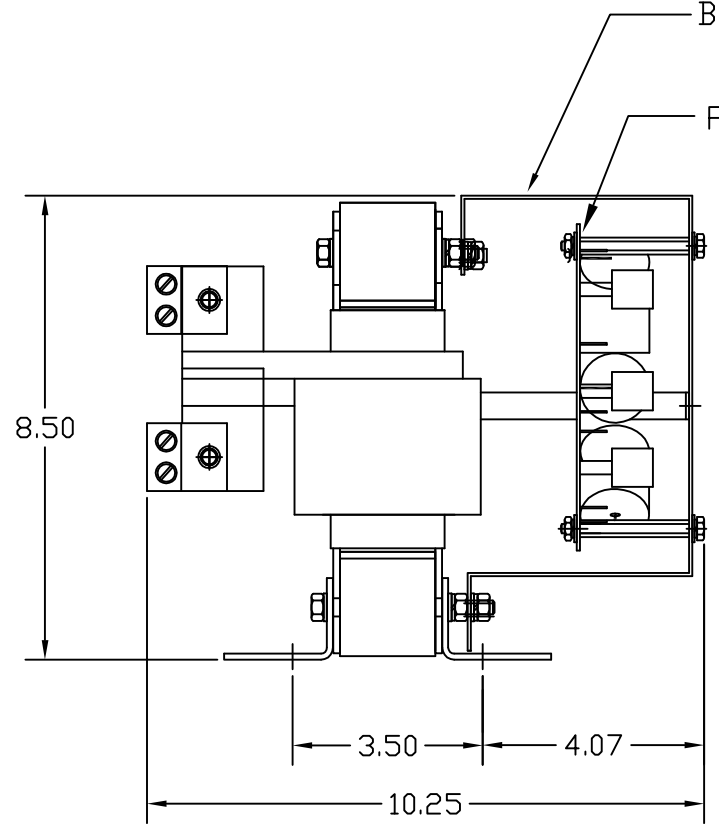
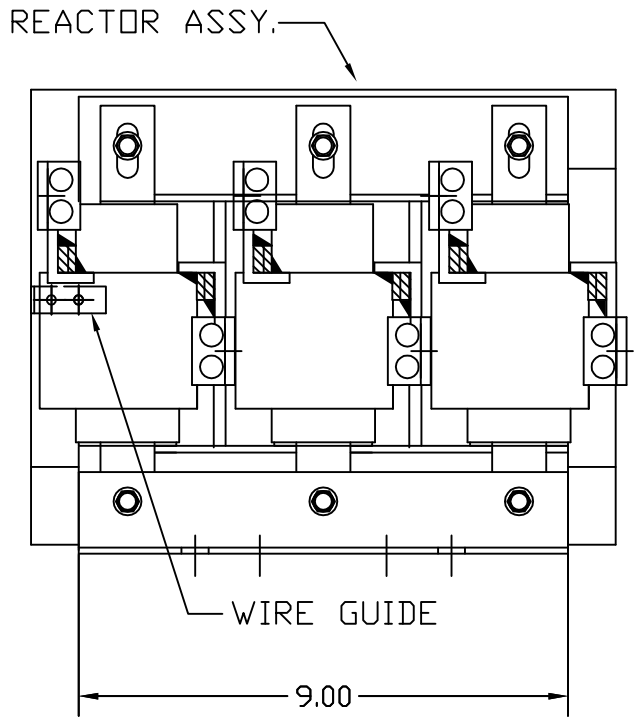
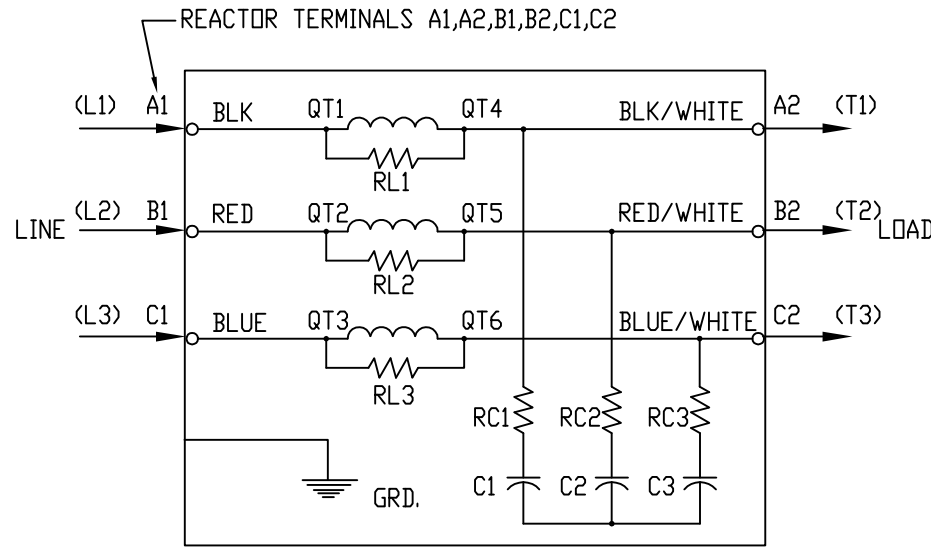


SPECIFICATIONS:	
AMP.	250
VOLT	240-600
PHASE	3
HZ	60
WEIGHT, LBS.	65
OPEN VERSION	



REACTOR AND BOARD ASSEMBLY CONNECTIONS

TOLERANCE UNLESS OTHERWISE NOTED:  
MOUNTING +/- .06  
OVERALL +/- .12

REAR VIEW

"SEE V1K INSTALLATION GUIDE FOR TERMINAL WIRE SIZE AND TORQUE"

CUSTOMER IS RESPONSIBLE FOR INSTALLATION TO MEET ALL NATIONAL AND LOCAL ELECTRICAL CODES.

TCl, LLC CLAIMS PROPRIETARY RIGHTS IN THE MATERIAL HEREIN DISCLOSED. IT IS SUPPLIED WITHOUT PREDJUDICE TO ANY PATENT RIGHTS OF TCl AND MAY NOT BE REPRODUCED OR USED TO MANUFACTURE ANYTHING SHOWN THEREIN WITHOUT WRITTEN PERMISSION FROM TCl.

NO	3216 ADD SEE GUIDE	10/29/14	DSW
NO	REVISION	DATE	BY

TOLERANCES (EXCEPT AS NOTED)
DECIMAL
.XX ± .03
.XXX ± .01
FRACTIONAL
± 1/32
ANGULAR
± 1/2°

**TCl** W132 N10611 GRANT DRIVE GERMANTOWN, WI 53022

V1K250A00, OUTPUT FILTER  
250 AMP, OPEN VERSION

DRN. BY	RJC	DATE	5/20/05	DWG. NO.	102654DG
SCALE	NONE	SIZE	B	SHT.1 OF1	