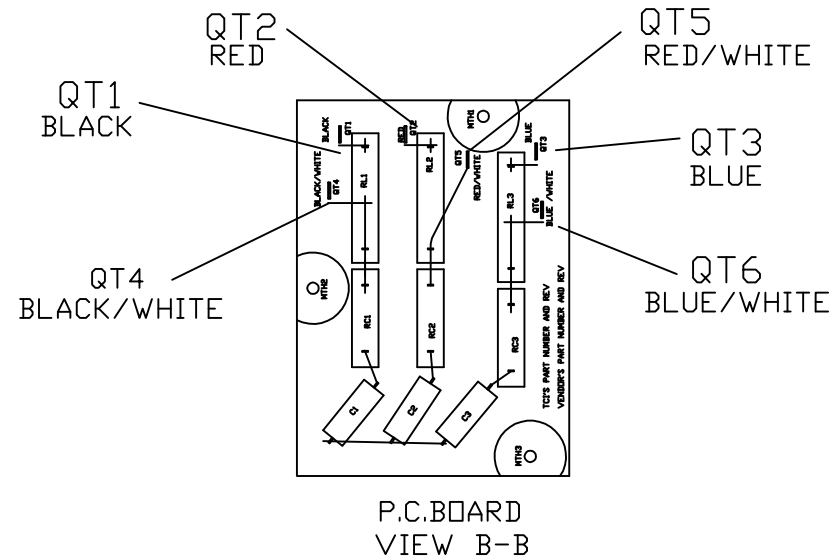
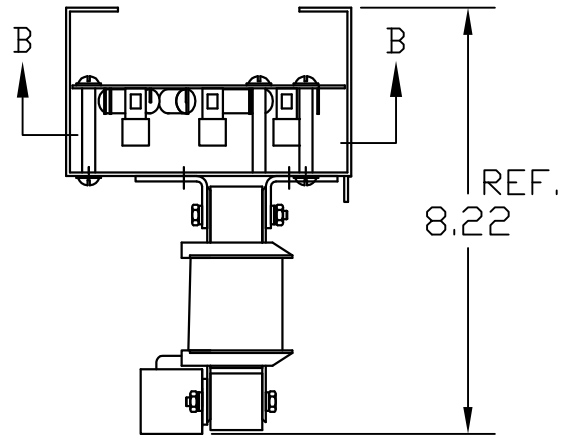
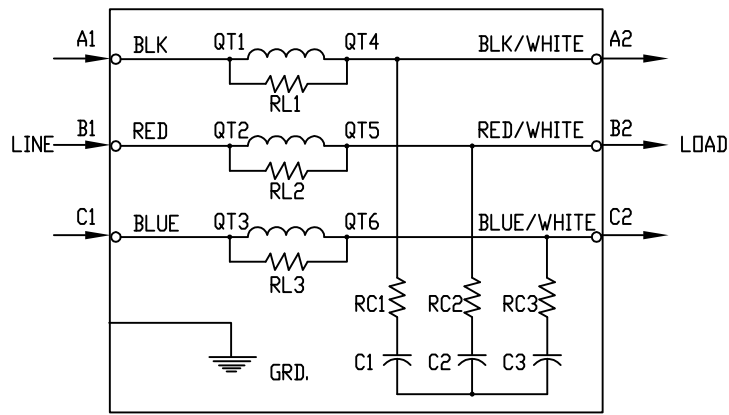
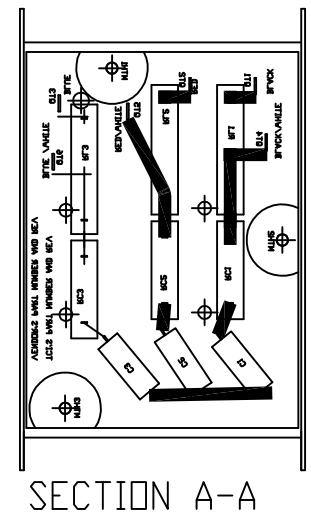
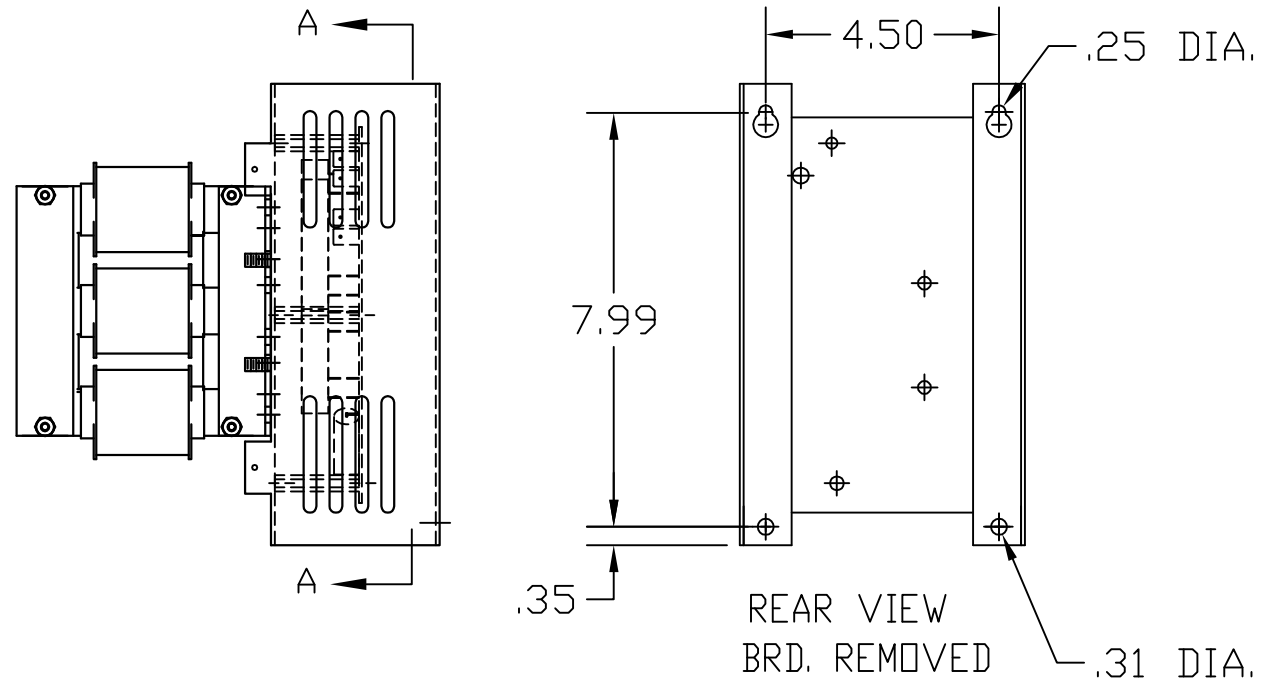
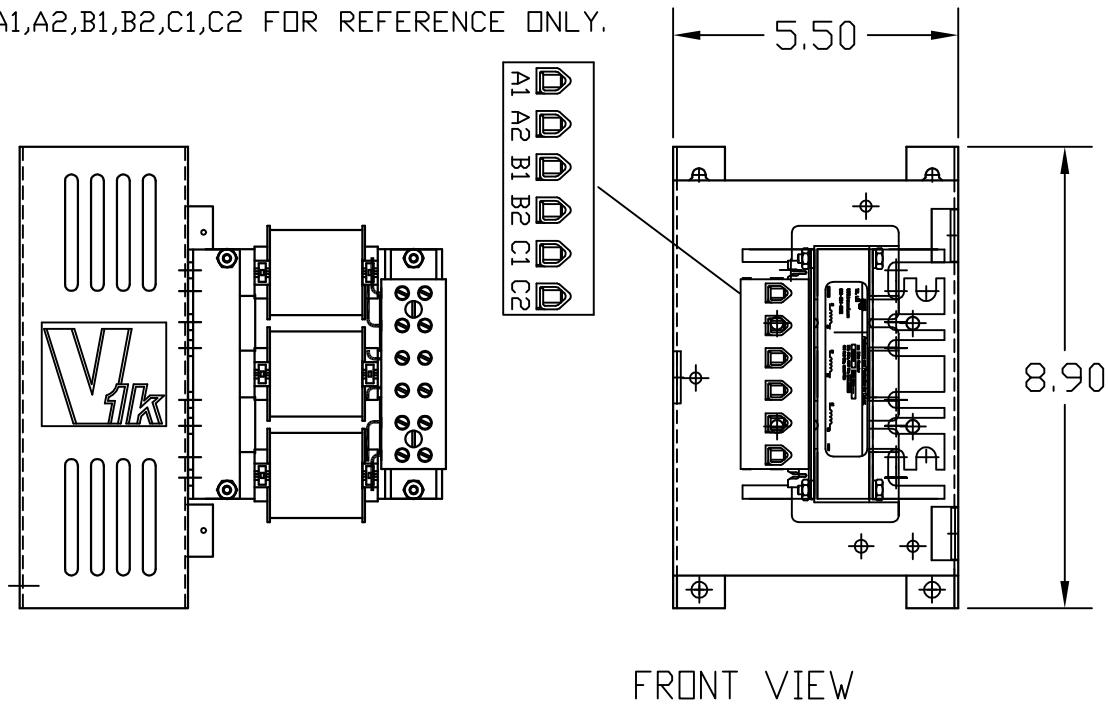


"SEE V1K INSTALLATION GUIDE FOR TERMINAL WIRE SIZE AND TORQUE"



SPECIFICATIONS:	
AMP.	25
VOLT	240-600
PHASE	3
HZ	60
WEIGHT, LBS.	12
OPEN VERSION	

MARKINGS ON TERMINAL BLOCK  
A1,A2,B1,B2,C1,C2 FOR REFERENCE ONLY.



TOLERANCE UNLESS OTHERWISE NOTED:	
MOUNTING	+/- .06
OVERALL	+/- .12

CUSTOMER IS RESPONSIBLE FOR INSTALLATION TO MEET ALL NATIONAL AND LOCAL ELECTRICAL CODES.

TCI, LLC CLAIMS PROPRIETARY RIGHTS IN THE MATERIAL HEREIN DISCLOSED. IT IS SUPPLIED WITHOUT PREJUDICE TO ANY PATENT RIGHTS OF TCI AND MAY NOT BE REPRODUCED OR USED TO MANUFACTURE ANYTHING SHOWN THEREIN WITHOUT WRITTEN PERMISSION FROM TCI.				TOLERANCES (EXCEPT AS NOTED): DECIMAL	<b>TCI</b> W132 N10611 GRANT DRIVE GERMANTOWN, WI 53022
				.XX ± .03 .XXX ± .01	
				FRACTIONAL	V1K25A00, OUTPUT FILTER 25 AMP, OPEN VERSION
				± 1/32	
	3216 ADD SEE GUIDE	12/6/2014	DSW	ANGULAR	DRN BY: RJC DATE: 2/1/05 DWG. NO: 102317DG
	NO REVISION	DATE	BY	± 1/2°	SCALE: NONE SIZE: B SHT. 1 OF 1