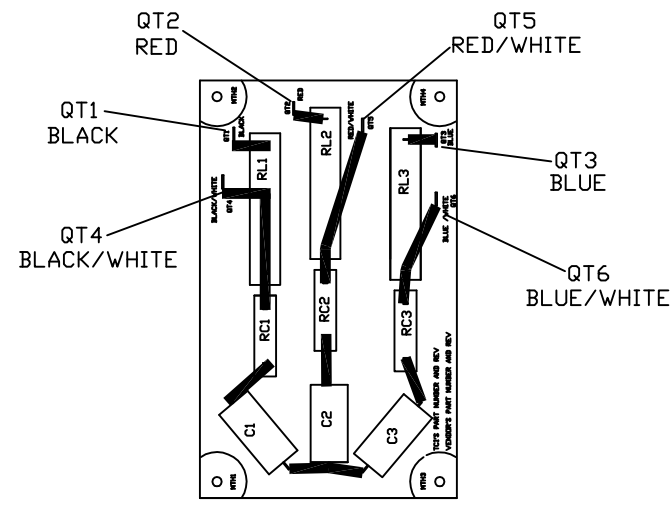
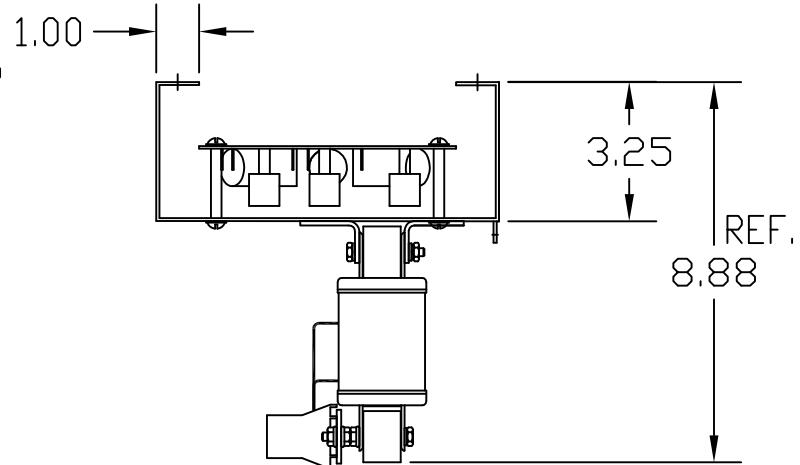
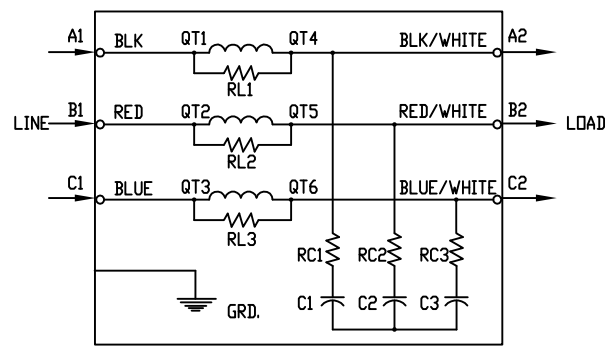
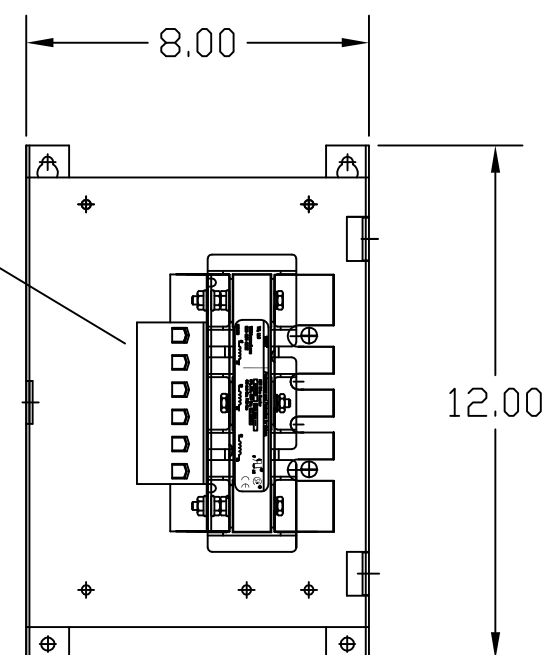
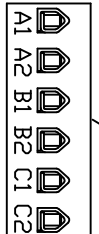
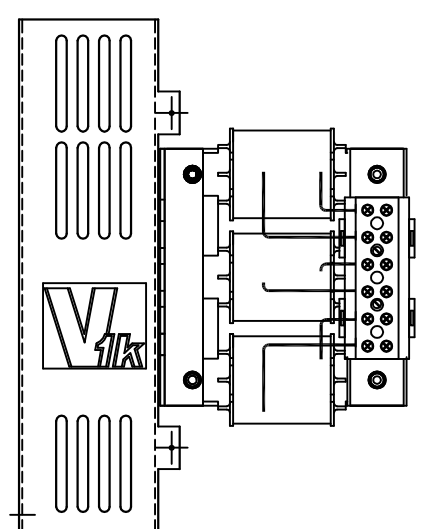


"SEE V1K INSTALLATION GUIDE FOR TERMINAL WIRE SIZE AND TORQUE"

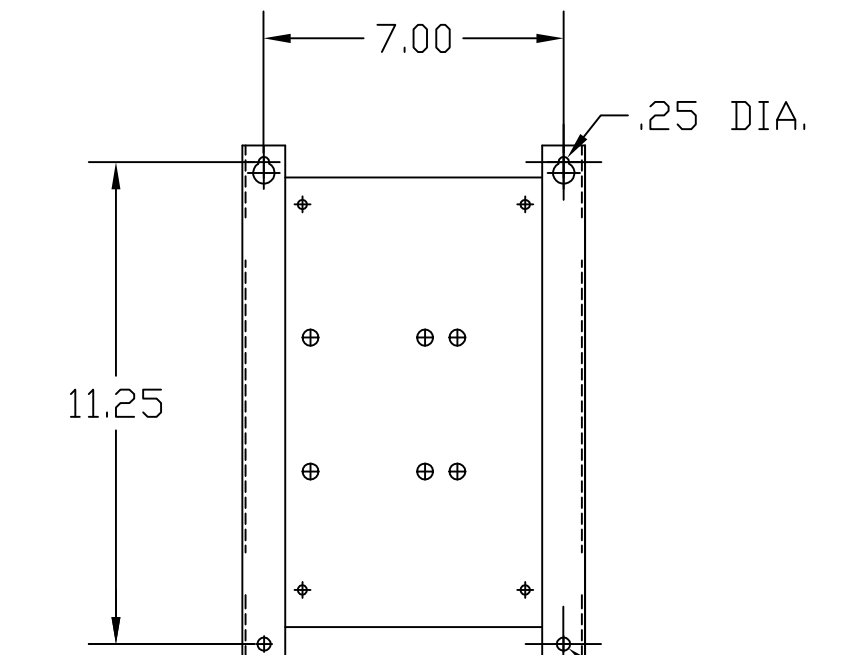


SPECIFICATIONS:	
AMP.	35
VOLT	240-600
PHASE	3
HZ	60
WEIGHT, LBS.	17
OPEN VERSION	

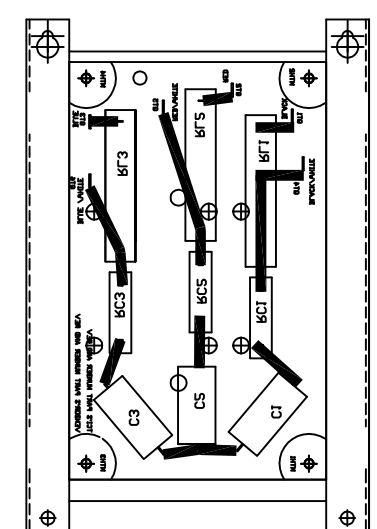
MARKINGS ON TERMINAL BLOCK  
A1,A2,B1,B2,C1,C2 FOR REFERENCE ONLY.



FRONT VIEW



REAR VIEW  
BRD. REMOVED



REAR VIEW

TOLERANCE UNLESS OTHERWISE NOTED:	
MOUNTING	+/- .06
OVERALL	+/- .12

CUSTOMER IS RESPONSIBLE FOR INSTALLATION TO MEET ALL NATIONAL AND LOCAL ELECTRICAL CODES.

TCL, LLC CLAIMS PROPRIETARY RIGHTS IN THE MATERIAL HEREIN DISCLOSED. IT IS SUPPLIED WITHOUT PREJUDICE TO ANY PATENT RIGHTS OF TCL AND MAY NOT BE REPRODUCED OR USED TO MANUFACTURE ANYTHING SHOWN THEREIN WITHOUT WRITTEN PERMISSION FROM TCL.

F	3216 ADD SEE GUIDE	12/6/2014	DSW
NO	REVISION	DATE	BY

TOLERANCES (EXCEPT AS NOTED)	
DECIMAL	
.XX	± .03
.XXX	± .01
FRACTIONAL	
±	1/32
ANGULAR	
±	1/2°

**TCL** W132 N10611 GRANT DRIVE  
GERMANTOWN, WI 53022

V1K35A00, OUTPUT FILTER  
35 AMP, OPEN VERSION

DRN. BY	RJC	DATE	2/1/05	DWG. NO.	102397DG
SCALE	NONE	SIZE	B	SHT. 1 OF 1	