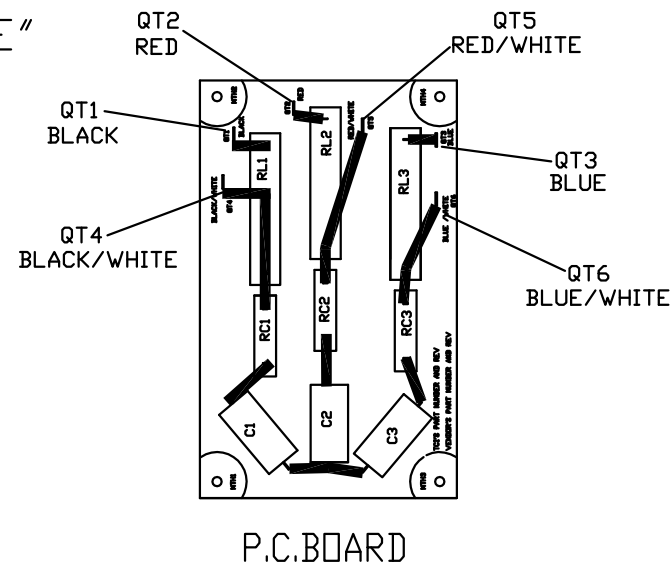
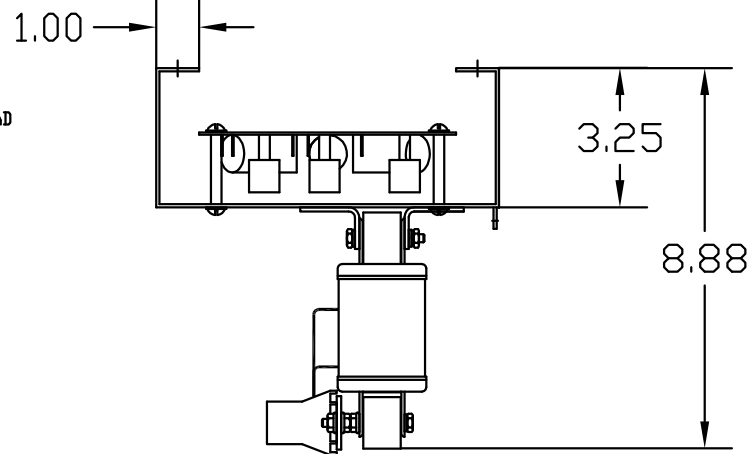
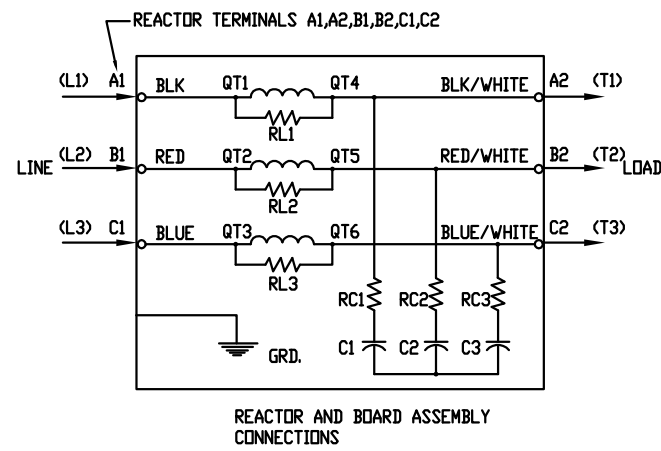
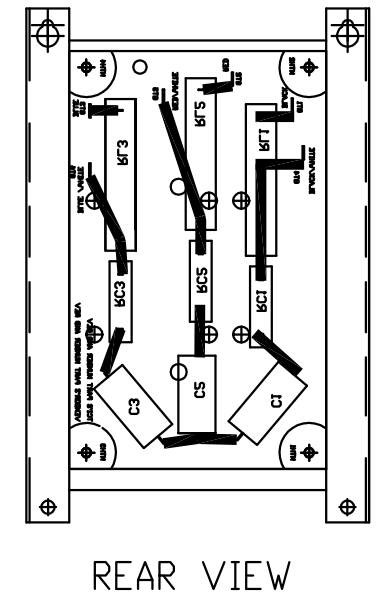
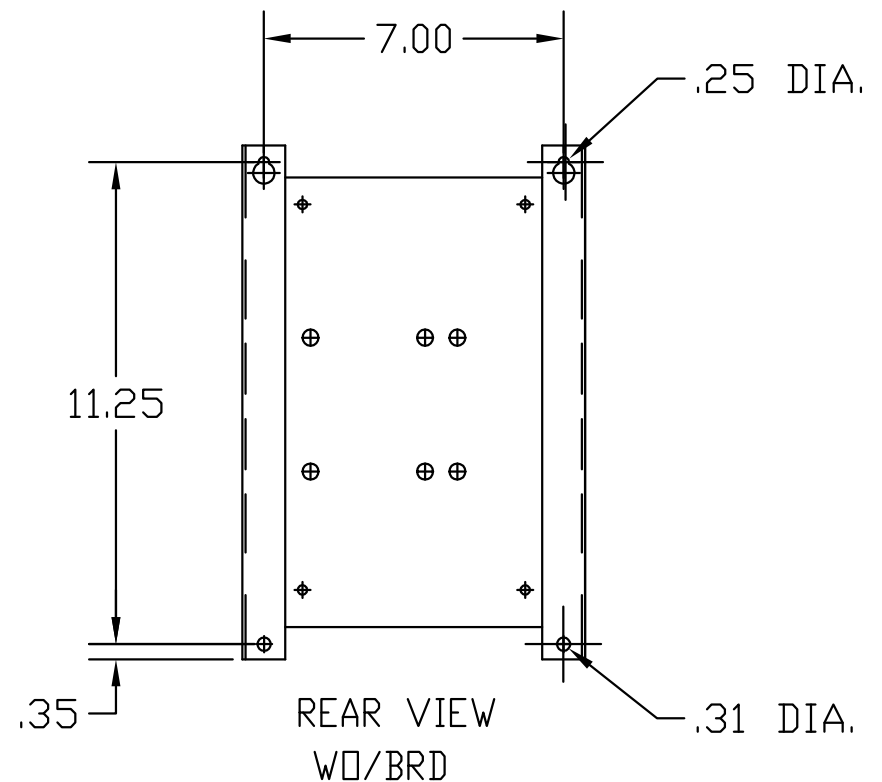
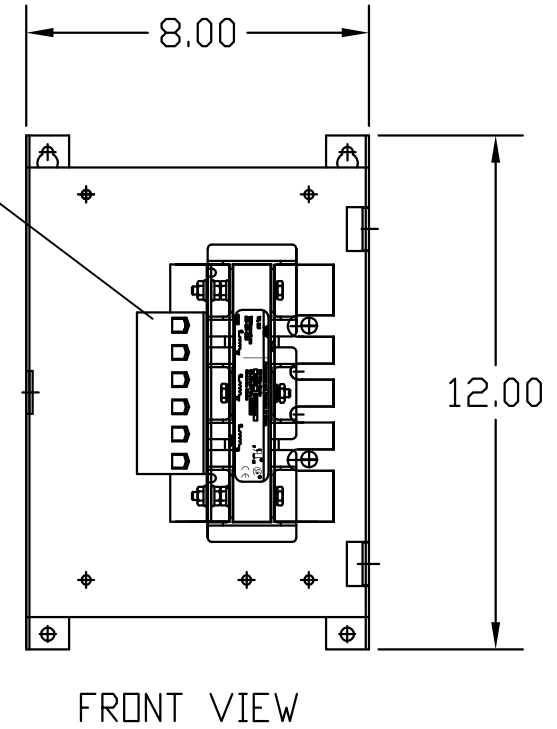
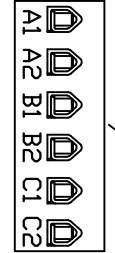
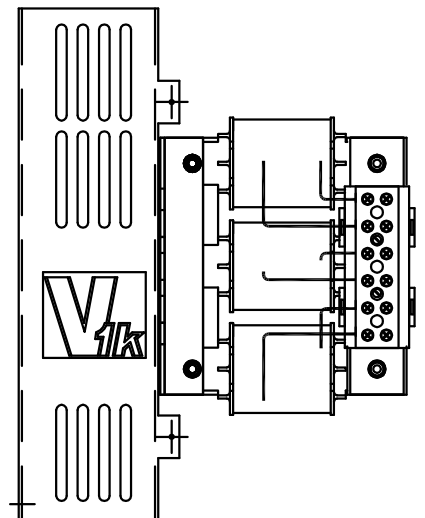


"SEE V1K INSTALLATION GUIDE FOR TERMINAL WIRE SIZE AND TORQUE"



SPECIFICATIONS:	
AMP.	55
VOLT	480
PHASE	3
HZ	60
WEIGHT, LBS.	16
OPEN VERSION	

MARKINGS ON TERMINAL BLOCK
A1,A2,B1,B2,C1,C2 FOR REFERENCE ONLY.



TOLERANCE UNLESS OTHERWISE NOTED:	
MOUNTING	+/- .06
OVERALL	+/- .12

CUSTOMER IS RESPONSIBLE FOR INSTALLATION TO MEET ALL NATIONAL AND LOCAL ELECTRICAL CODES.

TCI, LLC CLAIMS PROPRIETARY RIGHTS IN THE MATERIAL HEREIN DISCLOSED. IT IS SUPPLIED WITHOUT PREJUDICE TO ANY PATENT RIGHTS OF TCI AND MAY NOT BE REPRODUCED OR USED TO MANUFACTURE ANYTHING SHOWN THEREIN WITHOUT WRITTEN PERMISSION FROM TCI.				TOLERANCES (EXCEPT AS NOTED)	W132 N10611 GRANT DRIVE GERMANTOWN, WI 53022
				DECIMAL	
					.XX ± .03
					.XXX ± .01
				FRACTIONAL	V1K55A00, OUTPUT FILTER 55 AMP, OPEN VERSION
				± 1/32	
				ANGULAR	DRN. BY
				± 1/2°	RJC
					DATE
					4/12/05
					DWG. NO.
					102399DG
					SCALE
					NONE
					SIZE
					B
					SHT. 1 of 1