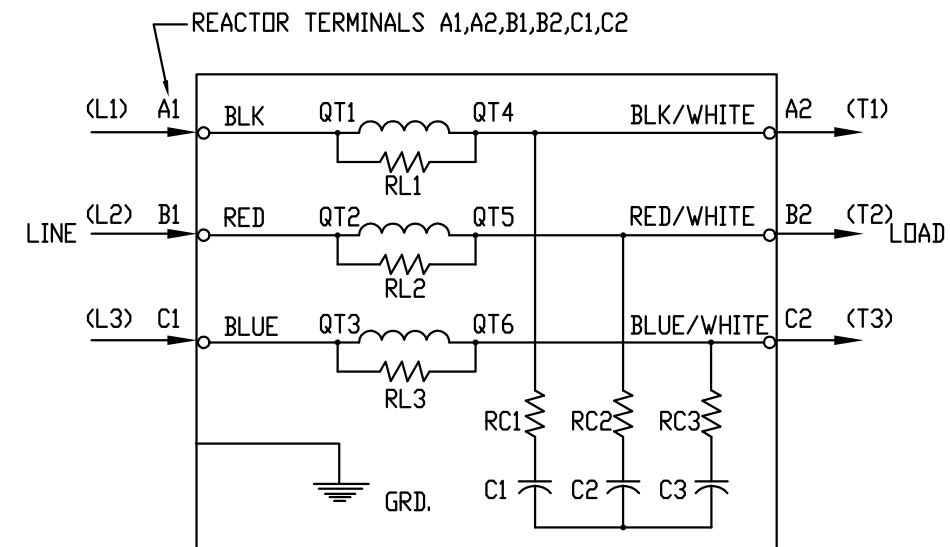
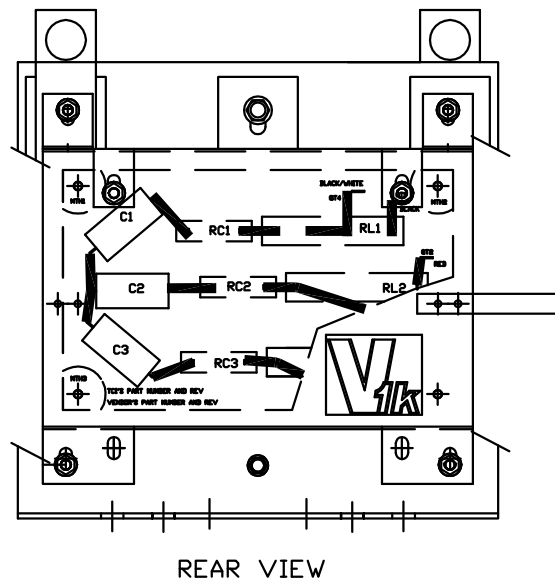
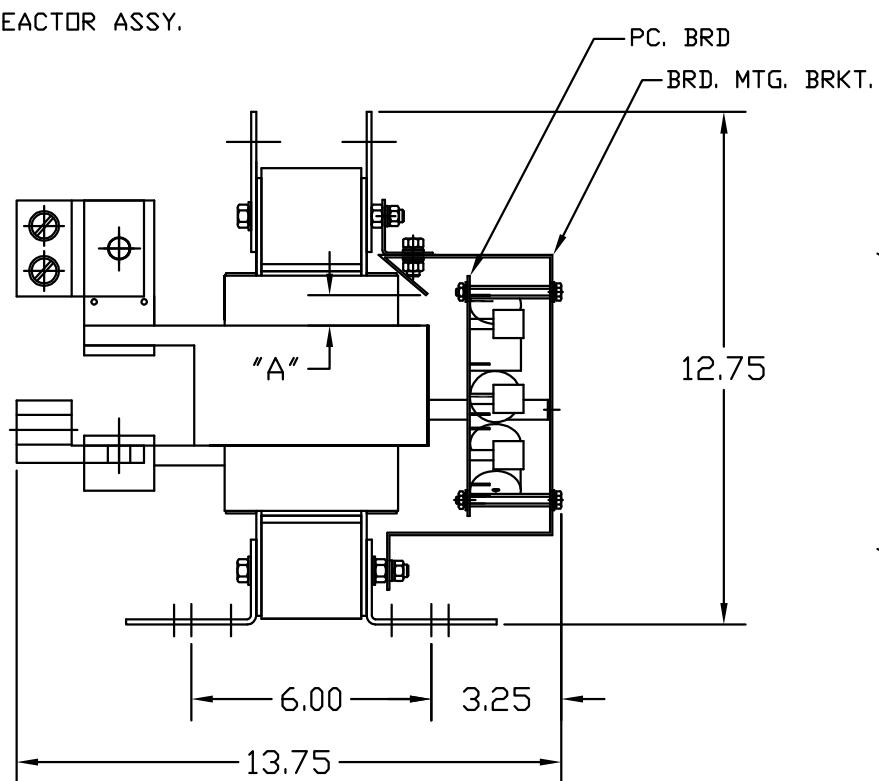
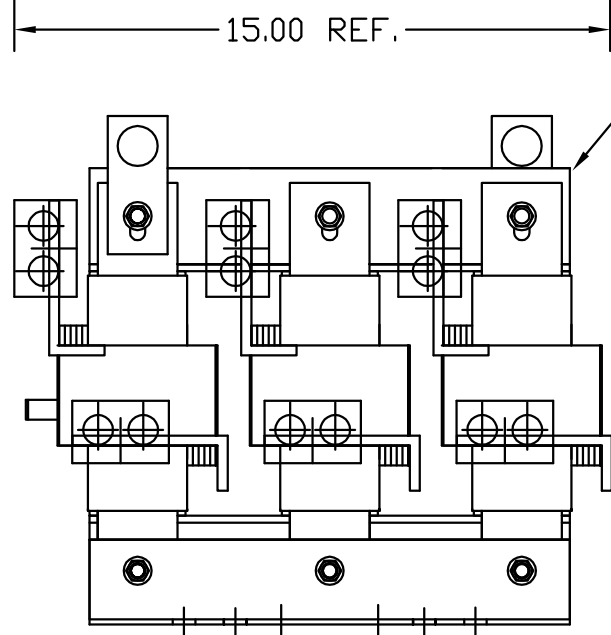
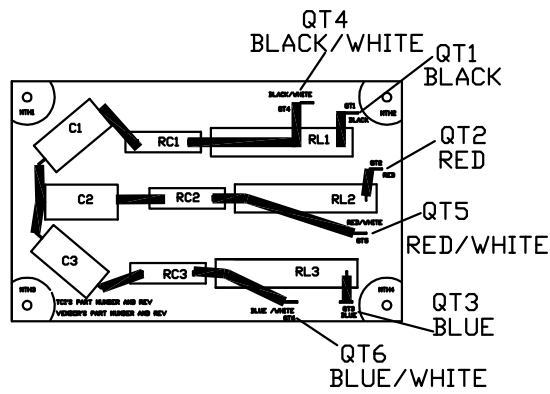
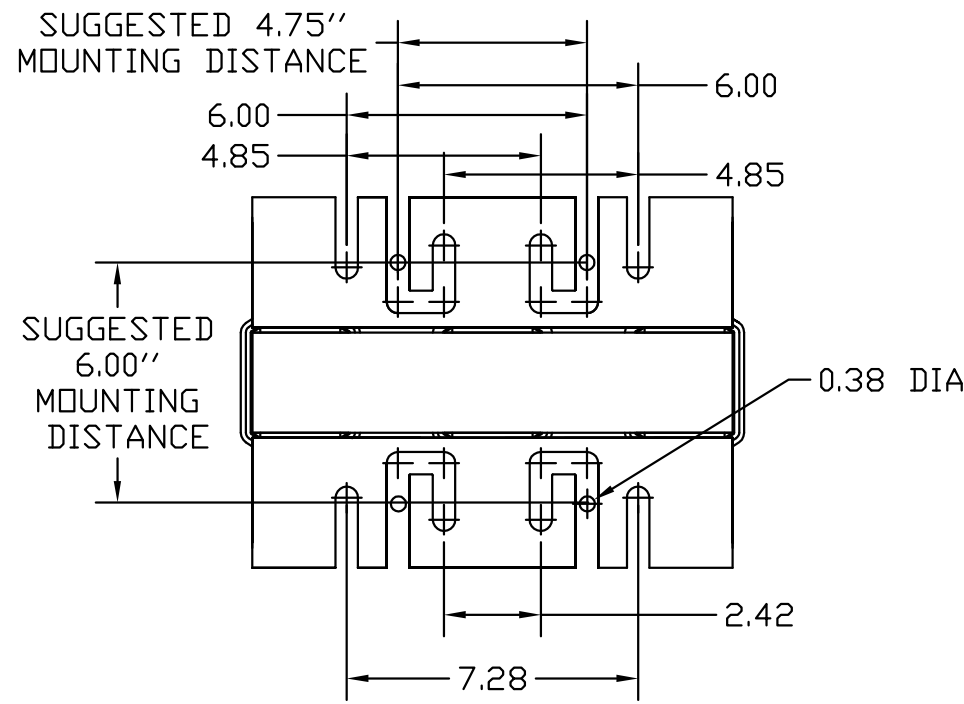
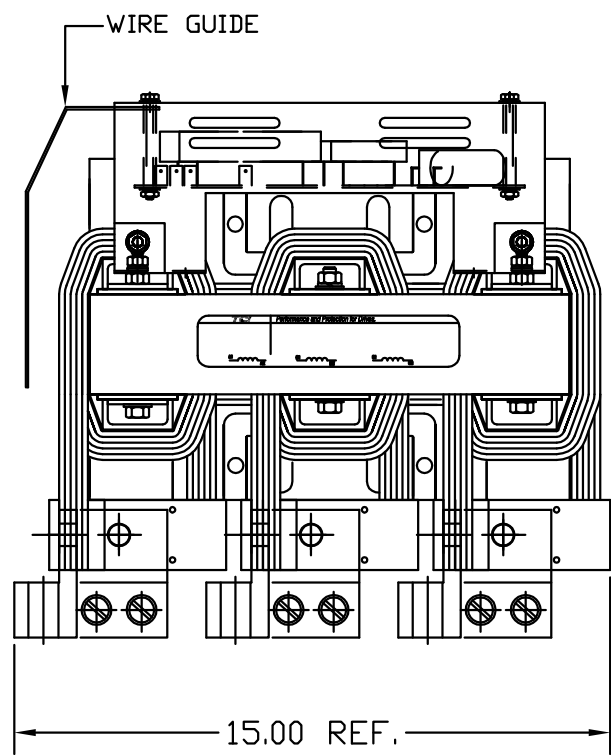


SPECIFICATIONS:	
AMP.	600
VOLT	240-600
PHASE	3
HZ	60
WEIGHT, LBS.	130
OPEN VERSION	



REACTOR AND BOARD ASSEMBLY CONNECTIONS

TOLERANCE UNLESS OTHERWISE NOTED:	
MOUNTING	+/- .06
OVERALL	+/- .12

"SEE V1K INSTALLATION GUIDE FOR TERMINAL WIRE SIZE AND TORQUE"

CUSTOMER IS RESPONSIBLE FOR INSTALLATION TO MEET ALL NATIONAL AND LOCAL ELECTRICAL CODES.

TCL, LLC CLAIMS PROPRIETARY RIGHTS IN THE MATERIAL HEREIN DISCLOSED. IT IS SUPPLIED WITHOUT PREDJUDICE TO ANY PATENT RIGHTS OF TCL AND MAY NOT BE REPRODUCED OR USED TO MANUFACTURE ANYTHING SHOWN THEREIN WITHOUT WRITTEN PERMISSION FROM TCL.

F	3216	ADD SEE GUIDE	10/29/14	DSW	
NO		REVISION	DATE	BY	

TOLERANCES (EXCEPT AS NOTED)	
DECIMAL	.XX ± .03 .XXX ± .005
FRACTIONAL	± 1/32
ANGULAR	± 1/2°

TCL W132 N10611 GRANT DRIVE GERMANTOWN, WI 53022

V1K600A00, OUTPUT FILTER
600 AMP, OPEN VERSION.

DRN. BY	RJC	DATE	5/20/05	DWG. NO.	102659DG
SCALE	NONE	SIZE	B	SHT.1 OF1	