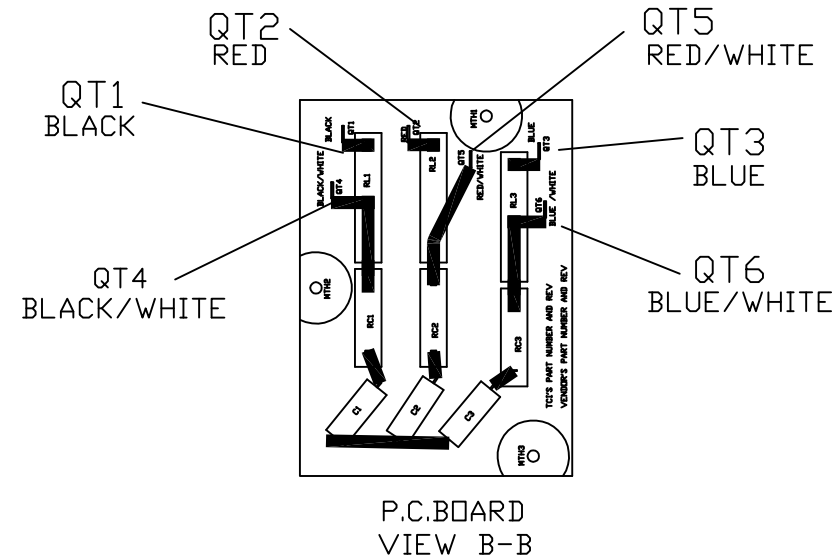
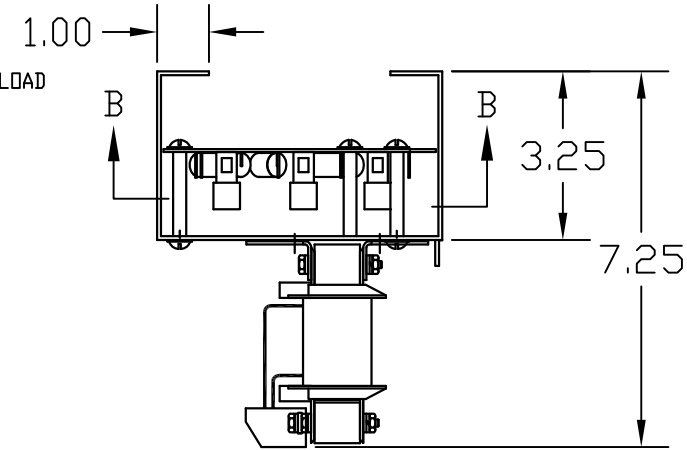
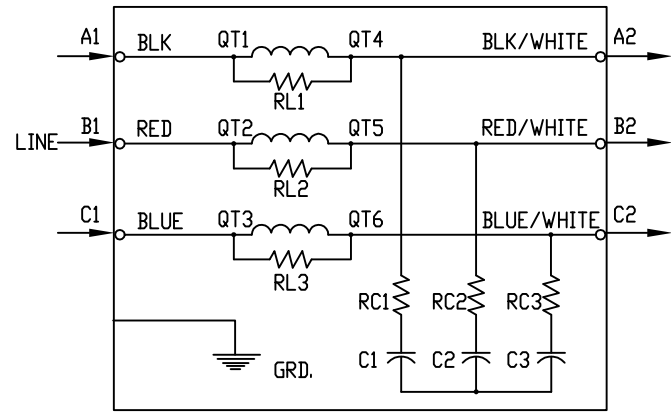
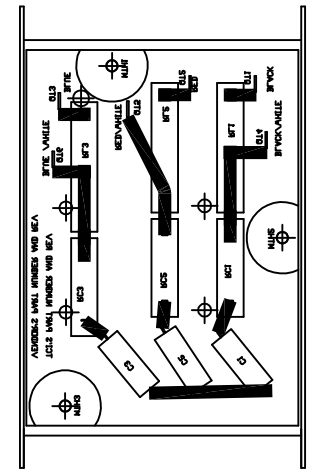
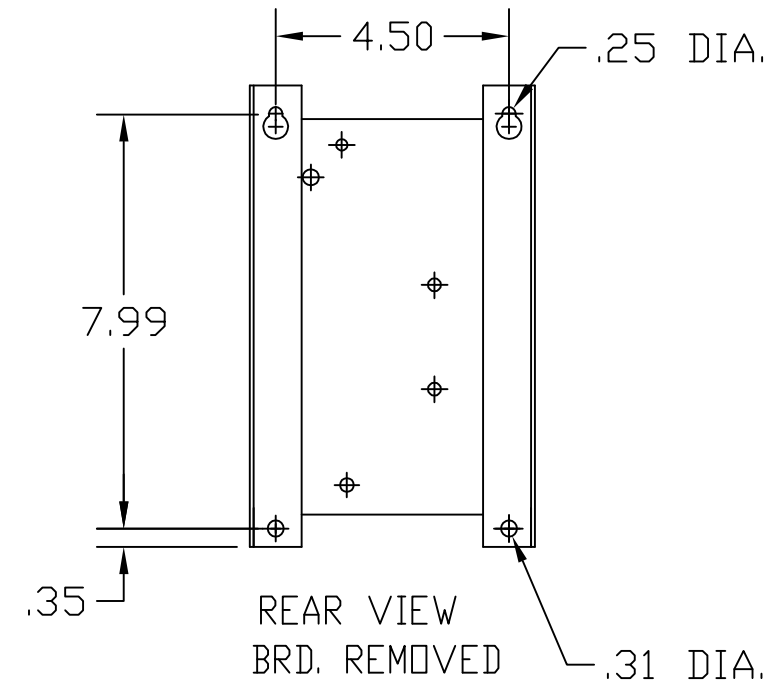
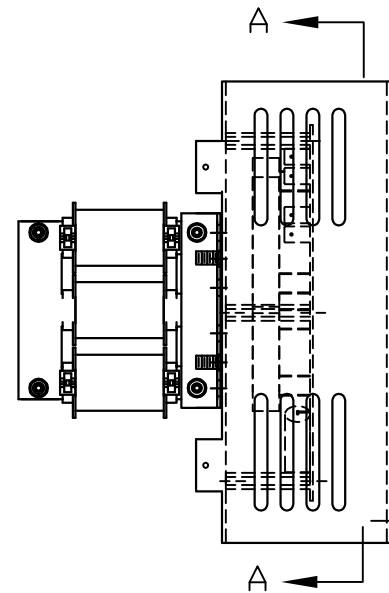
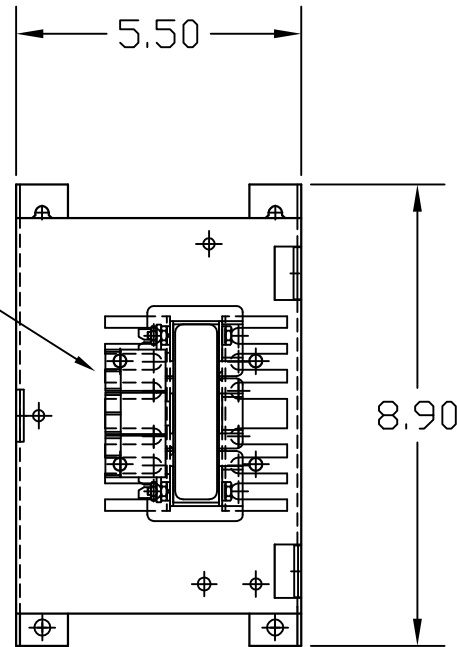
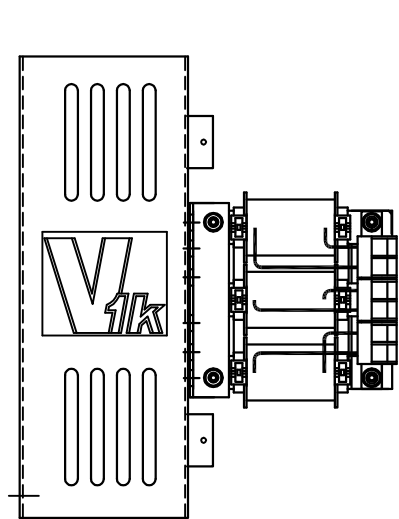


"SEE V1K INSTALLATION GUIDE FOR TERMINAL WIRE SIZE AND TORQUE"



SPECIFICATIONS:	
AMP.	6
VOLT	240-600
PHASE	3
HZ	60
WEIGHT, LBS.	8
OPEN VERSION	

MARKINGS ON TERMINAL BLOCK
A1,A2,B1,B2,C1,C2 FOR REFERENCE ONLY.



SECTION A-A

TOLERANCE UNLESS OTHERWISE NOTED:	
MOUNTING	+/- .06
OVERALL	+/- .12

CUSTOMER IS RESPONSIBLE FOR INSTALLATION TO MEET ALL NATIONAL AND LOCAL ELECTRICAL CODES.

TCl, LLC CLAIMS PROPRIETARY RIGHTS IN THE MATERIAL HEREIN DISCLOSED. IT IS SUPPLIED WITHOUT PREDJUDICE TO ANY PATENT RIGHTS OF TCl AND MAY NOT BE REPRODUCED OR USED TO MANUFACTURE ANYTHING SHOWN THEREIN WITHOUT WRITTEN PERMISSION FROM TCl.

NO	3216 ADD SEE GUIDE	12/5/14	DSW
NO	REVISION	DATE	BY

TOLERANCES (EXCEPT AS NOTED)	
DECIMAL	
.XX	± .03
.XXX	± .01
FRACTIONAL	
±	1/32
ANGULAR	
±	1/2°

TCl W132 N10611 GRANT DRIVE
GERMANTOWN, WI 53022

V1K6A00, OUTPUT FILTER
6 AMP, OPEN VERSION

DRN. BY	RJC	DATE	5/10/10	DWG. NO.	102313DG
SCALE	NONE	SIZE	B	SHT. 1 OF 1	