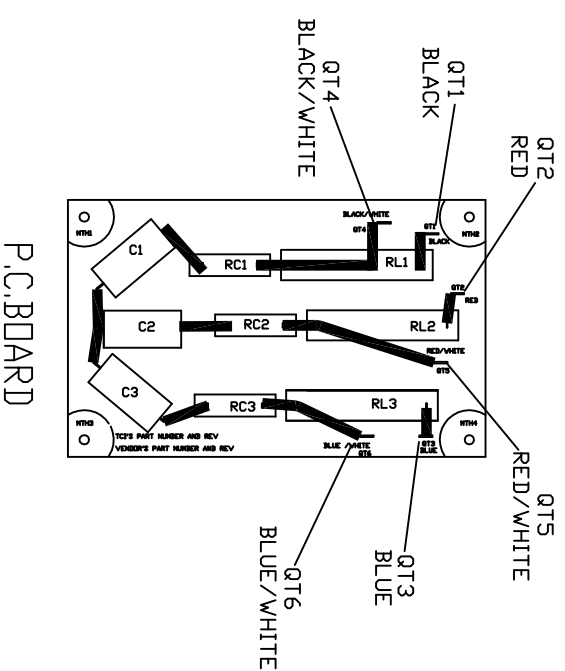
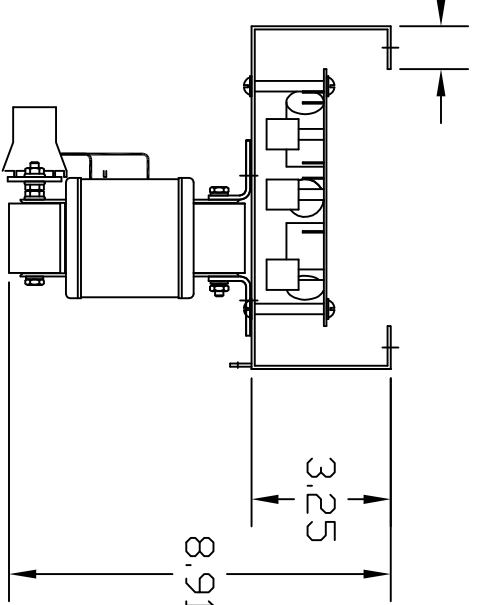
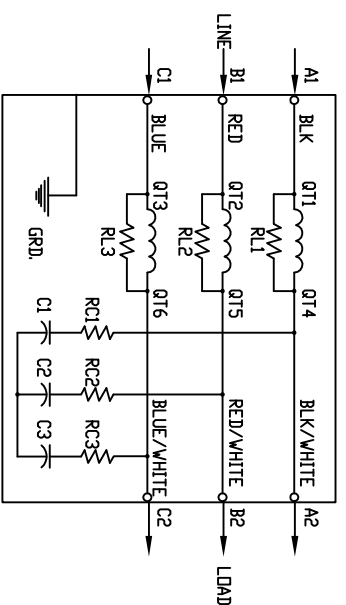
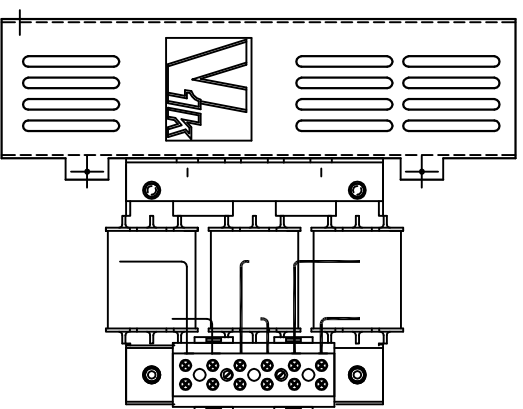


"SEE VIK INSTALLATION GUIDE FOR TERMINAL WIRE SIZE AND TORQUE"

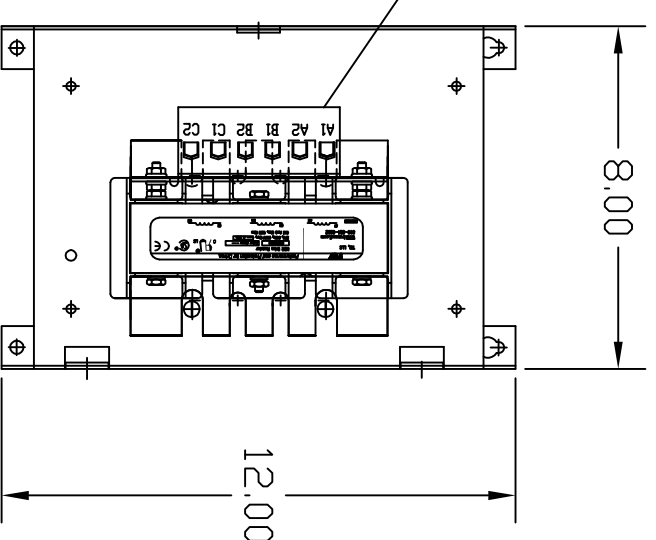


SPECIFICATIONS:	
AMP.	80
VOLT	240-600
PHASE	3
HZ	60
WEIGHT, LBS.	23
OPEN VERSION	

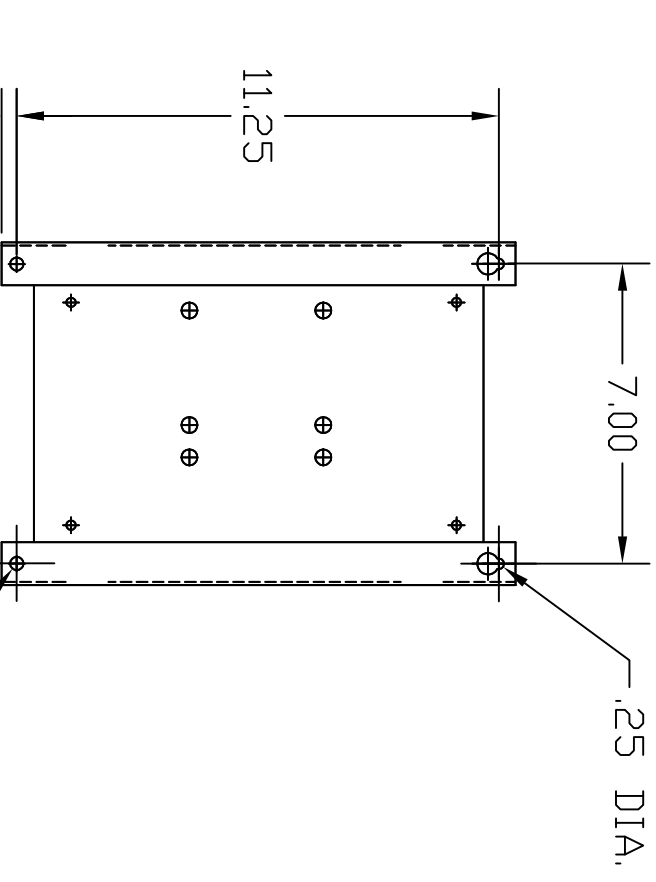
MARKINGS ON TERMINAL BLOCK
A1,A2,B1,B2,C1,C2 FOR REFERENCE ONLY.



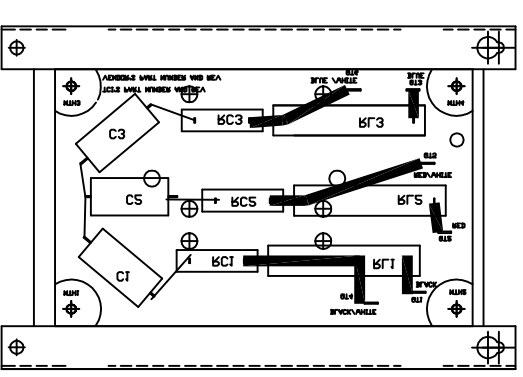
FRONT VIEW



REAR VIEW
BRD. REMOVED



REAR VIEW



TOLERANCE UNLESS OTHERWISE NOTED:
MOUNTING +/- .06
OVERALL +/- .12

TCI, LLC CLAIMS PROPRIETARY RIGHTS IN THE MATERIAL HEREIN DISCLOSED. IT IS SUPPLIED WITHOUT PREJUDICE TO ANY PATENT RIGHTS OF TCI AND MAY NOT BE REPRODUCED OR USED TO MANUFACTURE ANYTHING SHOWN THEREIN WITHOUT WRITTEN PERMISSION FROM TCI.

TOLERANCES (EXCEPT AS NOTED)	DATE	BY
DECIMAL		
.XX ± .03		
.XXX ± .01		
FRACTIONAL		
± 1/32		
ANGULAR		
± 1/2°		

TCI W132 N10611 GRANT DRIVE
GERMANTOWN, WI 53022

V1K80A00, OUTPUT FILTER
80 AMP, OPEN VERSION

DRN BY RJC DATE 2/1/05 DWG. NO. 102400DG
SCALE NONE SIZE B SH. 1 OF 1

CUSTOMER IS RESPONSIBLE FOR INSTALLATION TO MEET ALL NATIONAL AND LOCAL ELECTRICAL CODES.