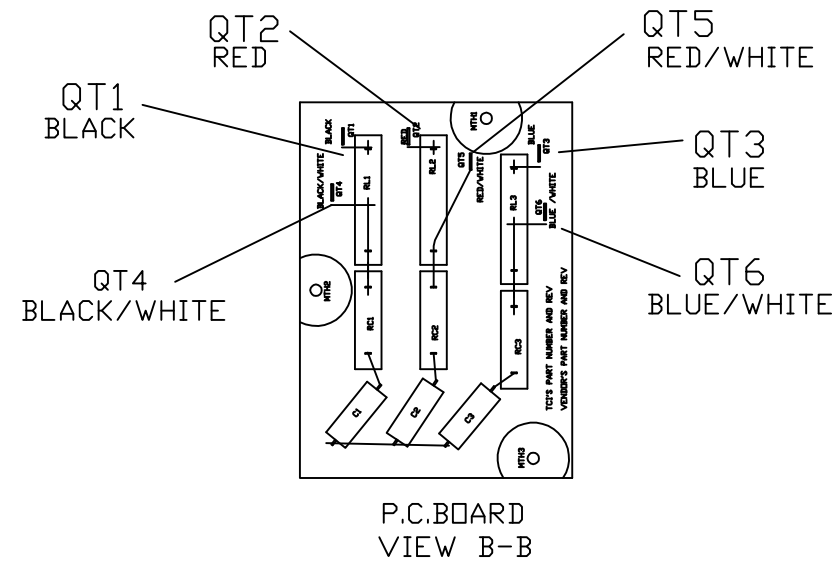
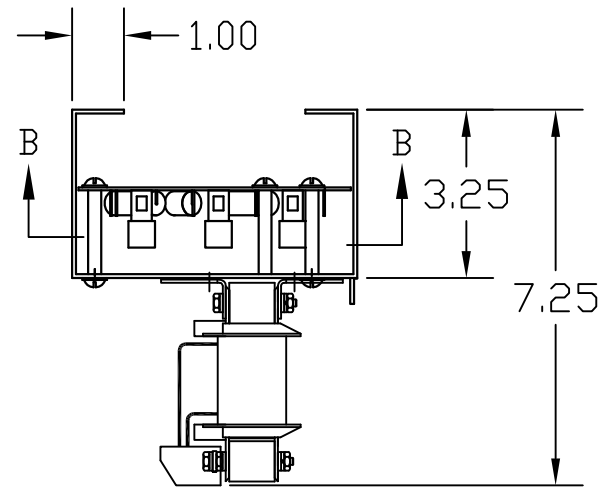
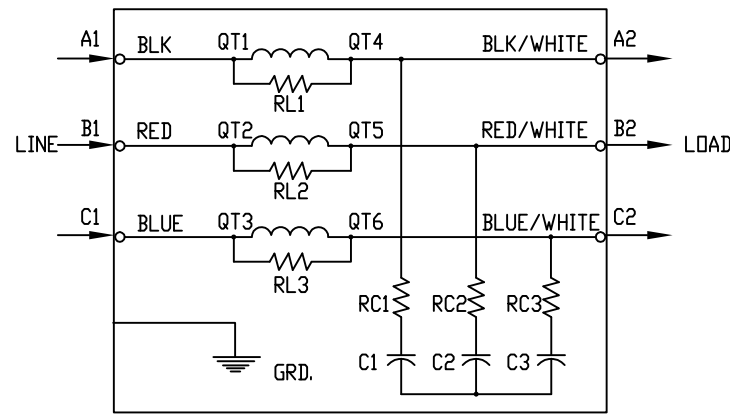
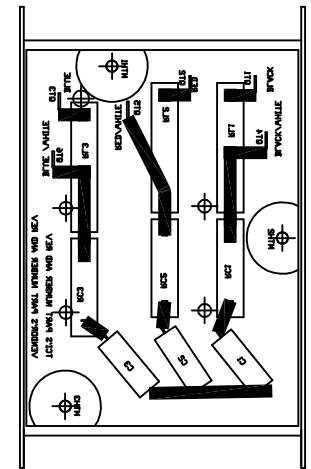
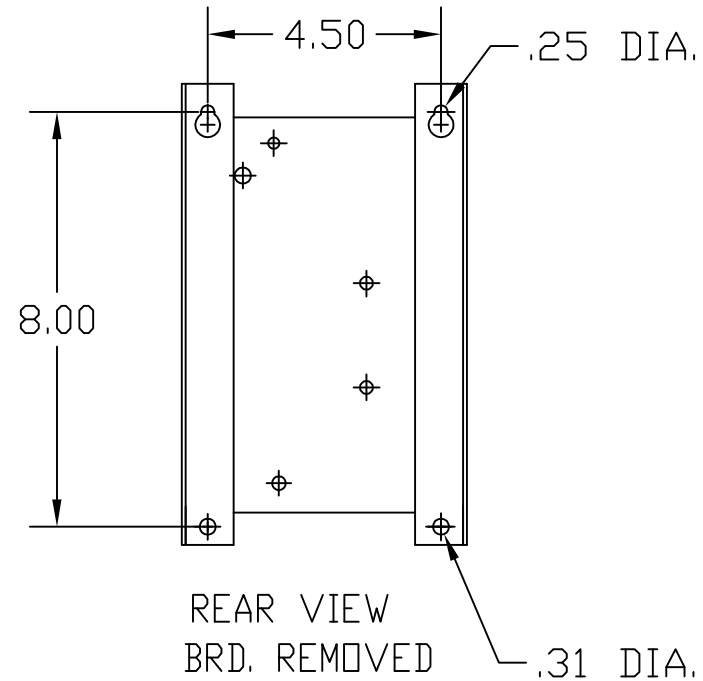
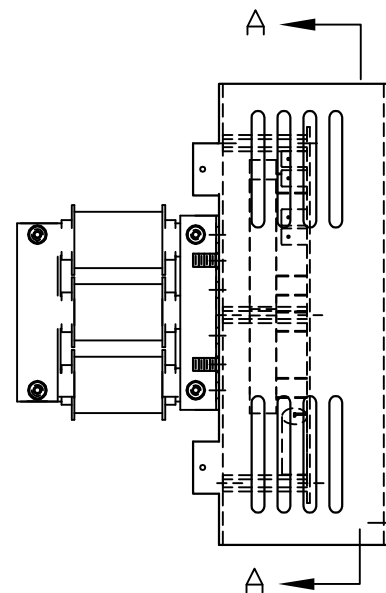
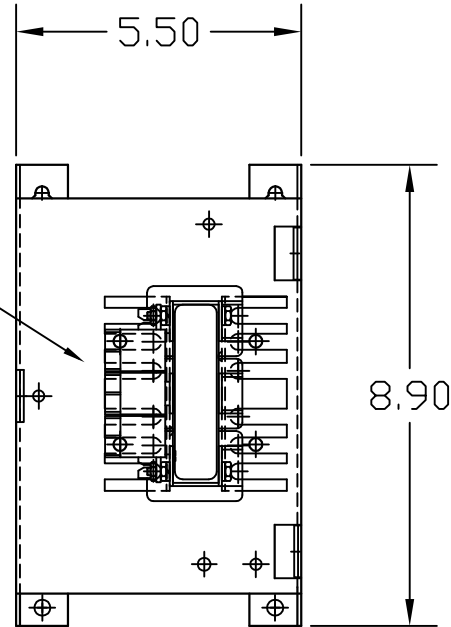
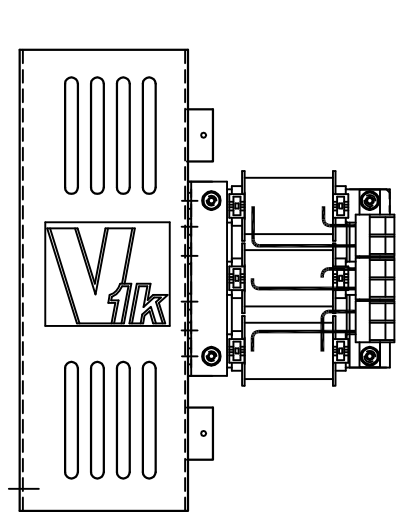


"SEE V1K INSTALLATION GUIDE FOR TERMINAL WIRE SIZE AND TORQUE"



SPECIFICATIONS:	
AMP.	8
VOLT	240-600
PHASE	3
HZ	60
WEIGHT, LBS.	8
OPEN VERSION	

MARKINGS ON TERMINAL BLOCK A1,A2,B1,B2,C1,C2 FOR REFERENCE ONLY.



SECTION A-A

TOLERANCE UNLESS OTHERWISE NOTED:	
MOUNTING	+/- .06
OVERALL	+/- .12

CUSTOMER IS RESPONSIBLE FOR INSTALLATION TO MEET ALL NATIONAL AND LOCAL ELECTRICAL CODES.

TCI, LLC CLAIMS PROPRIETARY RIGHTS IN THE MATERIAL HEREIN DISCLOSED. IT IS SUPPLIED WITHOUT PREJUDICE TO ANY PATENT RIGHTS OF TCI AND MAY NOT BE REPRODUCED OR USED TO MANUFACTURE ANYTHING SHOWN THEREIN WITHOUT WRITTEN PERMISSION FROM TCI.

NO	3216 ADD SEE GUIDE	12/5/14	DSW	TOLERANCES (EXCEPT AS NOTED)
	REVISION	DATE	BY	DECIMAL
				.XX ± .03
				.XXX ± .01
				FRACTIONAL
				± 1/32
				ANGULAR
				± 1/2°

**TCI** W132 N10611 GRANT DRIVE  
GERMANTOWN, WI 53022

V1K8A00, OUTPUT FILTER  
8 AMP, OPEN VERSION

DRN. BY: RJC DATE: 2/01/05 DWG. NO: 102314DG  
SCALE: NONE SIZE: B SHT. 1 OF 1