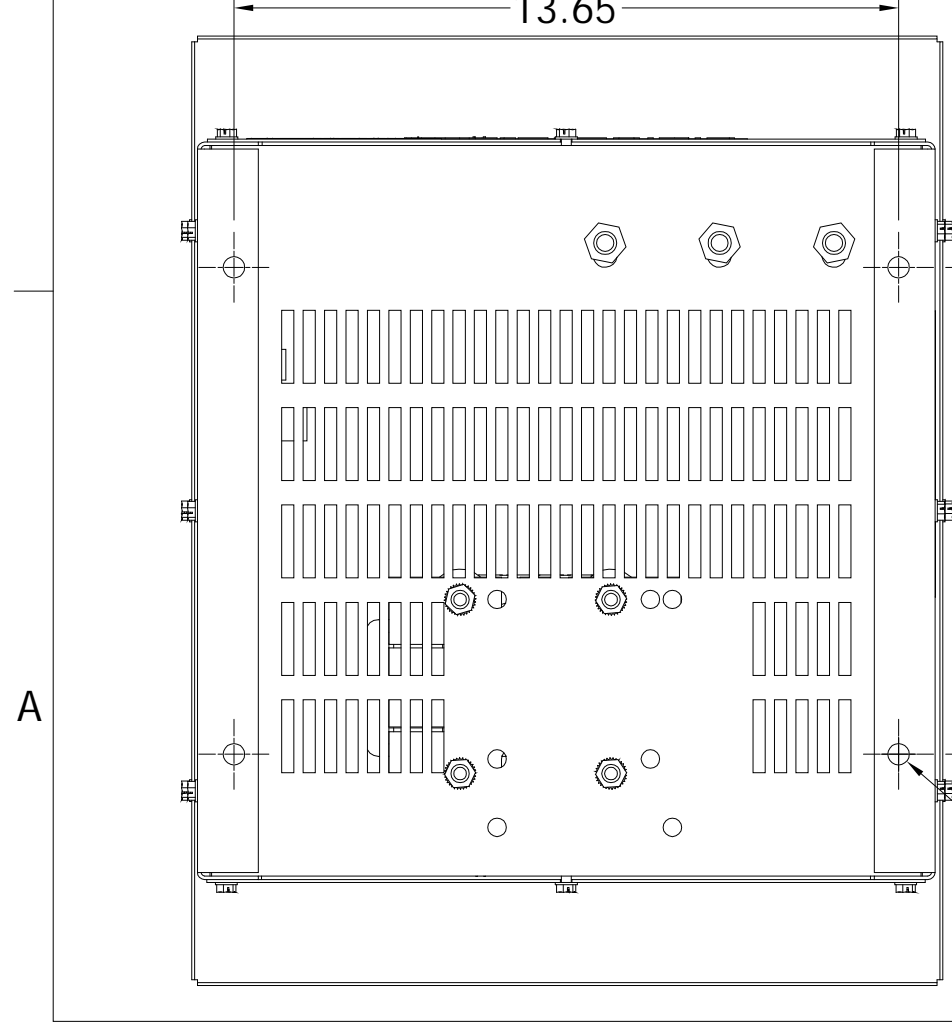
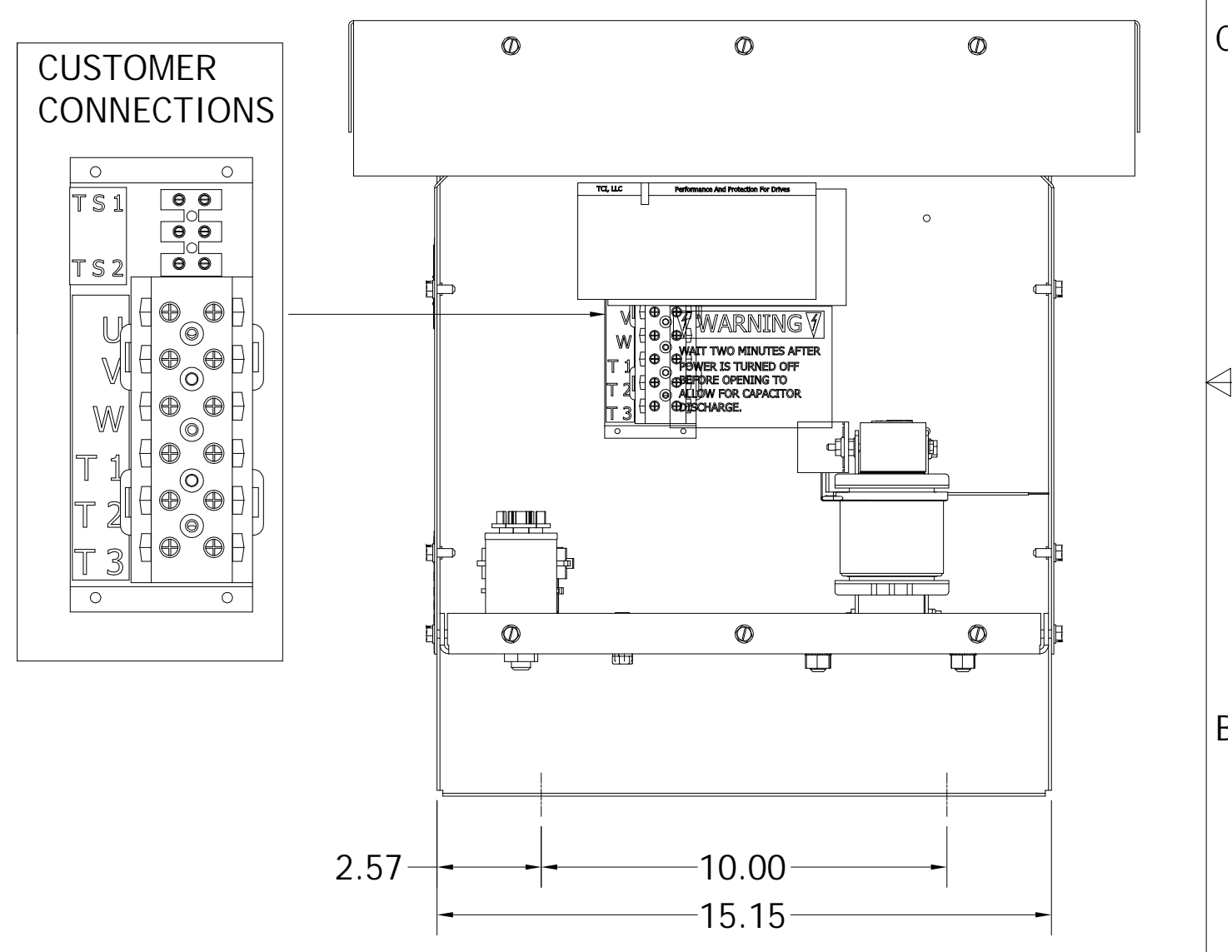


SUGGESTED CUSTOMER ENTRANCE.



NOTE: FOR WIRE RANGE AND TORQUE INFORMATION SEE IOM MANUAL.

MSD PART NUMBER	HP	VOLTAGE	CURRENT	WEIGHT	TERMINAL BLOCK	GROUND LUG
MSD0009A300	5	480V	9 AMPS	57LBS	WIRE RANGE: 1-22AWG	WIRE RANGE: 1/0 -14AWG
MSD0012A300	7.5	480V	12 AMPS	58LBS	WIRE RANGE: 1-22AWG	WIRE RANGE: 1/0 -14AWG
MSD0016A300	10	480V	16 AMPS	58LBS	WIRE RANGE: 1-22AWG	WIRE RANGE: 1/0 -14AWG

CUSTOMER IS RESPONSIBLE FOR INSTALLATION TO MEET ALL NATIONAL AND LOCAL ELECTRICAL CODES.

NO	REVISION	DATE	BY	TOLERANCES (EXCEPT AS NOTED)	SCALE	DATE	APRVD.	DWG. No.	SHEET	OF
F	3696 ADD DISCHARGE LABEL	7/29/16	DSW	DECIMAL	1/3	12/17/14		<b>TCL</b> ® W132 N10611 Grant Drive Germantown, WI 53022 <b>MSD 9 AMPS TO 16 AMPS</b> <b>MotorShield Sinewave Filter</b> <b>480/3/60, Type 1/ 3R.</b>	1	1
E	3345 ENCLOSURE UPDATED	9/4/2015	DSW	.XX +/- .25						
D	3364, 75°C TO 90°C MIN	6/30/2015	DSW	.XXX +/- .1						
C	3308 ADD CUSTOMER ENTRANCE	5/19/15	DSW	FRACTIONAL						
B	3302 Bleeder wiring chg on Schematic			+/- 1/16						
B	3302 CAPS MOVED TO FRONT	5/6/2015	DSW	ANGULAR						
NO				+/- 1°				105794DG		