

480 Rated Voltage, 690 Max Voltage, High Z, Impedance.

| Part Number | Horsepower (HP) | Motor Amps (A) | Maximum Amps (A) | Inductance (uH) +/-10% | Weight (LBS) | Losses (W) |
|--------------|-----------------|----------------|------------------|------------------------|--------------|------------|
| KDRAA9H2E3R1 | 1 1/2 | 3.00 | 4.0 | 12300 | 17.8 | 37 |
| KDRAA1H2E3R1 | 2 | 3.40 | 3.8 | 10800 | 17.8 | 45 |
| KDRAA2H2E3R1 | 3 | 4.80 | 5.4 | 7650 | 18.0 | 42 |
| KDRAA6H2E3R1 | 4 | 6.20 | 7.6 | 5930 | 18.4 | 50 |
| KDRAA3H2E3R1 | 5 | 7.60 | 8.2 | 4840 | 18.7 | 66 |
| KDRAA3H2E3R1 | 5 1/2 | 8.20 | 8.2 | 4840 | 18.7 | 74 |
| KDRAA4H2E3R1 | 7 1/2 | 11 | 12 | 3060 | 19.0 | 70 |
| KDRAA5H2E3R1 | 10 | 14 | 14 | 2330 | 19.2 | 97.7 |

208/ 240 Rated Voltage, 690 Max Voltage, High Z, Impedance.

| Part Number | Horsepower (HP) | Motor Amps (A) | Maximum Amps (A) | Inductance (uH) +/-10% | Weight (LBS) | Losses (W) |
|---------------|-----------------|----------------|------------------|------------------------|--------------|------------|
| KDRAA28H2E3R1 | 3 | 10.6 | 11 | 1618 | 17.6 | 44.6 |

600 Rated Voltage, 690 Max Voltage, High Z, Impedance.

| Part Number | Horsepower (HP) | Motor Amps (A) | Maximum Amps (A) | Inductance (uH) +/-10% | Weight (LBS) | Losses (W) |
|---------------|-----------------|----------------|------------------|------------------------|--------------|------------|
| KDRAA46H2E3R1 | 1 1/2 | 2.40 | 3.2 | 19100 | 17.9 | 31 |
| KDRAA43H2E3R1 | 2 | 2.70 | 3.4 | 17000 | 17.7 | 37 |
| KDRAA44H2E3R1 | 3 | 3.90 | 4.5 | 11800 | 17.9 | 47 |
| KDRAA57H2E3R1 | 4 | 4.90 | 6.0 | 9380 | 18.5 | 48 |
| KDRAA58H2E3R1 | 5 | 6.10 | 6.8 | 7530 | 18.4 | 44 |
| KDRAA58H2E3R1 | 5 1/2 | 6.60 | 6.8 | 7530 | 18.4 | 47 |

480 Rated Voltage, 690 Max Voltage, Low Z, Impedance.

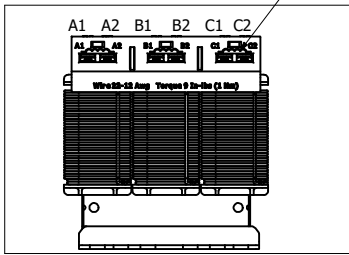
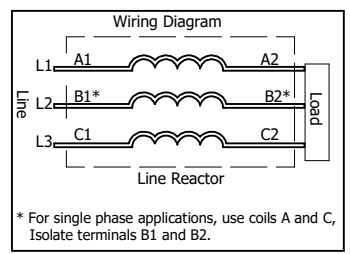
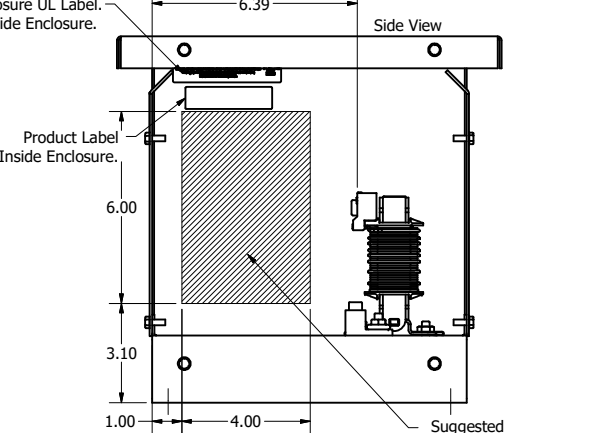
| Part Number | Horsepower (HP) | Motor Amps (A) | Maximum Amps (A) | Inductance (uH) +/-10% | Weight (LBS) | Losses (W) |
|--------------|-----------------|----------------|------------------|------------------------|--------------|------------|
| KDRAA9L2E3R1 | 1 1/2 | 3.00 | 4.5 | 7400 | 18.0 | 25 |
| KDRAA6L2E3R1 | 4 | 6.20 | 7.6 | 3560 | 18.0 | 39 |
| KDRAA3L2E3R1 | 5 | 7.60 | 8.2 | 2900 | 18.0 | 45 |
| KDRAA3L2E3R1 | 5 1/2 | 8.20 | 8.2 | 2900 | 18.0 | 49 |
| KDRAA4L2E3R1 | 7 1/2 | 11.0 | 11.6 | 2000 | 18.2 | 63 |
| KDRAA5L2E3R1 | 10 | 14 | 14 | 1580 | 18.3 | 77.7 |

208/ 240 Rated Voltage, 690 Max Voltage, Low Z, Impedance.

| Part Number | Horsepower (HP) | Motor Amps (A) | Maximum Amps (A) | Inductance (uH) +/-10% | Weight (LBS) | Losses (W) |
|---------------|-----------------|----------------|------------------|------------------------|--------------|------------|
| KDRAA28L2E3R1 | 3 | 10.6 | 12 | 971 | 18 | 42 |

600 Rated Voltage, 690 Max Voltage, Low Z, Impedance.

| Part Number | Horsepower (HP) | Motor Amps (A) | Maximum Amps (A) | Inductance (uH) +/-10% | Weight (LBS) | Losses (W) |
|---------------|-----------------|----------------|------------------|------------------------|--------------|------------|
| KDRAA47L2E3R1 | 2 | 2.70 | 4.8 | 10200 | 17.8 | 19 |
| KDRAA52L2E3R1 | 3 | 3.90 | 4.8 | 7070 | 18.5 | 30 |
| KDRAA57L2E3R1 | 4 | 4.90 | 7.6 | 5630 | 17.9 | 30 |
| KDRAA58L2E3R1 | 5 | 6.10 | 7.6 | 4520 | 18.0 | 39 |
| KDRAA58L2E3R1 | 5 1/2 | 6.60 | 7.6 | 4520 | 18.0 | 44 |
| KDRAA48L2E3R1 | 7 1/2 | 9.00 | 9.6 | 3100 | 18.2 | 57 |
| KDRAA49L2E3R1 | 10 | 11 | 11 | 2454 | 18.8 | 60.7 |



TCI, LLC | Germantown, WI | transcoil.com

KDR Drive Reactor

Motor Amps

3PH 50/60Hz, -V Rated, 690V Max, -A Max, RoHS 50C Amb Max 135C Rise, Manual # 30895

Data Code

- Notes:
1. UL file number: cULus Listed File E116124.
 2. KDR Drive Reactors Comply With The Thermal and Altitude Standards Set Forth by NEMA ST20-1992.
 3. KDR IOM Manual Part Number 30895
 4. NEC Current For 208/240 Volts, Horsepower Based On 208 Volts.
 5. Material(s) Shall be RoHS Compliant
 6. User To Punch Own Holes For Wire Entry.
 7. Customer Is Responsible For Installation To Meet All National And Local Electrical Codes.

| | | | | | |
|--|--|---------|-----|---|--|
| TCI, LLC CLAIMS PROPRIETARY RIGHTS IN THE MATERIAL HEREIN DISCLOSED. IT IS SUPPLIED WITHOUT PREJUDICE TO ANY PATENT RIGHTS OF TCI AND MAY NOT BE REPRODUCED OR USED TO MANUFACTURE ANYTHING SHOWN THEREIN WITHOUT WRITTEN PERMISSION FROM TCI. | | | | (TOLERANCES (EXCEPT AS NOTED) DECIMAL .XX ± .25 .XXX ± .10 FRACTIONAL ± 1/16 ANGULAR ± 1° | |
| C | 4918, KDRAA49L2E3R1 575V TO 600V | | | | |
| C | KDRAA49L2E3R1, Only at Rev C | 10/8/19 | DSW | | |
| B | 4815, Add Inductors (4), (5), (28), (49) | 7/24/19 | DSW | | |
| A | As Designed | 7/21/17 | DSW | | |
| NO | REVISION | DATE | BY | | |

KDR AA Frame, Terminal Block, Enclosed, Type 3R Reactor Drawing
 DWN BY: DSW DATE: 7/21/17
 SCALE: 1/3 DRAWN BY: CJC
 107186DG
 SHEET 1 OF 1