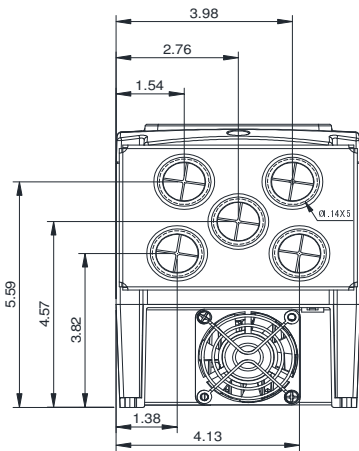
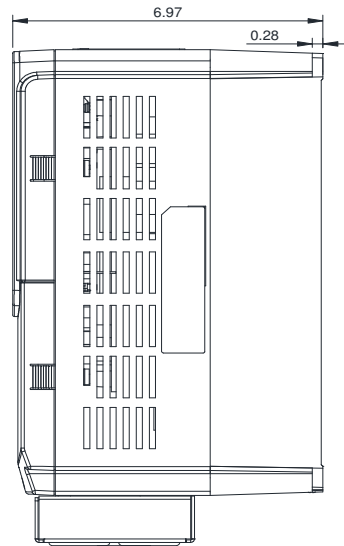
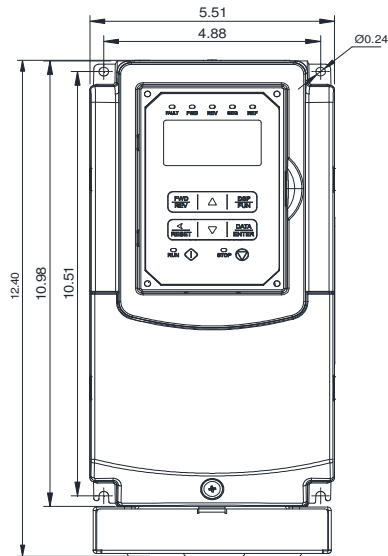


GENERAL DATASHEET VARIABLE SPEED DRIVE

| | | | | | | |
|-----------------------------|-------------------------|------------------------|----------------------|---|---------------------|-----------------|
| Series A510 | | | | MODEL# A510-2005-C3-UE | | |
| ISSUED 12/30/2019 | | | | ENCLOSURE/ FRAME NEMA 1 (IP20) / F2 | | |
| INPUT AMPS | | | | AC INPUT VOLTAGE | AC INPUT FREQUENCY | AC INPUT PHASE |
| HD (CT) 18.7 | | ND (VT) 22.3 | | | | |
| OUTPUT HP | | OUTPUT AMPS | | AC OUTPUT VOLTAGE | AC OUTPUT FREQUENCY | AC OUTPUT PHASE |
| HD (CT) 5 | ND (VT) 5/7.5 | HD (CT) 17.5 | ND (VT) 22 | | | |



| | | | | |
|--------------|-------------|-------------|-----------------|-------------|
| Approved By: | Brian Smith | Drawing No: | A510-230-005-F2 | Revision: 1 |
|--------------|-------------|-------------|-----------------|-------------|