

Type B Liquidtight Fittings and Flexible Non-Metallic Conduits

Metallic Bullet® Liquidtight Connectors for T&B LTC Non-Metallic Liquidtight Conduit Type B and T&B EFC Flexible Tubing



CAT. NO.	FIG.	TRADE SIZE (IN.)	A ±.030 (.80) (IN.) (MM)	*B ±.060 (1.50) (IN.) (MM)	C ±.045 (1.15) (IN.) (MM)	D (IN.) (MM)	THREAD NPT (IN.)
LT38M	1	—	1.156	1.500 (38.1)	.562 (14.3)	—	—
LT438M	2	¾	(29.4)	1.962 (49.8)	.562 (14.3)	—	½-14
LT938M	3	—	—	1.312 (33.3)	.625 (15.9)	1.375 (34.9)	—
LT50M	1	—	1.375	1.562 (39.7)	.562 (14.3)	—	—
LT450M	2	½	(34.9)	1.875 (47.6)	.562 (14.3)	—	½-14
LT950M	3	—	—	1.437 (36.5)	.625 (15.9)	1.562 (39.7)	—
LT75M	1	—	1.656	1.625 (41.2)	.625 (15.9)	—	—
LT475M	2	¾	(42.1)	2.125 (54.0)	.562 (14.3)	—	¾-14
LT975M	3	—	—	1.750 (44.4)	.625 (15.9)	1.750 (44.4)	—
LT100M	1	—	1.875	2.062 (52.4)	.750 (19.0)	—	—
LT4100M	2	1	(47.6)	2.250 (57.1)	.812 (20.6)	—	1-11½
LT9100M	3	—	—	1.937 (49.2)	.812 (20.6)	2.187 (55.5)	—
LT125M	1	—	2.375	2.500 (63.5)	.812 (20.6)	—	—
LT4125M	2	1¼	(60.3)	2.750 (69.8)	.812 (20.6)	—	1¼-11½
LT9125M	3	—	—	2.500 (63.5)	.812 (20.6)	2.750 (69.8)	—
LT150M	1	—	2.750	2.687 (68.2)	.812 (20.6)	—	—
LT4150M	2	1½	(69.8)	2.750 (69.8)	.812 (20.6)	—	1½-11½
LT9150M	3	—	—	2.812 (71.4)	.812 (20.6)	2.937 (74.6)	—
LT200M	1	—	3.468	3.062 (77.8)	.812 (20.6)	—	—
LT4200M	2	2	(88.1)	3.875 (98.4)	.875 (22.2)	—	2-11½
LT9200M	3	—	—	3.500 (88.9)	.875 (22.2)	3.437 (87.3)	—

* After Assembly

UL File No. E-23018

CSA File No. 52391

Suggested Specification:

Where liquidtight flexible non-metallic conduit (UL Type B) or liquidtight flexible non-metallic tubing is terminated to a box or enclosure, the metallic connectors used shall be able to be installed without disassembly and provide a positive installation criteria. In the installed condition, the connector must provide a seal, meeting watertight requirements of NEMA Type 4 and Type 6 enclosures with conduit and NEMA Type 4 enclosures with tubing. Installed connectors shall be as manufactured by Thomas & Betts LT38M series.

Material: Body/Gland — Steel/MI
Insert — Nylon

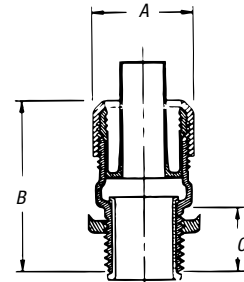


Figure 1

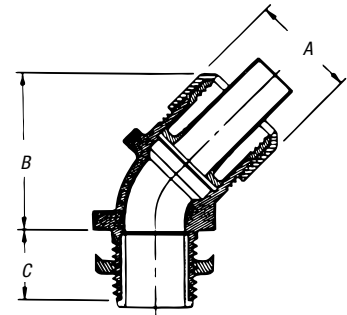


Figure 2

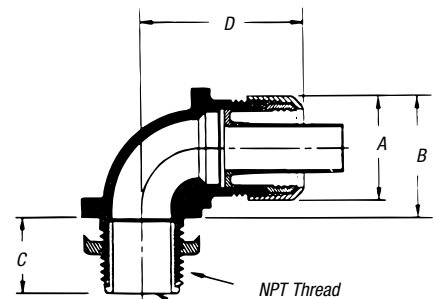


Figure 3