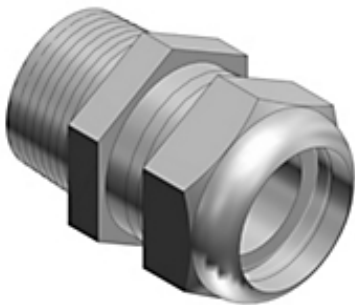




Actual



Representative

**Catalog Number:** 2920SST  
**Product ID:** 7TAD105340R0001  
**UPC Number:** 78620987789  
**EAN Number:** 05415022259681  
**Status:** A

Liquidtight Strain Relief Connector, 1/2 Inch NPT Threads, Straight, Cord Range 0.125 to 0.375 Inch, 304 Stainless Steel Body with Rubber Bushing

- Type 304 stainless steel construction for your harshest environments
- Ranger liquidtight cord connectors offer twice the cord diameter range of similar connectors, so you can do more with fewer sizes to order and stock.
- Ranger connectors form a non-slip mechanical grip, providing a liquidtight seal and the strain relief required for flexible portable cord connections.
- Superior corrosion resistance in wash down areas and other corrosive environments.
- Stands up to heat and UV exposure better than non-metallic connectors.
- Beveled, moisture and oil-resistant synthetic rubber bushing system ensures superior compression and sealing of fitting to cord.
- Bushing marked with cord range for easy identification out of box.
- Ideal for MRO and OEM applications in corrosive environments such as food & beverage and pharmaceutical processing wash down area.
- Pulp and paper mills, wastewater treatment, saltwater applications and petrochemical refining.

**North American Specifications (UNSPSC)**

|                  |   |
|------------------|---|
| UNSPSC           | 39121431 Cable gland connector  |
| IGCC             | 4601 Cable gland connector  |
| Type             | Cord Connectors-Straight  |
| Special Features | Type 304 Stainless Steel Construction for Your Harshest Environments  |
| Application      | Ideal for MRO and OEM Applications In Corrosive Environments Such As Food & Beverage and Pharmaceutical Processing Wash Down Area |
| Standard         | UL E13938, CSA  |
| Size             | 1/2 Inch  |
| Conductor Range  | 0.125 to 0.375 Inch   |
| Material         | Stainless Steel   |
| Color            | Metallic  |

**European Specifications (ETIM)**

|  |                            |
|--|----------------------------|
| ETIM                                     | EC000441 Cable screw gland |
| Thread type                              | NPT                        |
| Nominal thread size inch/gas pipe thread | 1/2 inch                   |
| Suitable for cable diameter              | 3.175-9.525mm              |
| Material                                 | Metal                      |
| Material quality                         | Stainless steel V2A        |
| Colour                                   | Natural colour             |
| Model                                    | Straight                   |

**Packaging**

|                           |                   |
|---------------------------|-------------------|
| Inner Quantity            | 25                |
| Inner Dimensions (inches) | 6x4.5x4           |
| Outer Quantity            | 125               |
| Outer Dimensions (inches) | 21x5x7            |
| Weight Uom                | 23.5 lbs. per 100 |



### **Documents / Support Tools**

|                                |                      |
|--------------------------------|----------------------|
| Technical Drawing / Data Sheet | TDS000054            |
| Catalog Page                   | Available on Website |
| Support/Tools                  | Available on Website |

### **Header**

|          |                      |
|----------|----------------------|
| 3D Model | Available on Website |
|----------|----------------------|