

MODEL 2601

Voltage Sensor

- Monitors Under Voltage
- SPDT Output
- Automatic Reset
- 5 Year Unconditional Warranty



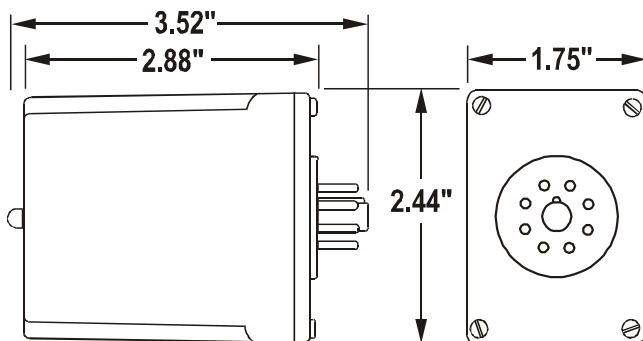
DESCRIPTION

The **Model 2601 Voltage Sensor** is a single-setpoint under voltage monitor. Input voltages above the setpoint will cause the output contact to energize and the LED indicator to illuminate. Input voltages below the setpoint will cause the output contact to de-energize and the LED indicator will go off.

The 2601 Voltage Sensor is available in AC or DC versions. AC models of the 2601 are not frequency sensitive and can be used on systems from 50 to 400Hz. The voltage level is screwdriver adjustable over a wide operating range.

This device requires a standard 8-pin socket for mounting (see **Model 51X120** under *Accessories in the Time Mark catalog*).

DIMENSIONS



(dimensions have tolerance of ± 0.06)

SPECIFICATIONS

2601 - AC VERSIONS					
Nominal AC Voltages	24VAC	120VAC	208VAC	240VAC	
Voltage Range	19 - 24	90 - 120	185 - 200	200 - 240	
Max. Input Voltage	32V	160V	250V	285V	
Input Frequency (Hz)	50 - 400	50 - 400	50 - 400	50 - 400	
2601 - DC VERSIONS					
Nominal DC Voltage	12VDC	24VDC	28VDC	48VDC	110VDC
Voltage Range	10 - 12	19 - 24	22 - 28	33 - 48	85 - 100
Max. Input Voltage	17V	32V	37V	62V	145V
2601 - ALL VERSIONS					
Power Consumption	2W max.				
Setpoint Stability	$\pm 0.5\%$ of setpoint				
Dead Band	2% or less				
Polarity Protection	DC versions only				
Trip Response	0.5 second fixed (± 0.1 second)				
Reset Time	0.1 second				
Output Contacts	SPDT 10A at 240VAC resistive				
Expected Relay Life	Mech: 10 million operations Elec: 100,000 at rated load				
Operating Temp	-20° to $+122^{\circ}$ F				
Humidity Tolerance	97% w/o condensation				
Mounting	8-pin socket *(order separately)				
Enclosure Material	ABS plastic				
Weight	5 oz.				

* Order 8-pin socket number **51X120**

Main (918) 438-1220
Sales (800) 862-2875



10/2013
© 2013 TIME MARK CORPORATION

TIME MARK is a division of  AEMT, Inc.

MODEL 2601 Voltage Sensor

READ ALL INSTRUCTIONS BEFORE INSTALLING, OPERATING OR SERVICING THIS DEVICE.
KEEP THIS DATA SHEET FOR FUTURE REFERENCE.

GENERAL SAFETY

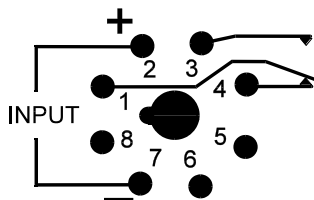
POTENTIALLY HAZARDOUS VOLTAGES ARE PRESENT AT THE TERMINALS OF THE MODEL 2601.
ALL ELECTRICAL POWER SHOULD BE REMOVED WHEN CONNECTING OR DISCONNECTING WIRING.
THIS DEVICE SHOULD BE INSTALLED AND SERVICED BY QUALIFIED PERSONNEL.

Installation Instructions

INSTALLATION

The Model 2601 is a socket-mounted voltage sensing relay. The pin configuration diagram, below and on the unit, shows the contacts in the power off or tripped condition. Connect the wiring to the socket as shown in the Typical Application Diagram. **Observe the proper polarity of the input voltage for DC models.**

PIN DIAGRAM



ADJUSTMENT PROCEDURE

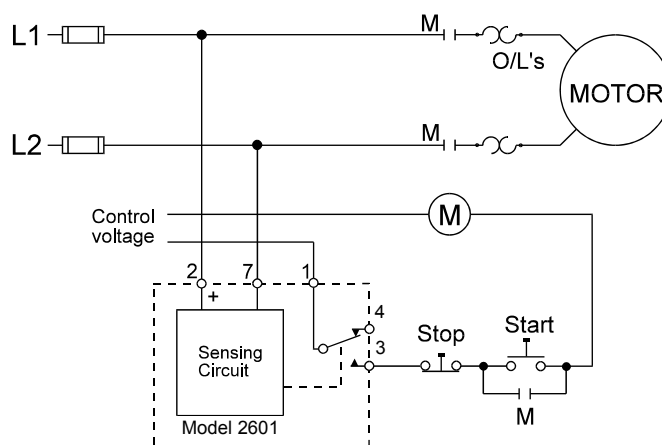
NOTE: When adjusting the Model 2601 you may wish to jumper the control circuit contacts to prevent tripping the load on and off. A variable voltage source and a digital voltmeter provide the most accurate means of calibrating the trip point.

For under voltage sensing, slowly rotate the adjustment pot counter clockwise until the indicator light just illuminates and the contacts transfer. Any voltage below this level will now trip the relay.

A reasonably accurate voltage setting can be obtained by using only the operating line voltage. Apply the voltage and follow the adjustment procedure above. Any voltage approximately 2% to 4% below the nominal voltage will now trip the relay. To prevent nuisance tripping you may need to turn the adjustments slightly lower as needed.

NOTE: When installing the Model 2601 in areas of high humidity or contamination, the base area and all exposed metal parts of the socket should be coated with a good quality silicone grease such as Dow Corning* DC-4 or DC-4x. Insert the relay into the socket and wipe off excess grease from around the base. This will help prevent moisture and other contaminants from entering the base and socket areas.

TYPICAL APPLICATION



Shows No Power Applied


WARRANTY

This product is warranted to be free from defects in materials and workmanship, and is covered by our exclusive **5-year Unconditional Warranty**. Should this device fail to operate for any reason, we will repair it for five years from the date of manufacture. For complete warranty details, see the *Terms and Conditions of Sales* page in the front section of the Time Mark catalog or contact Time Mark at 1-800-862-2875.

Main (918) 438-1220
Sales (800) 862-2875



10/2013
© 2013 TIME MARK CORPORATION

TIME MARK is a division of  AEMT, Inc.