



- High power LED cluster
- Built-in Flasher
- 80 FPM
- CE Compliant
- 24 VDC/AC, 120 VAC, and 240 VAC
- 100,000 hour lamp life
- 56 mm (2.2") diameter
- IP 56
- Factory assembled
- 80 db Optional Sounder

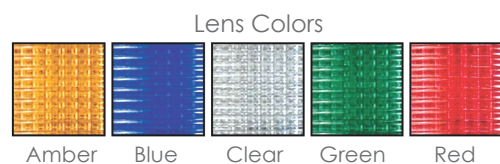
LED MICROSTACK™ Stackable Modules

The Tomar model PRE-F Microstack is a flashing or steady burning modular light tower. It is ideally suited for machine-status or process control signaling applications. Consisting of a long life, high-output, and vibration resistant LED lamp cluster, the PRE-F is designed to increase productivity and greatly reduce maintenance costs. The unique prism-cut lens design assures superior light diffusion and greater lens fill.

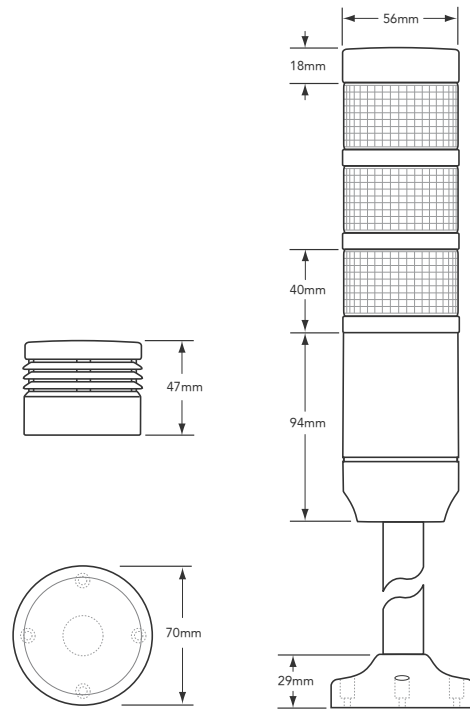
The model PRE-F is available from one to five-high configuration and in 24 VDC/AC, 120 VAC, and 240 VAC versions.

With the built-in Flasher, each light module can be individually controlled for Flashing or Steady-on mode. An optional 80 dB Sounder is available which can be Factory installed or easily added later.

Pre-wired and pre-assembled, each unit is ready for installation right out of the box. If required, the lenses can be separated without tools by simply twisting and pulling them apart.



LED MICROSTACK



Ordering Information

Model Description	Voltage	Amp Draw
PRE-F-1-024 LED Microstack, 1-High	24 VCD/AC	28 mA
PRE-F-1-120 LED Microstack, 1-High	120 VAC	25 mA
PRE-F-1-240 LED Microstack, 1-High	240 VAC	25 mA
PRE-F-2-024 LED Microstack, 2-High	24 VCD/AC	62 mA
PRE-F-2-120 LED Microstack, 2-High	120 VAC	57 mA
PRE-F-2-240 LED Microstack, 2-High	240 VAC	57 mA
PRE-F-3-024 LED Microstack, 3-High	24 VCD/AC	102 mA
PRE-F-3-120 LED Microstack, 3-High	120 VAC	91 mA
PRE-F-3-240 LED Microstack, 3-High	240 VAC	91 mA
PRE-F-4-024 LED Microstack, 4-High	24 VCD/AC	136 mA
PRE-F-4-120 LED Microstack, 4-High	120 VAC	124 mA
PRE-F-4-240 LED Microstack, 4-High	240 VAC	124 mA
PRE-F-5-024 LED Microstack, 5-High	24 VCD/AC	169 mA
PRE-F-5-120 LED Microstack, 5-High	120 VAC	155 mA
PRE-F-5-240 LED Microstack, 5-High	240 VAC	155 mA

Specifications

Item	Description
Lamp Type	LED
Lamp Life	100,000 hours
Flash Rate	80 flashes per minute
Sounder	80 db @ 1m
Net weight	1 high - .9 lbs. 2 high - 1.1 lbs 3 high - 1.3 lbs 4 high - 1.5 lbs 5 high - 1.7 lbs

Accessories

Item	Description
MAP-0022	Pole, 22 mm
MAP-N033	Pole, 33 mm with 1/2" NPT threads
MAP-M043	Pole, 43 mm with M20 nuts
MAP-0240	Pole, 240 mm
MAP-M240	Pole, 240 mm with (2) M20 nuts
MAP-0750	Pole, 750 mm
MAP-M750	Pole, 750 mm with (2) M20 nuts
MAM-B070	Tulip base, 70 mm (2.75") diameter
MAM-DS25	Wall mount "L" bracket for M20 pole and nut
MAM-DS30	Wall mount bracket
MPZ56E	Sounder, 24 VDC/AC to 240 VAC