



APM Power Meter

For single-phase, split-phase & 3-phase mains networks

Advanced Panel Meter (APM)

Programmable dynamic backlight color



Warning flash

1%
Accuracy

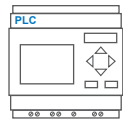
Combined digital and bar graph display



User configurable alarms



Programmable scale
Measure single-, split- and 3-phase



2 Digital Outputs
1 Analog Output

Less than 75mm deep



Front panel navigation buttons

Instantaneous:

- Voltage (L-L and L-N)
- Current (L-L and L-N)
- Reactive Power (VAR)
- Active Power (W)
- Apparent Power (VA)
- Frequency (Hz)
- Power Factor (PF)
- THD Voltage & Current
- % Max Load

Networks:

- Single phase, 2-wire
- Single phase, 3-wire (split-phase)
- 3-phase, 3-wire
- 3-phase, 4-wire



Modbus®
RTU Connectivity



USB port for custom user settings via the free easy-to-use software

Key Features

- For single-, split- and 3-phase applications.
- Measures Active (W), Reactive (VAR) and Apparent (VA) power.
- Displays electrical parameters on large, backlit LCD display.
- Features two independent opto-isolated digital outputs plus one analog 4-20mA output.
- Includes MODBUS® RTU communication as standard.
- Provides clear indication of electrical circuit performance.
- User-programmable scale and custom alarm messages display critical parameters and immediately alerts operators when a parameter is out of range.
- Programmable Current Transformer (CT) and Potential Transformer (PT) ratios.

Specifications

NETWORKS

1P2W, 1P3W, 3P3W, 3P4W,

MEASUREMENT

| | |
|---------------------------|----------------------------------|
| Frequency | 45 - 65 Hz |
| Voltage measurement range | L-L 0 - 600VAC L-N 0 - 300VAC |
| Programmable PT range | 1:1 to 1000:1 |
| Current measurement range | 0 - 5A |
| Programmable CT range | 1:1 to 1000:1 |
| Accuracy | 1% (THD 5%) of full scale |

ENVIRONMENTAL

| | |
|----------------------------|------------------------------------|
| Temperature - operating | -20 to +50°C |
| Temperature - storage | -40 to +70°C |
| IP rating (from the front) | IP65, NEMA type 4 and NEMA type 12 |

POWER SUPPLY

| | |
|------------------|---------------|
| Input | 100 - 240 VAC |
| Supply frequency | 50-60Hz |
| Max power | 2W |

DISPLAY

| | |
|------------------|-------------------|
| Backlight colors | Red, Green, White |
|------------------|-------------------|

DIGITAL OUTPUTS

| | |
|------------------|---------------|
| Number | 2 |
| Type | Opto-Isolated |
| Operating modes | Momentary |
| Max voltage | 24VDC |
| Max sink current | 15mA |

ANALOG OUTPUTS

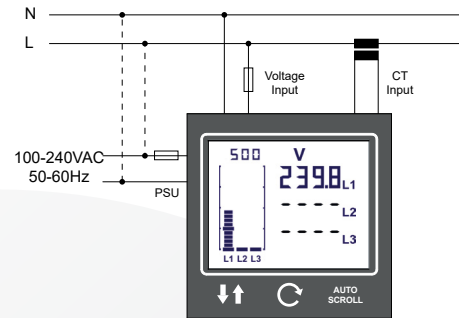
| | |
|---------------|--------|
| Number | 1 |
| Analog output | 4-20mA |

COMMUNICATION

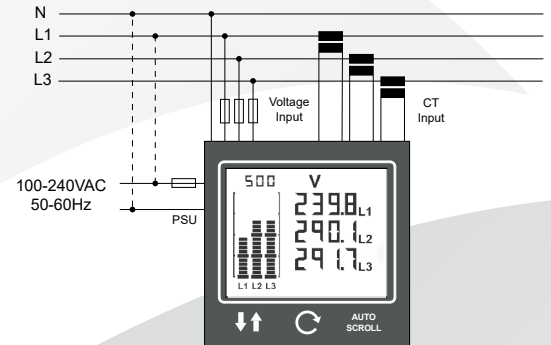
| | |
|---------------|---------------------------------------|
| CERTIFICATION | Modbus® RTU CE, RoHS, UL (pending) |
|---------------|---------------------------------------|

Wiring Diagrams and Isolation

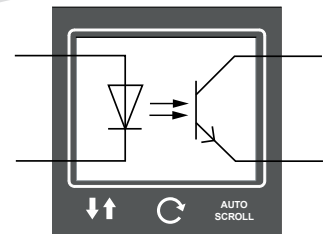
Single phase 2-wire (1P2W)



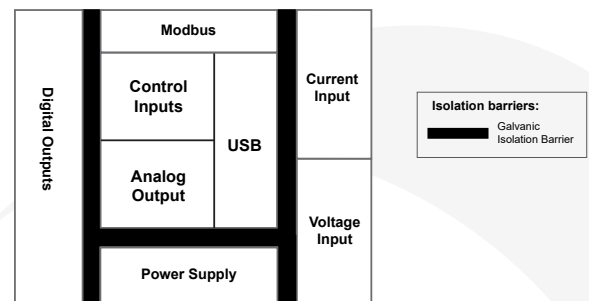
3 phase 3-wire (3P3W)



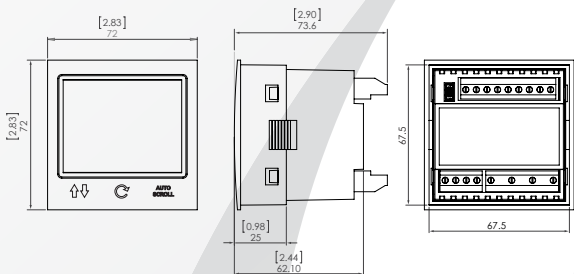
Control Outputs



Isolation



Dimensions:



Panel Cutout:
68mm x 68mm
[2.68" x 2.68"] as per
DIN43700/IEC61554

Part Numbers

| | |
|-------------|-------------------------------|
| APM-PWR-APO | APM Power Meter, Positive LCD |
| APM-PWR-ANO | APM Power Meter, Negative LCD |
| APM-PWR-XXX | Custom Option |