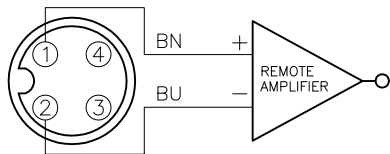
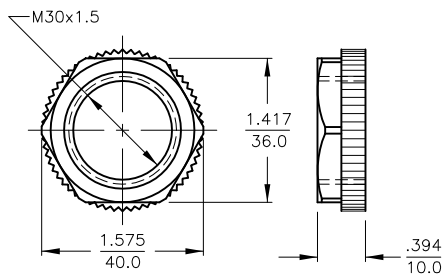


WIRING DIAGRAM



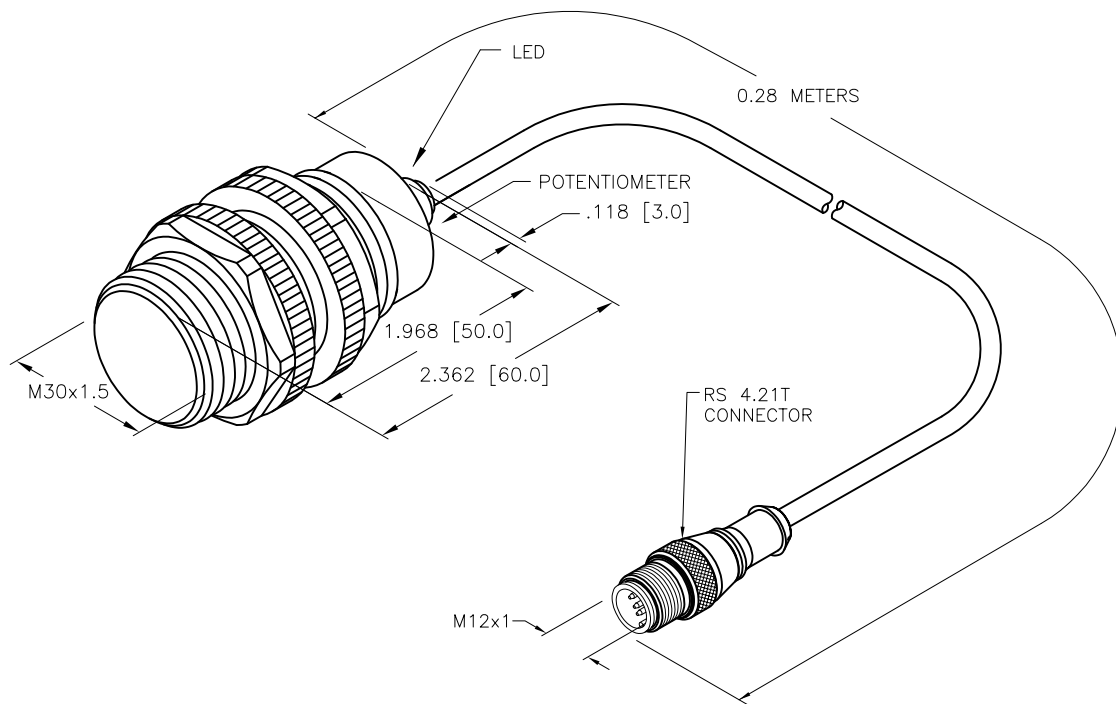
OUTPUT: Y1X

LOCKNUT LN-P30



SPECIFICATIONS

RATED OPERATING DISTANCE	10mm = .394" (FLUSH MOUNTED)
RATED OPERATING DISTANCE	15mm = .591" (NON-FLUSH MOUNTED)
REPEATABILITY	≤ 2%
TEMPERATURE DRIFT	≤ ± 20%
HYSTERESIS	1-20%
AMBIENT TEMPERATURE	-25°C to +70°C (-13°F to +158°F)
OPERATING VOLTAGE	8.2 VDC
NON-ACTUATED CURRENT CONSUMPTION	≤ 1.2 mA
ACTUATED CURRENT CONSUMPTION	≥ 2.1 mA
SWITCHING FREQUENCY	≤ 0.1 kHz
OUTPUT FUNCTION	2-WIRE, NAMUR
APPROVAL ACCORDING TO:	KEMA 02 ATEX 1090X
INTERNAL INDUCTANCE (L <sub>i</sub> )/CAPACITANCE (C <sub>i</sub> )	150 nF/150 μH
MARKING ON THE DEVICE	Ex II 2 G Ex ia IIC T6/ II 1 D Ex ia IIIC T 115°C (max. U <sub>i</sub> = 20 V, I <sub>i</sub> = 20 mA, P = 200 mW)
HOUSING MATERIAL	PLASTIC, PA12-GF30
ACTIVE FACE MATERIAL	PLASTIC, PA12-GF30
CABLE	ø5.2, PVC
SHOCK RESISTANCE	30 g, 11 ms
VIBRATION RESISTANCE	55 Hz, 1 mm AMPLITUDE (IN ALL 3 PLANES)
DEGREE OF PROTECTION	IP67
SWITCHING STATUS INDICATION	LED; YELLOW



SOURCE DRAWING - FOR REFERENCE ONLY

RELATED DOCUMENTS 1. 2. 3. 4.	3RD ANGLE PROJECTION 	THIS DRAWING IS CONFIDENTIAL AND THE PROPERTY OF TURCK INC. USE OF THIS DOCUMENT WITHOUT WRITTEN PERMISSION IS PROHIBITED.		3000 CAMPUS DRIVE MINNEAPOLIS, MN 55441 1-800-544-7769 (763) 553-7300 (763) 553-0708 fax www.turck.us	
	MATERIAL	DRFT RDS	DATE 05/15/08	DESCRIPTION BC10-S30-Y1X-0.28M-RS4.21T	
FINISH	ALL DIMENSIONS DISPLAYED ON THIS DRAWING ARE FOR REFERENCE ONLY	APVD	SCALE 1=1.5	IDENTIFICATION NO. 2010084	
B	UPDATE ID NUMBER PER HARMONIZATION PROJECT	CBM	11/06/17	REV B	
REV	DESCRIPTION	BY	DATE	ECO NO.	DO NOT SCALE THIS DRAWING
				UNIT OF MEASUREMENT <b>INCH [ MILLIMETER ]</b>	FILE: 2010084
				CONTACT TURCK FOR MORE INFORMATION	SHEET 1 OF 1