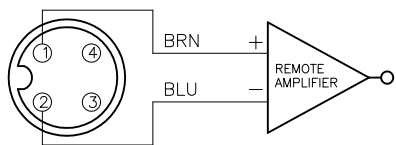


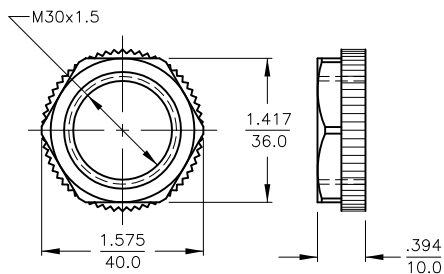
WIRING DIAGRAM



OUTPUT: Y1X

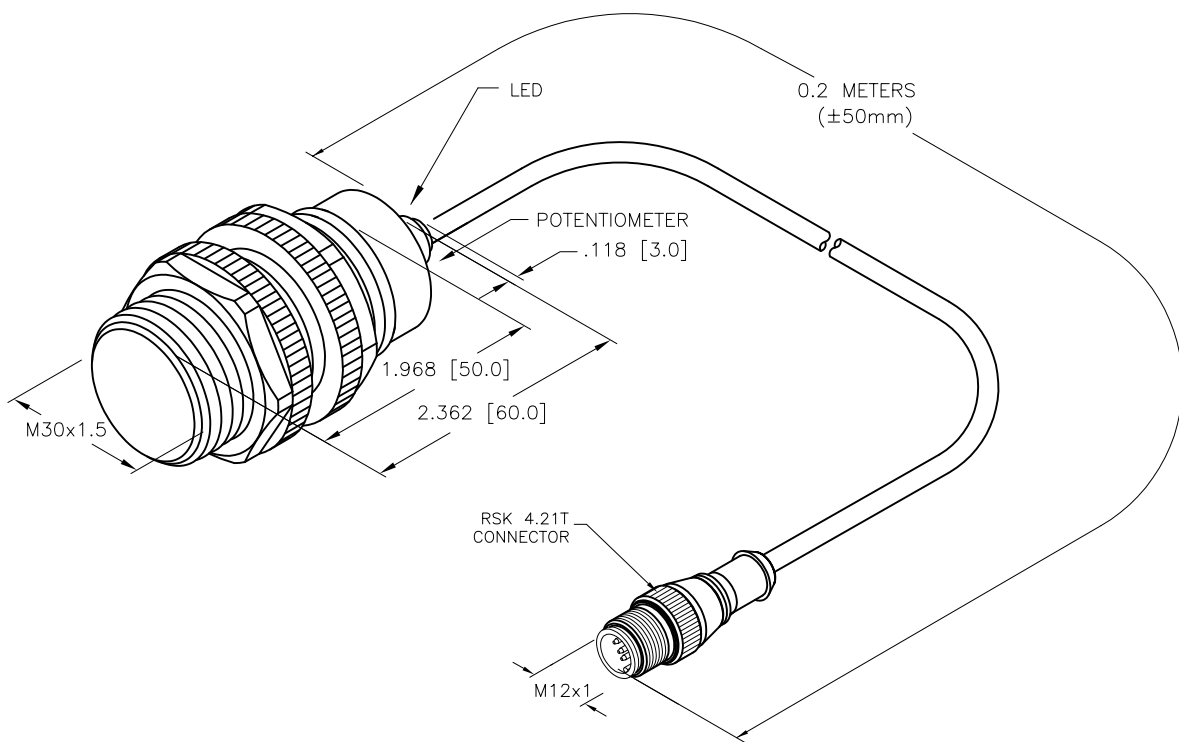
SHORT-CIRCUIT AND OVERLOAD PROTECTED

LOCKNUT LN-P30



SPECIFICATIONS

RATED OPERATING DISTANCE	10mm = .394" (FLUSH MOUNTED)
RATED OPERATING DISTANCE	15mm = .591" (NON-FLUSH MOUNTED)
REPEATABILITY	≤ 2%
TEMPERATURE DRIFT	≤ ± 20%
HYSTERESIS	1-20%
AMBIENT TEMPERATURE	-25°C to +70°C (-13°F to +158°F)
OPERATING VOLTAGE	8.2 VDC
NON-ACTUATED CURRENT CONSUMPTION	≤ 1.2 mA
ACTUATED CURRENT CONSUMPTION	≥ 2.1 mA
SWITCHING FREQUENCY	≤ 0.1 kHz
OUTPUT FUNCTION	2-WIRE, NAMUR
APPROVAL ACCORDING TO:	KEMA 02 ATEX 1090X
INTERNAL INDUCTANCE (L <sub>i</sub> )/CAPACITANCE (C <sub>i</sub> )	150 nF/150 μH
MARKING ON THE DEVICE	Ⓔ II 1 G EEx ia IIC T4/II 1 D T 115°C IP67 (max. U <sub>i</sub> = 20 V, I <sub>i</sub> = 20 mA, P = 200 mW)
HOUSING MATERIAL	PLASTIC, PA12-GF30
ACTIVE FACE MATERIAL	PLASTIC, PA12-GF30
CABLE	∅5.2, PVC
SHOCK RESISTANCE	30 g, 11 ms
VIBRATION RESISTANCE	55 Hz, 1 mm AMPLITUDE (IN ALL 3 PLANES)
DEGREE OF PROTECTION	IP67
SWITCHING STATUS INDICATION	LED; YELLOW



SOURCE DRAWING - FOR REFERENCE ONLY

RELATED DOCUMENTS		3RD ANGLE PROJECTION		THIS DRAWING IS CONFIDENTIAL AND THE PROPERTY OF TURCK INC. USE OF THIS DOCUMENT WITHOUT WRITTEN PERMISSION IS PROHIBITED.		3000 CAMPUS DRIVE MINNEAPOLIS, MN 55441 1-800-544-7769 (763) 553-7300 (763) 553-0708 fax www.turck.us	
1. 2. 3. 4.				DRFT NF		DATE 02/23/17	
MATERIAL		ALL DIMENSIONS DISPLAYED ON THIS DRAWING ARE FOR REFERENCE ONLY		APVD		SCALE 1=1.5	
FINISH		CONTACT TURCK FOR MORE INFORMATION		UNIT OF MEASUREMENT <b>INCH [ MILLIMETER ]</b>		DESCRIPTION BC10-S30-Y1X-0.2M-RSK 4.21T	
B UPDATE ID NUMBER PER HARMONIZATION PROJECT		CBM 11/06/17		DO NOT SCALE THIS DRAWING		IDENTIFICATION NO. 2010097	
REV DESCRIPTION		BY DATE ECO NO.		FILE: 2010097		REV B	

B	UPDATE ID NUMBER PER HARMONIZATION PROJECT	CBM	11/06/17	
REV	DESCRIPTION	BY	DATE	ECO NO.