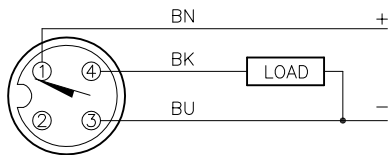
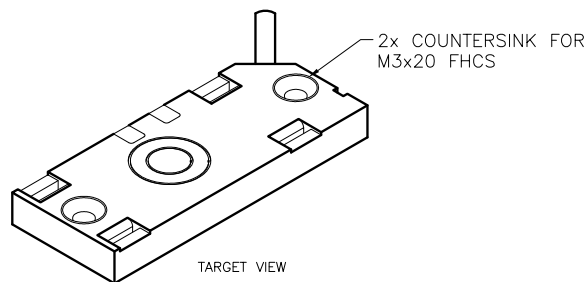
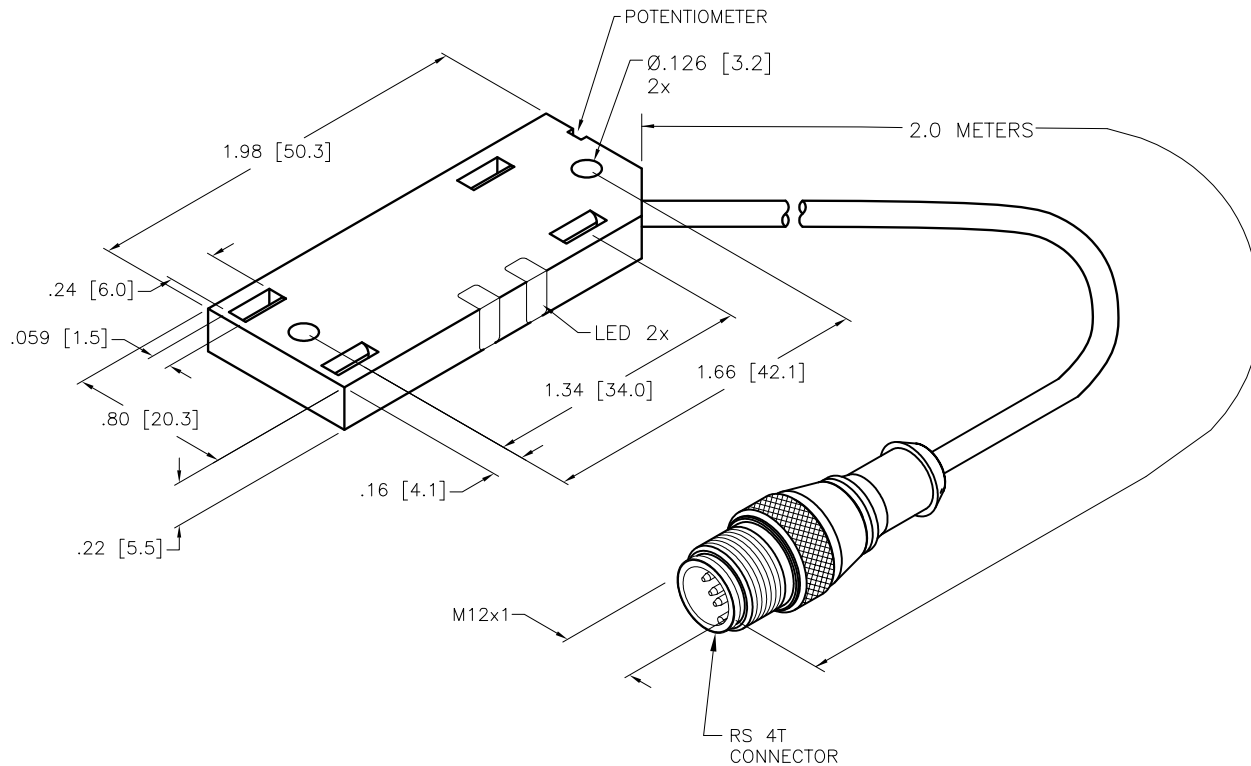


WIRING DIAGRAM



OUTPUT: AP6X2

SHORT-CIRCUIT AND OVERLOAD PROTECTED



SPECIFICATIONS

|                              |   |
|------------------------------|---|
| RATED OPERATING DISTANCE     | 10mm = .394" (FLUSH MOUNT)              |
| RATED OPERATING DISTANCE     | 10mm = .394" (NON-FLUSH MOUNT)          |
| TEMPERATURE DRIFT            | ≤ ±20%                                  |
| HYSTERESIS                   | 2-20%                                   |
| MIN. REPEAT ACCURACY         | ≤ 2%                                    |
| OPERATING TEMPERATURE        | -25°C to +70°C (-13°F to +158°F)        |
| RATED OPERATIONAL VOLTAGE    | 10-30 VDC                               |
| RESIDUAL RIPPLE              | ≤10%                                    |
| DC RATED OPERATIONAL CURRENT | ≤ 200 mA                                |
| NO-LOAD CURRENT              | ≤ 15 mA                                 |
| RESIDUAL CURRENT             | ≤ 0.1 mA                                |
| MAX. SWITCHING FREQUENCY     | ≤ 0.1 kHz                               |
| RATED INSULATION VOLTAGE     | ≤ 0.5 kV                                |
| OUTPUT FUNCTION              | NORMALLY OPEN, 3-WIRE, pnp              |
| SHORT-CIRCUIT PROTECTED      | YES                                     |
| MAX. VOLTAGE DROP            | ≤ 1.8 V                                 |
| REVERSE POLARITY PROTECTION  | INCORPORATED                            |
| WIRE-BREAK PROTECTION        | INCORPORATED                            |
| HOUSING MATERIAL             | PLASTIC, PP                             |
| ACTIVE FACE                  | PLASTIC, PP                             |
| CABLE                        | ø3.0, TPU                               |
| SHOCK                        | 30 g, 11 ms                             |
| VIBRATION                    | 55 Hz, 1 mm AMPLITUDE (IN ALL 3 PLANES) |
| DEGREE OF PROTECTION         | IP67                                    |
| OPERATING VOLTAGE DISPLAY    | LED: GREEN                              |
| SWITCHING STATUS INDICATION  | LED: YELLOW                             |

SOURCE DRAWING - FOR REFERENCE ONLY

|   |                          |  |        |  |                              |
|---|--------------------------|--|--------|--|------------------------------|
| RELATED DOCUMENTS<br>1.<br>2.<br>3.<br>4.                       | 3RD ANGLE PROJECTION<br> | THIS DRAWING IS CONFIDENTIAL AND THE PROPERTY OF TURCK INC. USE OF THIS DOCUMENT WITHOUT WRITTEN PERMISSION IS PROHIBITED. |        | 3000 CAMPUS DRIVE<br>MINNEAPOLIS, MN 55441<br>1-800-544-7769<br>(763) 553-7300<br>(763) 553-0708 fax<br>www.turck.us |                              |
|   |                          | MATERIAL<br>SEE SPECIFICATIONS   | FINISH | DRFT NF<br>APVD  | DATE 02/17/17<br>SCALE 1=1.0 |
| ALL DIMENSIONS DISPLAYED ON THIS DRAWING ARE FOR REFERENCE ONLY |                          | UNIT OF MEASUREMENT<br><b>INCH [ MILLIMETER ]</b>  |        | IDENTIFICATION NO.<br>26201971   |                              |
| CONTACT TURCK FOR MORE INFORMATION                              |                          | DO NOT SCALE THIS DRAWING  |        | REV<br>B   |                              |
| B UPDATE ID NUMBER PER HARMONIZATION PROJECT<br>REV DESCRIPTION |                          | CBM 12/21/17<br>BY DATE ECO NO.  |        | FILE: 26201971<br>SHEET 1 OF 1   |                              |